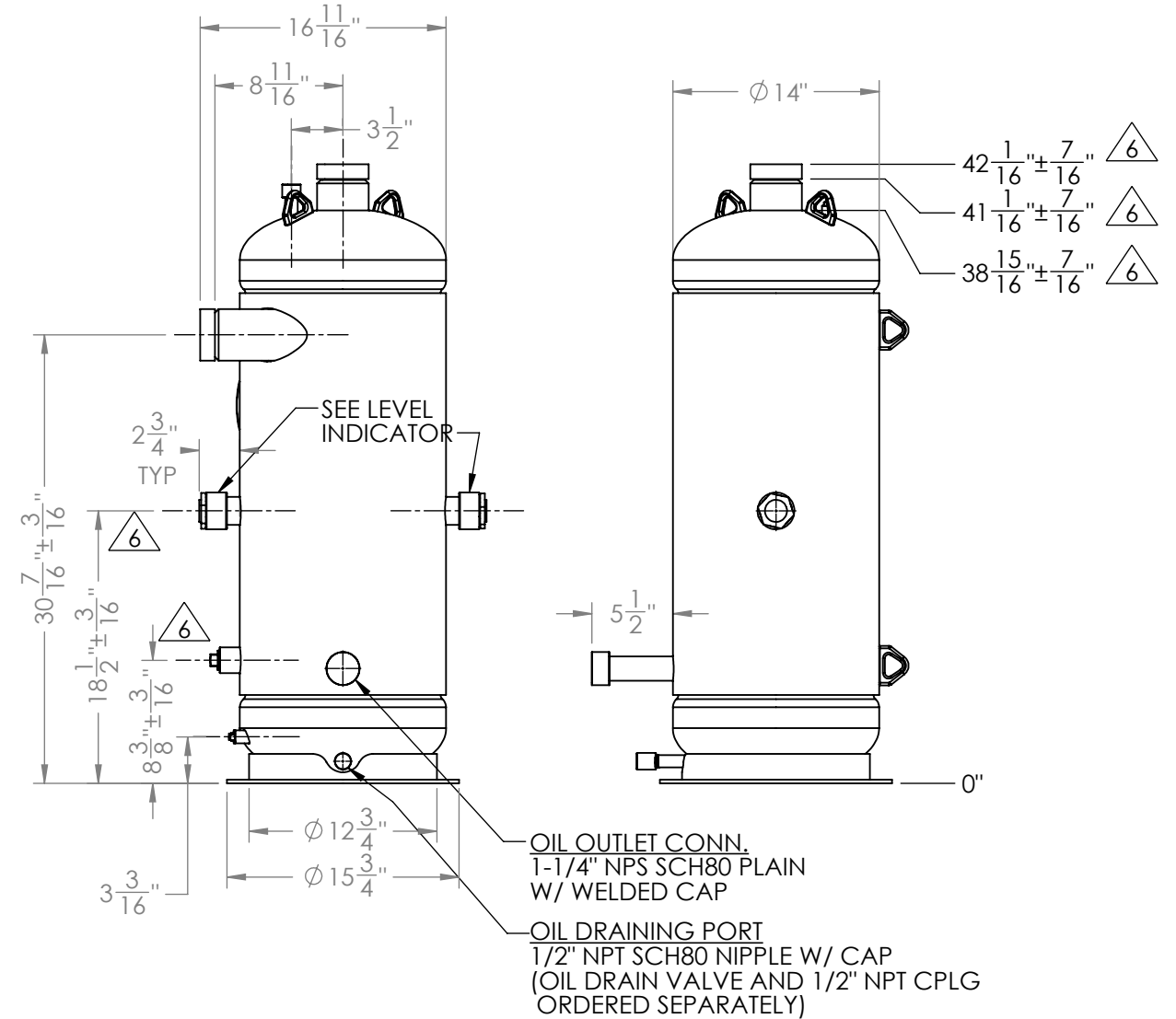
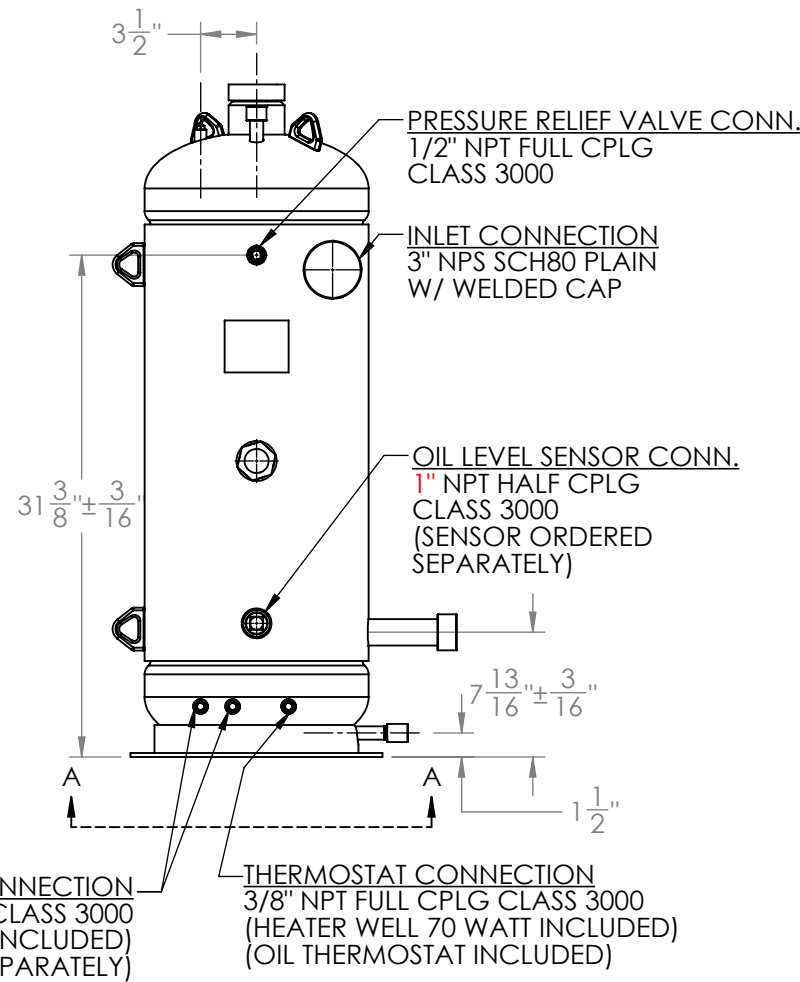
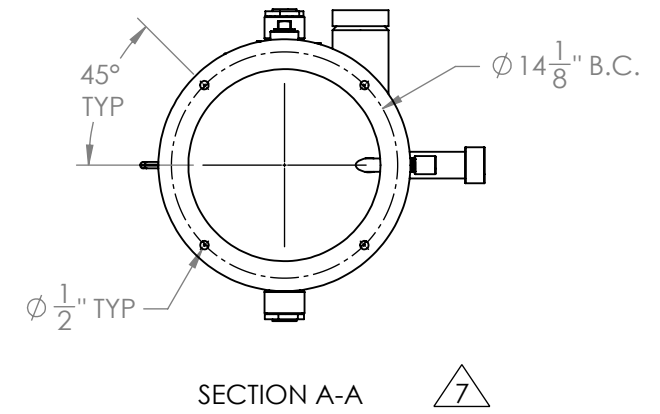
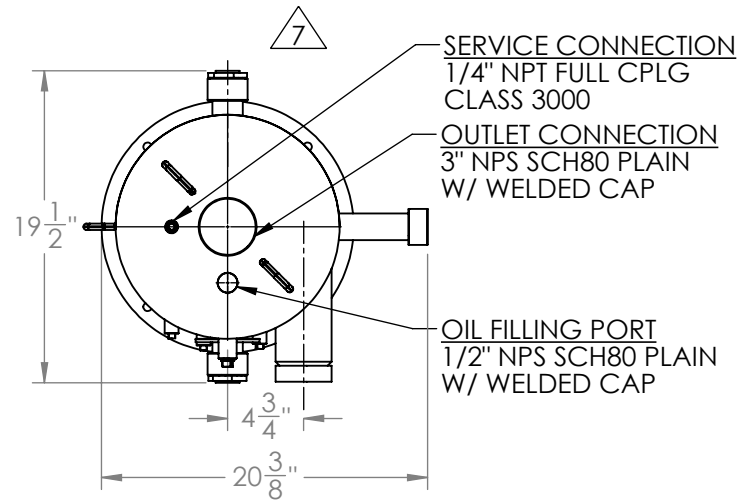


Approval: \_\_\_\_\_  
Customer Signature Required Upon Order

Customer Company Name: \_\_\_\_\_

1. Shell Side:
  - Max. Allowable Work Pressure: 450psi @ 250F
  - Min. Design Metal Temp.: -20F @ 450psi
  - Capacity: 2.98 ft<sup>3</sup>
  - Type of Fluid (Non-lethal): R717(NH<sub>3</sub>)/OIL
  - Physical State of Fluid: LIQUID / VAPOR
  - Vessel Stamp: U
2. Manufacture vessel in accordance with ASME Sec VIII Div. 1 (Latest Version)
3. Part to be order separately:
  1. OIL DRAIN VALVE (OPT) - 263012000
  2. 1/2" NPT FULL COUPLING (OPT) - P000001977
  3. OIL HEATERS 140 WATT (2 REQ)
    - 120V - 892-1140-01
    - 230V - 892-1140-02
  4. OIL LEVEL SWITCH RELAY STYLE (1" MPT)
    - 115V - 791-9907-15
    - 230V - 791-9907-23
4. Parts that are included (shipped loose):
  1. HEATER WELL
    - 70 WATT (QTY. 1) - 345903-31
    - 140 WATT (QTY. 2) - 345906-02
  2. OIL THERMOSTAT (QTY. 1) - 860-5021-01



NO	REVISIONS (INDICATED BY $\Delta$ )	BY	DATE	JOB#
5	update 70W heater well part#; update Level indicator location	AC	2/1/2017	
6	Update Pressure and Dimensions	CT	5/24/2017	MATERIAL
7	Move and Label Views	DE	6/2/2017	

NAME	DATE
DRE	04/09/2014
APVD	

TITLE: APPROVAL DRAWING

SIZE: VESSEL NO. OA4188US-NH3 REV 07

SCALE: 1:12 SHIPPING WEIGHT: 254.22 lbs

**PROPRIETARY AND CONFIDENTIAL**  
THE INFORMATION CONTAINED IN THIS DRAWING IS THE SOLE PROPERTY OF BITZER US. ANY REPRODUCTION IN PART OR AS WHOLE WITHOUT THE WRITTEN PERMISSION OF BITZER US IS PROHIBITED.

VIEW CONVENTION  
THIRD ANGLE

BREAK SHARP EDGES  
THREADS TO BE CLASS 2  
DIM & TOL PER ANSI Y14.5M

INCHES	METRIC (MM)
.X ± .125	X.X ± 1
.XX ± .063	X.XX ± 0.5
.XXX ± .005	X.XXX ± 0.13

ANGULAR TOL ± 2°  
FRAC TOL ± 1/4  
1 INCH = 25.400000 MM