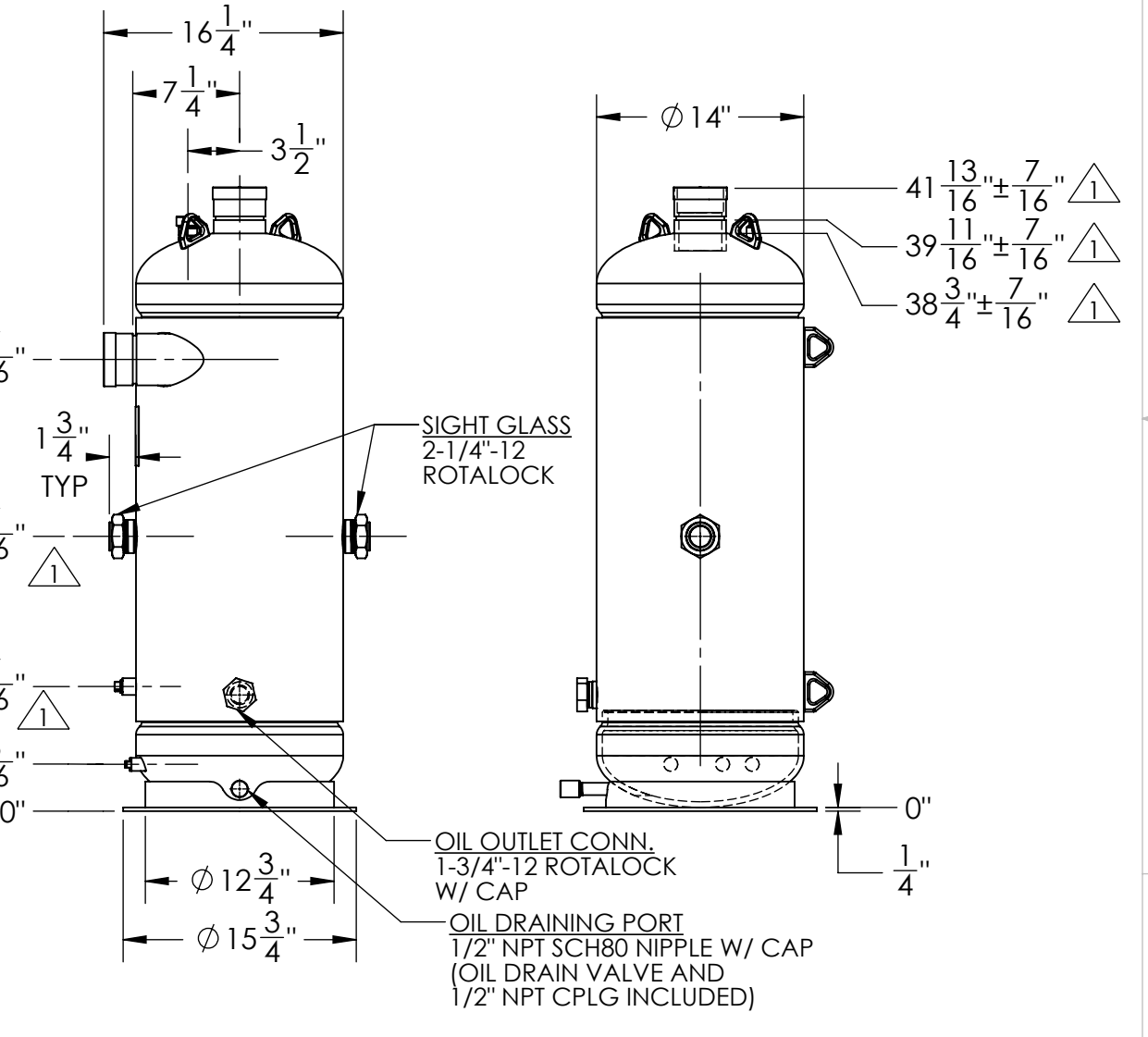
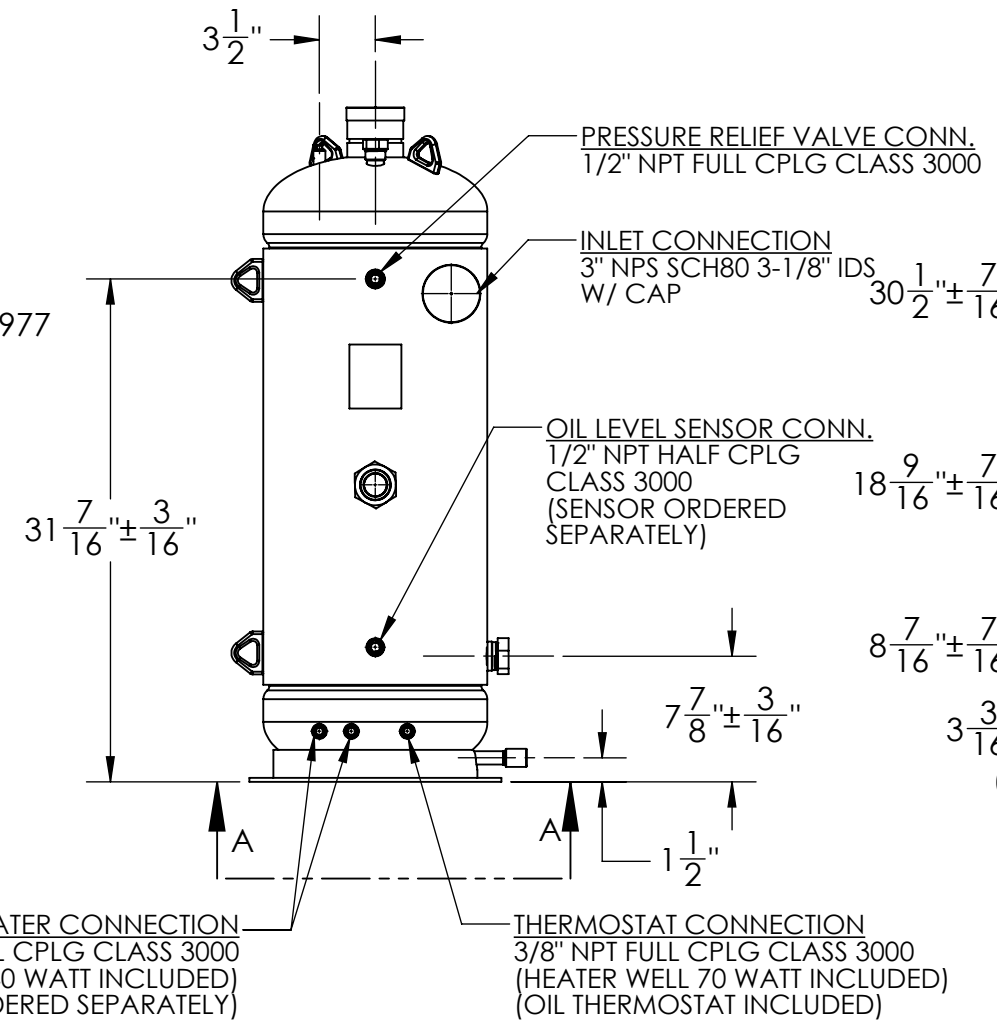
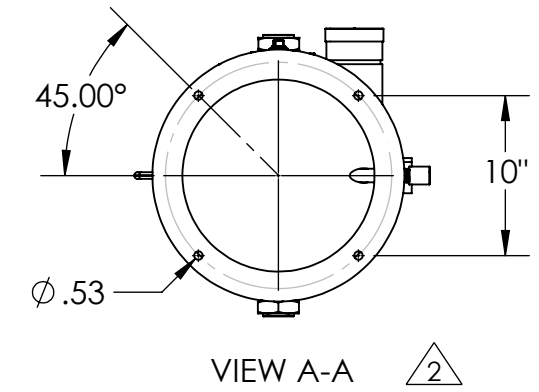
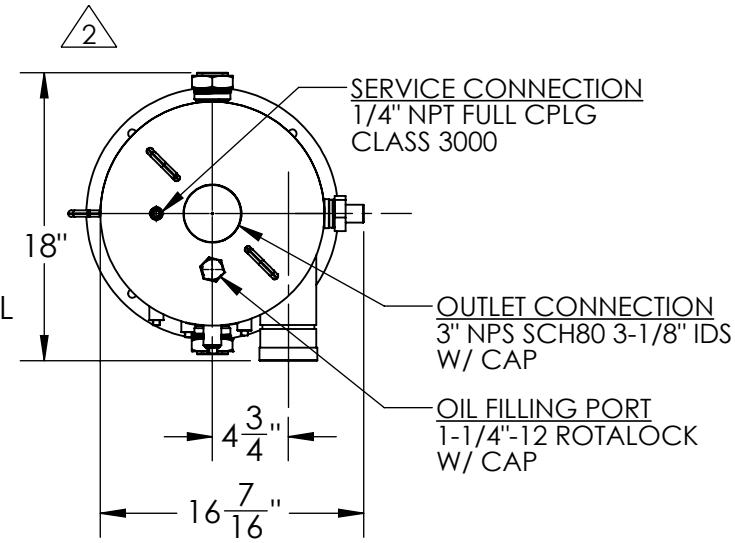


Approval: _____
 Customer Signature Required Upon Order

Customer Company Name: _____

1. Shell Side:
 - Max. Allowable Work Pressure: 450psi @ 250F
 - Min. Design Metal Temp.: -20F @ 450psi
 - Capacity: 2.87 ft3
 - Type of Fluid (Non-lethal): CFC, HFC, HCFC, OIL
 - Physical State of Fluid: LIQUID / VAPOR
 - Vessel Stamp: U
2. Manufacture vessel in accordance with ASME Sec VIII Div. 1 (Latest Version)
3. Parts to be ordered separately:
 1. OIL HEATERS 140 WATT (2 REQ)
 - 120V - 892-1140-01
 - 230V - 892-1140-02
 2. OIL LEVEL SWITCH RELAY STYLE (1/2"NPT)
 - 115V - 791-9906-15
 - 230V - 791-9906-23
4. Parts that are included (shipped loose):
 1. HEATER WELL
 - 70 WATT (QTY. 1) - 345906-05
 - 140 WATT (QTY. 2) - 308001-84
 2. OIL THERMOSTAT (QTY. 1) - 860-5021-01
 3. OIL DRAIN VALVE (OPT) - 540106050
 4. 1/2" NPT FULL COUPLING (OPT) - P000001977



NO	REVISIONS (INDICATED BY Δ)	BY	DATE	JOB#
0	ORIGINAL	QKT	9/18/2014	
1	Lengthned Shell, Change cxn locations	CT	5/23/2017	MATERIAL
2				
3				
4				
5				
6				

		TITLE: APPROVAL DRAWING	
		SIZE: VESSEL NO. OA4188US	REV: 02
SCALE: 1:12		SHIPPING WEIGHT: 245.43 lbs	

PROPRIETARY AND CONFIDENTIAL
 THE INFORMATION CONTAINED IN THIS DRAWING IS THE SOLE PROPERTY OF BITZER US. ANY REPRODUCTION IN PART OR AS WHOLE WITHOUT THE WRITTEN PERMISSION OF BITZER US IS PROHIBITED.

VIEW CONVENTION
 THIRD ANGLE

BREAK SHARP EDGES
 THREADS TO BE CLASS 2
 DIM & TOL PER ANSI Y14.5M

INCHES	X. ± 1
.X ± .125	METRIC X.X ± 0.5
.XX ± .063	X.XX ± 0.25
.XXX ± .005	X.XXX ± 0.13

ANGULAR TOL ± 2°
 FRAC TOL ± 1/4
 1 INCH = 25.400000 MM