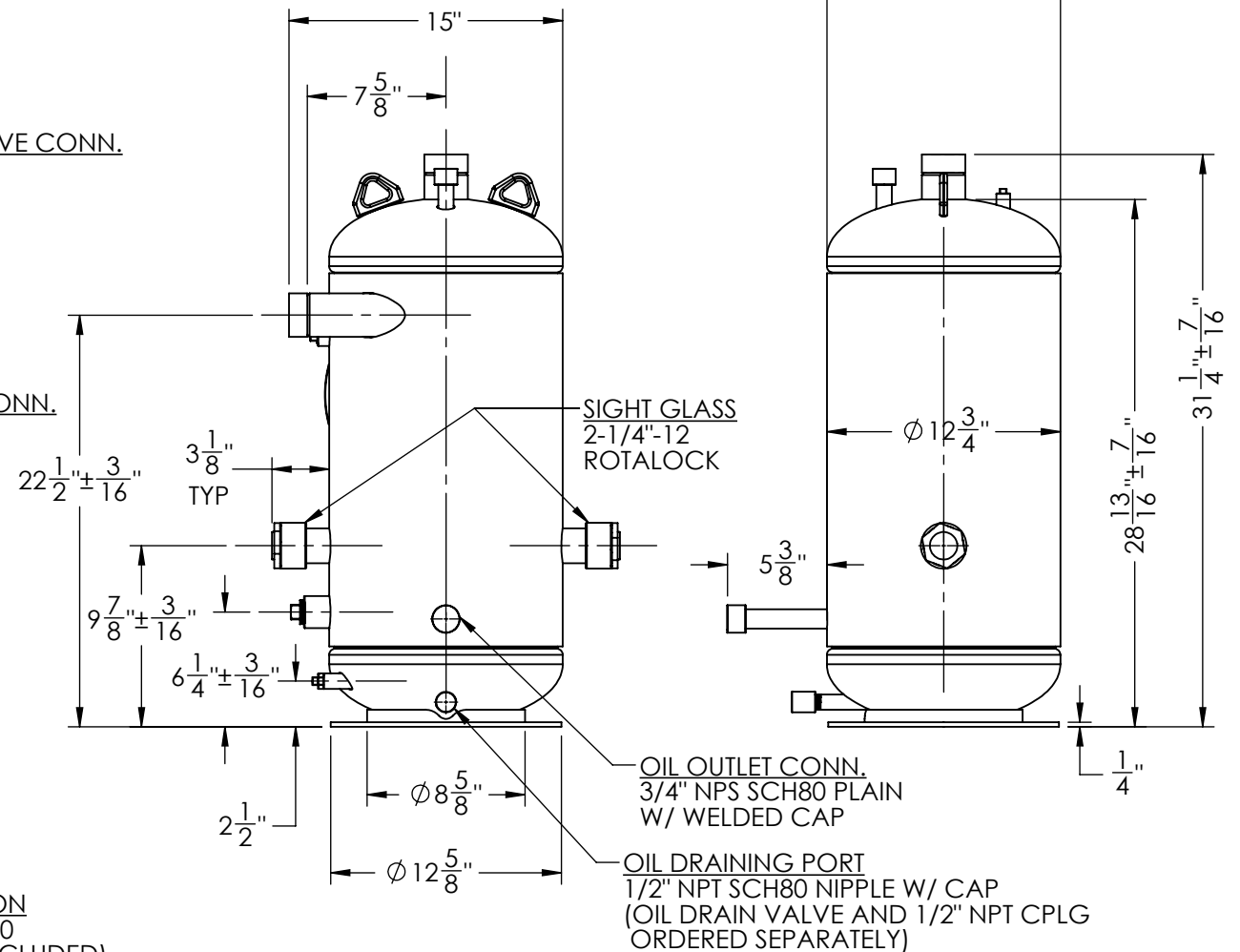
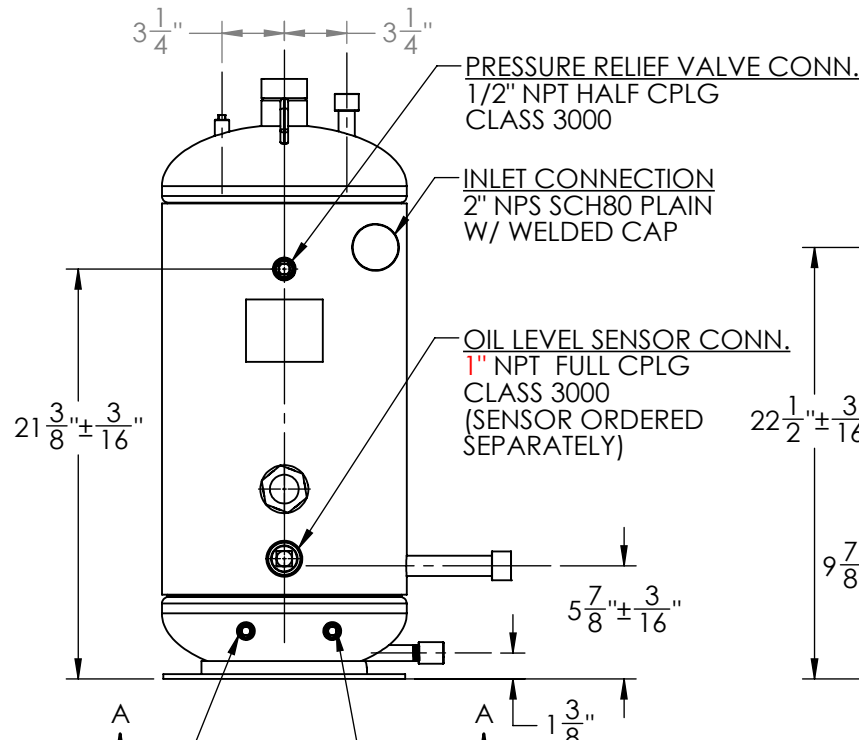
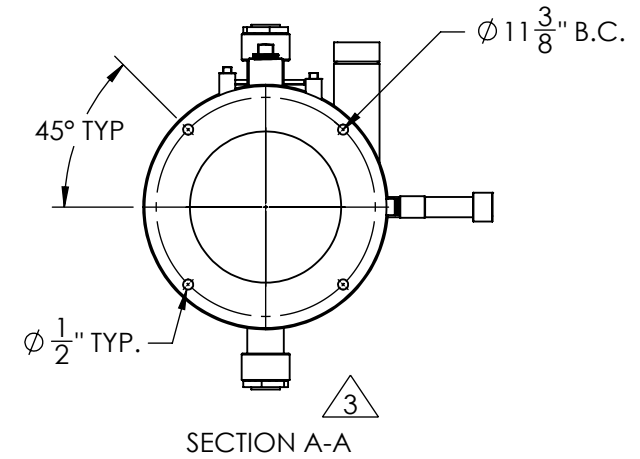
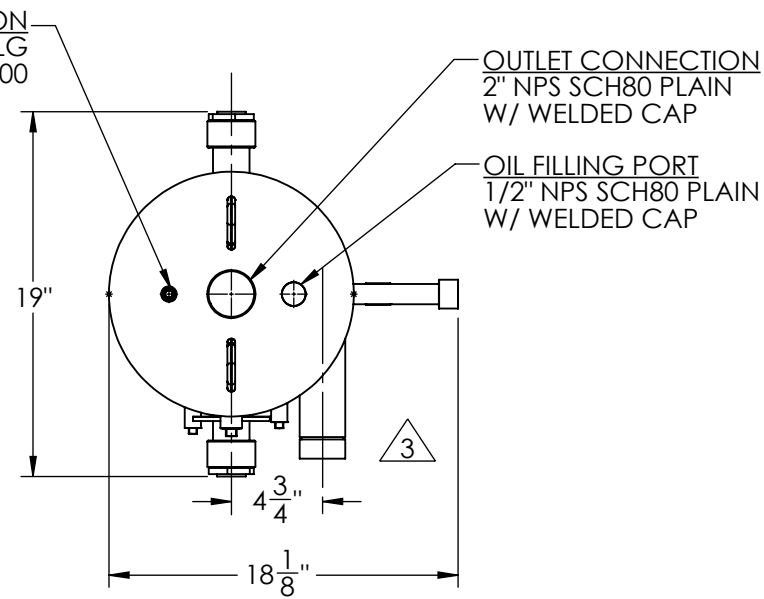


Approval: _____
 Customer Signature Required Upon Order

Customer Company Name: _____

1. Shell Side:
 - Max. Allowable Work Pressure: 406psi @ 250F
 - Min. Design Metal Temp.: -20F @ 406psi
 - Capacity: 1.86 ft³
 - Type of Fluid (Non-lethal): R717 (NH3)/OIL
 - Physical State of Fluid: LIQUID / VAPOR
 - Vessel Stamp: UM
2. Manufacture vessel in accordance with ASME Sec VIII Div. 1 (Latest Version)
3. Parts to be ordered separately:
 1. OIL DRAIN VALVE (OPT) - 263012000
 2. 1/2" NPT FULL COUPLING (OPT) - P000001977
 3. OIL HEATER 140 WATT (1 REQ)
 - 120V - 892-1140-01
 - 230V - 892-1140-02
 4. OIL LEVEL SWITCH RELAY STYLE (1" MPT)
 - 115V - 791-9907-15
 - 230V - 791-9907-23
4. Parts that are included (shipped loose):
 1. HEATER WELL
 - 70 WATT (QTY. 1) - 345903-31 2
 - 140 WATT (QTY. 1) - 345906-02
 2. OIL THERMOSTAT (QTY. 1) - 860-5021-01



NO	REVISIONS (INDICATED BY Δ)	BY	DATE	JOB#
0	Original	QKT	09/18/2014	
1	Add tolerance	AC	7/14/2015	MATERIAL
2	Update 70W heater well part#	AC	2/1/2017	
3	MOVED AND LABEL VIEWS	DE	6/1/2017	
4				DRAWN QKT 09/18/2014
5				CHECK
6				APVD

TITLE: **APPROVAL DRAWING**

SIZE B	VESSEL NO. OA1954US-NH3	REV 03
SCALE: 1:10		SHIPPING WEIGHT: 125.93 lbs

PROPRIETARY AND CONFIDENTIAL
 THE INFORMATION CONTAINED IN THIS DRAWING IS THE SOLE PROPERTY OF BITZER US. ANY REPRODUCTION IN PART OR AS WHOLE WITHOUT THE WRITTEN PERMISSION OF BITZER US IS PROHIBITED.

VIEW CONVENTION
THIRD ANGLE

ANGULAR TOL ± 2°
FRAC TOL ± 1/4
1 INCH = 25.400000 MM

BREAK SHARP EDGES
THREADS TO BE CLASS 2
DIM & TOL PER ANSI Y14.5M

INCHES	X. ± 1
.X ± .125	METRIC X.X ± 0.5
.XX ± .063	X.XX ± 0.25
.XXX ± .005	X.XXX ± 0.13