

Approval: \_\_\_\_\_  
Customer Signature Required Upon Order

Customer Company Name: \_\_\_\_\_

1. Shell Side:
- Max. Allowable Work Pressure: 406psi @ 250F
  - Min. Design Metal Temp.: -20F @ 406psi
  - Capacity: 1.77 ft<sup>3</sup>
  - Type of Fluid (Non-lethal): CFC, HCF, HCFC, OIL
  - Physical State of Fluid: LIQUID / VAPOR
  - Vessel Stamp: UM

2. Manufacture vessel in accordance with ASME Sec VIII Div. 1 (Latest Version)

3. Parts to be ordered separately:

- OIL HEATER 140 WATT (1 REQ)
  - 120V - 892-1140-01
  - 230V - 892-1140-02
- OIL LEVEL SWITCH RELAY STYLE (1/2" NPT)
  - 115V - 791-9906-15
  - 230V - 791-9906-23

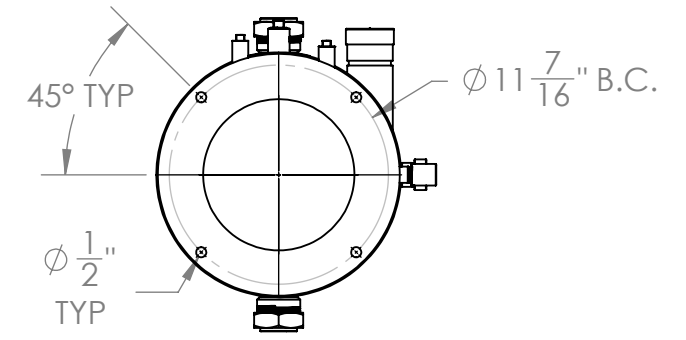
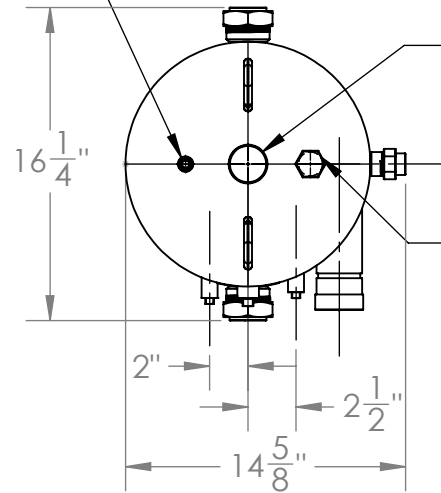
4. Parts that are included (shipped loose):

- HEATER WELL
  - 70 WATT (QTY. 1) - 345906-05
  - 140 WATT (QTY. 1) - 308001-84
- OIL THERMOSTAT (QTY. 1) - 860-5021-01
- OIL DRAIN VALVE (QTY. 1) - 540106050
- 1/2" NPT FULL COUPLING (QTY. 1) - P000001977

SERVICE CONNECTION  
1/4" NPT FULL CPLG  
CLASS 3000

OUTLET CONNECTION  
1-1/2" NPS SCH80 1-5/8" IDS  
W/ CAP

OIL FILLING PORT  
1-1/4"-12 ROTALOCK  
W/ CAP



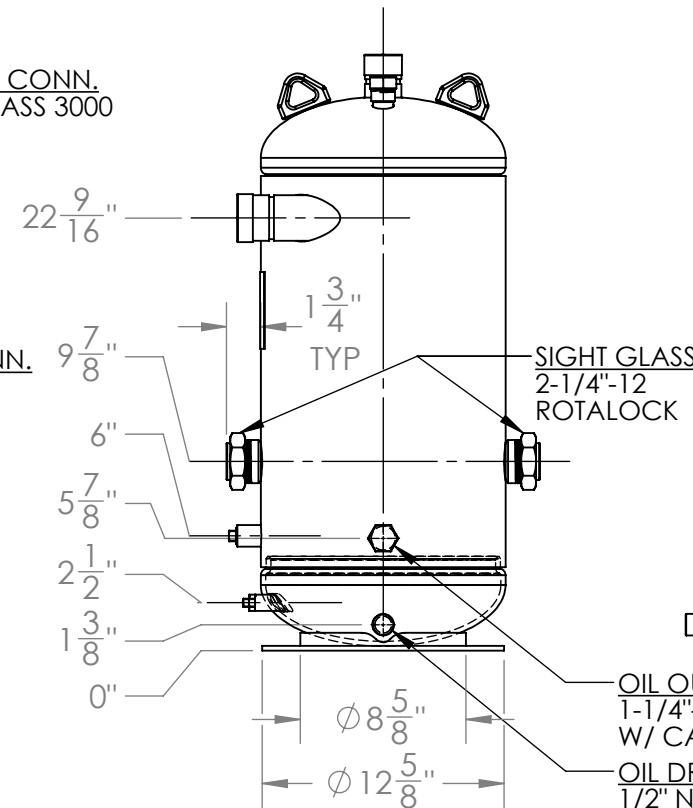
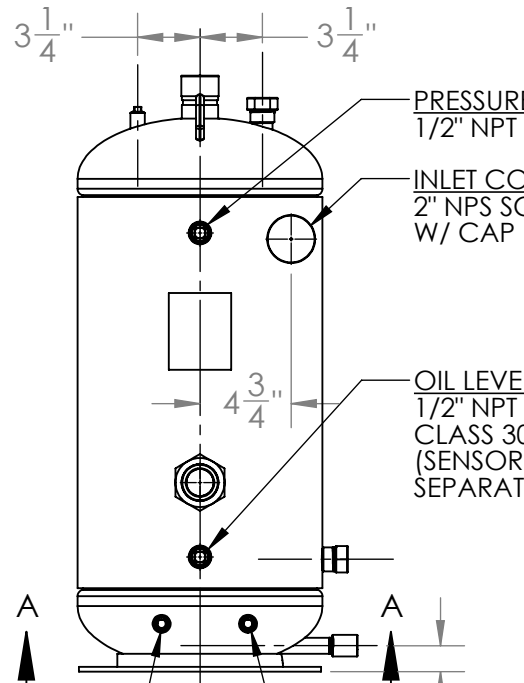
VIEW A-A

3 1/4" 3 1/4"

PRESSURE RELIEF VALVE CONN.  
1/2" NPT HALF CPLG CLASS 3000

INLET CONNECTION  
2" NPS SCH80 2-1/8" IDS  
W/ CAP

OIL LEVEL SENSOR CONN.  
1/2" NPT FULL CPLG  
CLASS 3000  
(SENSOR ORDERED  
SEPARATELY)



OIL OUTLET CONN.  
1-1/4"-12 ROTALOCK  
W/ CAP

OIL DRAINING PORT  
1/2" NPT SCH80 NIPPLE W/ CAP  
(OIL DRAIN VALVE AND  
1/2" NPT CPLG INCLUDED)

HEATER CONNECTION  
3/8" NPT FULL CPLG CLASS 3000  
(HEATER WELL 140 WATT INCLUDED)  
(OIL HEATER ORDERED SEPARATELY)

THERMOSTAT CONNECTION  
3/8" NPT FULL CPLG CLASS 3000  
(HEATER WELL 70 WATT INCLUDED)  
(OIL THERMOSTAT INCLUDED)

NO	REVISIONS (INDICATED BY Δ)	BY	DATE	JOB#
0	ORIGINAL	QKT	09/18/2014	
1	REDIMENSION - MOVED OIL MAKE UP ROTALOCK TO HEAD	DE	06/01/2017	MATERIAL
2				
3				
4				
5				
6				

		TITLE: <b>APPROVAL DRAWING</b>	
SIZE	VESSEL NO.	REV	
<b>B</b>	<b>OA1954US</b>	<b>02</b>	
SCALE: 1:10		SHIPPING WEIGHT: 121.07 lbs	

**PROPRIETARY AND CONFIDENTIAL**  
THE INFORMATION CONTAINED IN THIS DRAWING IS THE SOLE PROPERTY OF BITZER US. ANY REPRODUCTION IN PART OR AS WHOLE WITHOUT THE WRITTEN PERMISSION OF BITZER US IS PROHIBITED.

VIEW CONVENTION  
THIRD ANGLE  
ANGULAR TOL ± 2°  
FRAC TOL ± 1/4  
1 INCH = 25.400000 MM

BREAK SHARP EDGES  
THREADS TO BE CLASS 2  
DIM & TOL PER ANSI Y14.5M

INCHES	X.	± 1
	.XX	± 0.5
METRIC (MM)	X.XX	± 0.25
	X.XXX	± 0.13

NAME	DATE
DRAWN	09/18/2014
CHECK	
APVD	