

CALL 002
AMENDMENT NUMBER 01
STATE PROJECT NUMBER; S340-50-7.39 00
BUZZARD CREEK BR
PUTNAM COUNTY
REQUEST FOR PROPOSALS (RFP)

I hereby acknowledge the receipt of this amendment by checking the appropriate space in Section J of the Notice OR by attaching this Instruction for Revision(s) to the Contractor's Proposal. By signing this Proposal, I certify that I have made the necessary revision(s) to this Proposal, Plans, and/or Specifications or other applicable documents and have CONSIDERED the amendment(s) in the calculation of my bid. I further acknowledge that failure to confirm receipt of the amendment(s) will cause my bid to be rejected.

This amendment is necessary to revise the West Virginia Division of Highways Request for Proposals (RFP); Contractor's Bidding Proposal and Exhibits.

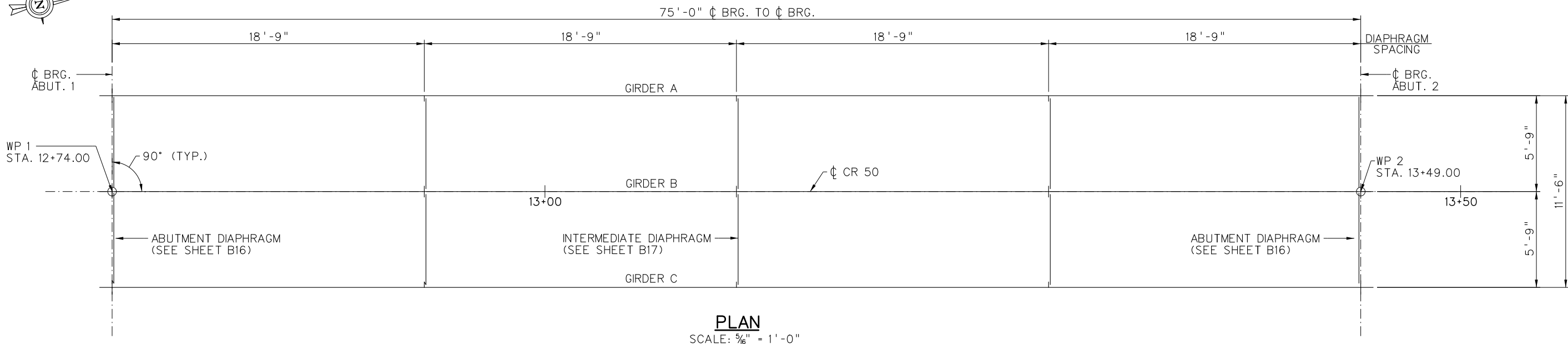
Plan Sheet(s):

The following Plan Sheet has been revised and is attached to this amendment.

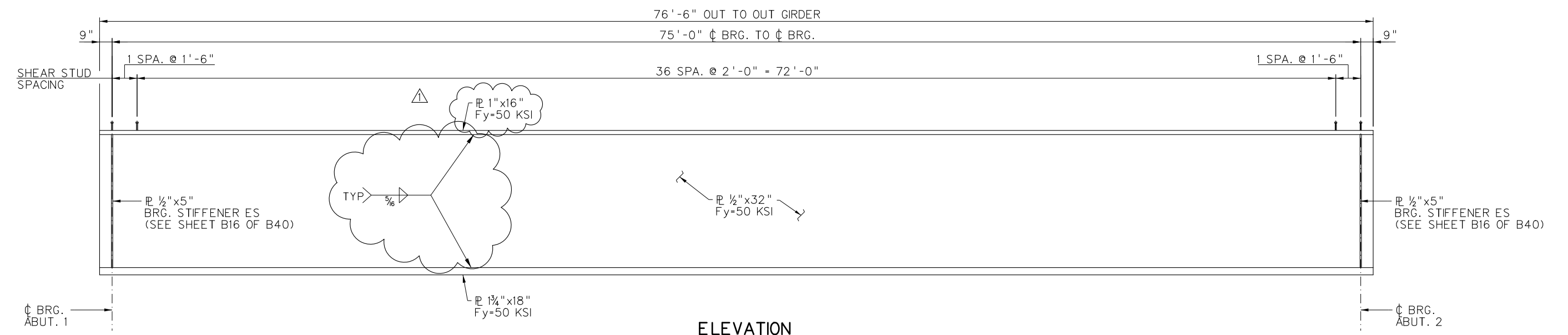
Plan Sheet 38.

PLEASE PRINT OUT THE ATTACHED AMENDMENT REVISIONS AND INSERT
THEM INTO YOUR PRINTED COPY.

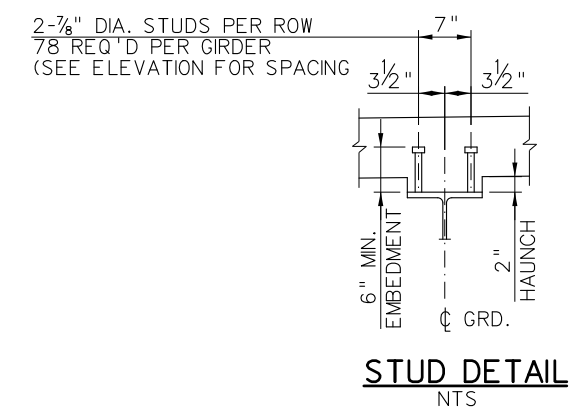
PUBLIC ROADS DIV.	STATE DIST. NO.	STATE PROJECT NO.	FEDERAL PROJECT NO.	FISCAL YEAR	COUNTY	SHEET NO.	TOTAL SHEETS
WV	01	S340-50-7.39.00		2020	PUTNAM	38	72



PLAN
SCALE: 3/8" = 1'-0"



ELEVATION
NTS



STUD DETAIL
NTS

- NOTES:
- FOR STEEL NOTES, SEE SHEET B18.
 - FOR ABUTMENT DIAPHRAGM DETAILS, SEE SHEET B16.
 - FOR INTERMEDIATE DIAPHRAGM DETAILS, SEE SHEET B17.
 - FOR STEEL DETAILS, SEE SHEET B18.

1	REVISED PLATE SIZE TO 1" x 16" ADDED WELD SIZE INFORMATION	1-8-2020	TTW
REVISION NUMBER	REVISION	DATE	BY

WV DEPARTMENT OF TRANSPORTATION
DIVISION OF HIGHWAYS
BUZZARD CREEK BRIDGE
OVER
TRACE FORK
FRAMING PLAN

DESIGNED GWG	DATE 02-18
DRAWN JCB	DATE 02-18
CHECKED GWG	DATE 02-18
CHECKED TTW	DATE 02-18

447 CALL ROAD
 SUITE 216
 CHARLESTON, WV 25312

SHEET B15	OF B40
BRIDGE NO.	11311

1/8/2020 1:01:16 PM SUBMISSION: 3-12-2018 PS&E
 \\SERVER-PC\scans\highways\West Virginia\DOH\Projects\14-200-08 Buzzard Creek Bridge\Drawings\FINAL DRAWINGS REVIEWED 3 12 18\stf firm buzzard.dgn