





**READ AND FOLLOW ALL SAFETY INSTRUCTIONS!
SAVE THESE INSTRUCTIONS AND DELIVER TO OWNER AFTER INSTALLATION**

- To reduce the risk of death, personal injury or property damage from fire, electric shock, falling parts, cuts/abrasions, and other hazards please read all warnings and instructions included with and on the fixture box and all fixture labels.
- Before installing, servicing, or performing routine maintenance upon this equipment, follow these general precautions.
- Installation and service of luminaires should be performed by a qualified licensed electrician.
- Maintenance of the luminaires should be performed by person(s) familiar with the luminaires' construction and operation and any hazards involved. Regular fixture maintenance programs are recommended.
- It will occasionally be necessary to clean the outside of the refractor/lens. Frequency of cleaning will depend on ambient dirt level and minimum light output which is acceptable to user. Refractor/lens should be washed in a solution of warm water and any mild, non-abrasive household detergent, rinsed with clean water and wiped dry. Should optical assembly become dirty on the inside, wipe refractor/lens and clean in above manner, replacing damaged gaskets as necessary.
- **DO NOT INSTALL DAMAGED PRODUCT!** This luminaire has been properly packed so that no parts should have been damaged during transit. Inspect to confirm. Any part damaged or broken during or after assembly should be replaced.
- **Recycle:** For information on how to recycle LED electronic products, please visit www.epa.gov.
- These instructions do not purport to cover all details or variations in equipment nor to provide every possible contingency to meet in connection with installation, operation, or maintenance. Should further information be desired or should particular problems arise which are not covered sufficiently for the purchaser's or owner's purposes, this matter should be referred to Acuity Brands Lighting, Inc.

<div style="text-align: center; border: 1px solid black; padding: 5px; margin-bottom: 10px;">  <p>WARNING RISK OF ELECTRIC SHOCK</p> </div> <ul style="list-style-type: none"> ✓ Disconnect or turn off power before installation or servicing. ✓ Verify that supply voltage is correct by comparing it with the luminaire label information. ✓ Make all electrical and grounded connections in accordance with the National Electrical Code (NEC) and any applicable local code requirements. ✓ All wiring connections should be capped with UL approved recognized wire connectors. 	<div style="text-align: center; border: 1px solid black; padding: 5px; margin-bottom: 10px;">  <p>WARNING RISK OF BURN</p> </div> <ul style="list-style-type: none"> ✓ Allow lamp/fixture to cool before handling. Do not touch enclosure or light source. ✓ Do not exceed maximum wattage marked on luminaire label. ✓ Follow all manufacturer's warnings, recommendations and restrictions for: driver type, burning position, mounting locations/methods, replacement and recycling.
---	--

<div style="text-align: center; border: 1px solid black; padding: 5px; margin-bottom: 10px;">  <p>CAUTION RISK OF INJURY</p> </div> <ul style="list-style-type: none"> ✓ Wear gloves and safety glasses at all times when removing luminaire from carton, installing, servicing or performing maintenance. ✓ Avoid direct eye exposure to the light source while it is on. 	<div style="text-align: center; border: 1px solid black; padding: 5px; margin-bottom: 10px;">  <p>CAUTION RISK OF FIRE</p> </div> <ul style="list-style-type: none"> ✓ Keep combustible and other materials that can burn, away from lamp/lens. ✓ Do not operate in close proximity to persons, combustible materials or substances affected by heat or drying.
--	---

LED IMPORTANT SAFETY INSTRUCTIONS



CAUTION: RISK OF PRODUCT DAMAGE

- ✓ Never connect components under load.
- ✓ Do not mount or support these fixtures in a manner that can cut the outer jacket or damage wire insulation.
- ✓ Controls for dimming, auto-sensing, or remote control of a luminaire that are not factory-wired to the luminaire must be checked for compatibility with the luminaire prior to installation. LED fixtures must be powered directly off a switched circuit.
- ✓ Unless individual product specifications deem otherwise: Do not restrict fixture ventilation. Allow for some volume of airspace around fixture. Avoid covering LED fixtures with insulation, foam, or other material that will prevent convection or conduction cooling.
- ✓ Unless individual product specifications deem otherwise: Do not exceed fixtures maximum ambient temperature.
- ✓ Only use fixture in its intended location.
- ✓ LED products are Polarity Sensitive. Ensure proper Polarity before installation.
- ✓ Electrostatic Discharge (ESD): ESD can damage LED fixtures. Personal grounding equipment must be worn during all installation or servicing of the unit.
- ✓ Do not touch individual electrical components as this can cause ESD, shorten lamp life, or alter performance.
- ✓ Some components inside the fixture may not be serviceable. In the unlikely event your unit may require service, stop using the unit immediately and contact an ABL representative for assistance.
- ✓ Always read the fixtures complete installation instructions prior to installation for any additional fixture specific warnings.

Please see product specific installation instructions for additional warnings or any applicable FCC or other regulatory statements.

Failure to follow any of these instructions could void product warranties. For a complete listing of product Terms and Conditions, please visit www.acuitybrands.com.

Our Brands	Indoor/Outdoor Lithonia Lighting Carandini Holophane RELOC Light Concepts	Indoor Lighting Gotham Mark Architectural Lighting Peerless Renaissance Lighting Winona Lighting	Outdoor Lighting American Electric Lighting Antique Street Lamps Hydrel Tersen	Controls DARK TO LIGHT LC&D ROAM Sensor Switch Synergy	Daylighting SunOptics
-------------------	---	--	---	--	---------------------------------

Acuity Brands Lighting, Inc. assumes no responsibility for claims arising out of improper or careless installation or handling of its products.

ABL LED General Warnings, Form No. 503.203

© 2010 Acuity Brands Lighting, Inc. All rights reserved. 12/01/10

Installation Instructions WST LED 2016 Design

5 year limited warranty



DELIVERY: Upon receipt of fixture and accessories (packed separately), thoroughly inspect for any freight damage. All damage should be reported to the delivery carrier. Compare the catalog description listed on the packing slip with the fixture label on the inside of the housing to be sure you have received the correct merchandise.

This device complies with Part 15 of the FCC Rules. Operation is subject to the following two conditions: (1) this device may not cause harmful interference, and (2) this device must accept any interference received, including interference that may cause undesired operation.

⚠ CAUTION: APPLY A CONTINUOUS BEAD OF WEATHER - PROOF CAULKING BETWEEN MOUNTING PLATE AND WALL TO ENSURE WEATHER - TIGHT INTEGRITY OF ELECTRICAL COMPONENTS.

Tools Required: 3/16" allen wrench, level.

Note: Designed for face down installation only. Installation of the fixture in any position other than what is indicated with the supplied instructions will void all warranties.

1. These steps below are for mounting over a standard recessed junction box.

Position mounting plate over j-box.

The mounting plate may be attached to the j-box for alignment only, it should not be relied upon for structural support.

Level mounting plate prior to tightening.

Secure to wall using (4) 1/4" diameter fasteners (not provided).

See figure 1.

2. Loosen 1/4"-20 x 1" hex socket cap screws on the top of the mounting plate to separate it from the fixture.

3. **Do not make any connections with energized supply leads.**

Ensure the line voltage at the fixture is correct.

Make all necessary wiring connections ensuring that wires are not being pinched.

Place wires inside junction box. See figure 2.

Note: Only fixtures with dual switching (DS) or internal battery pack (E7WH, E7WC, E20WH, E20WC) will use switched line.

When used with a switched fixture, it is important that the power to the LED Emergency driver must be provided by an un-switched circuit.

For all others, the red wire may be capped. See figure 2.

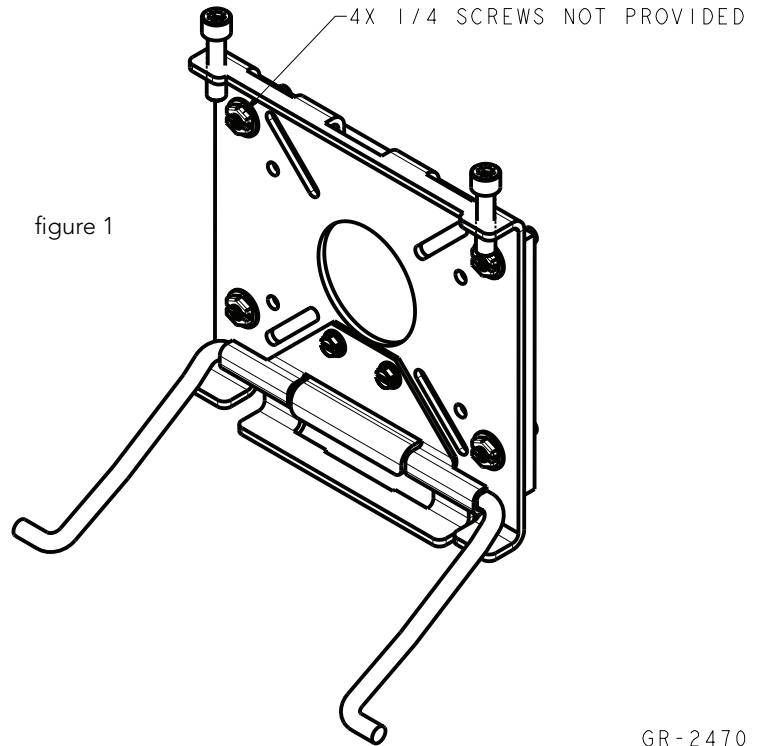


figure 1

GR-2470

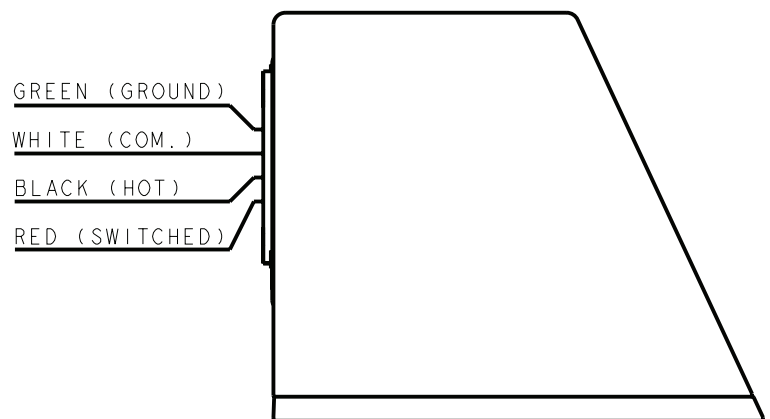
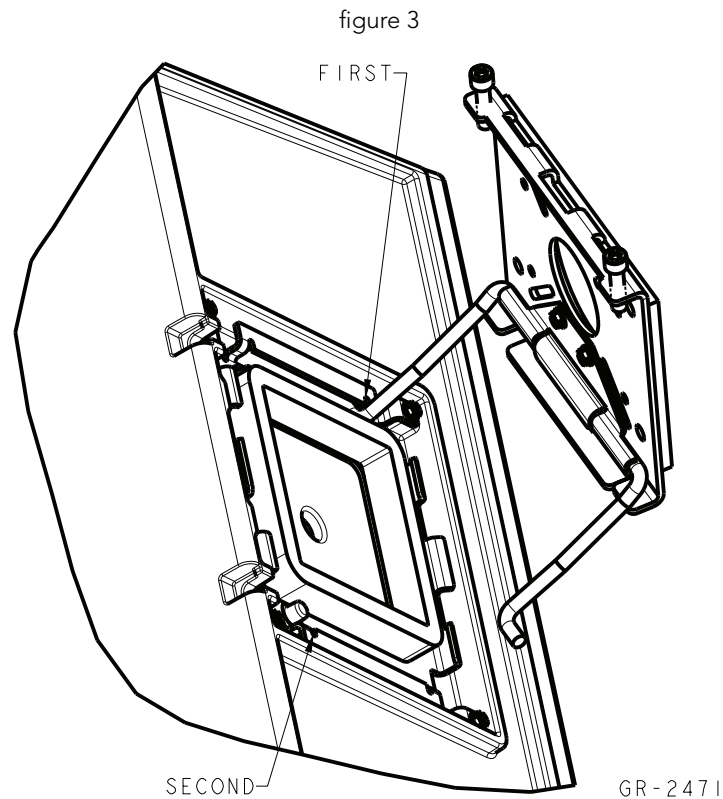


figure 2

GR-2473

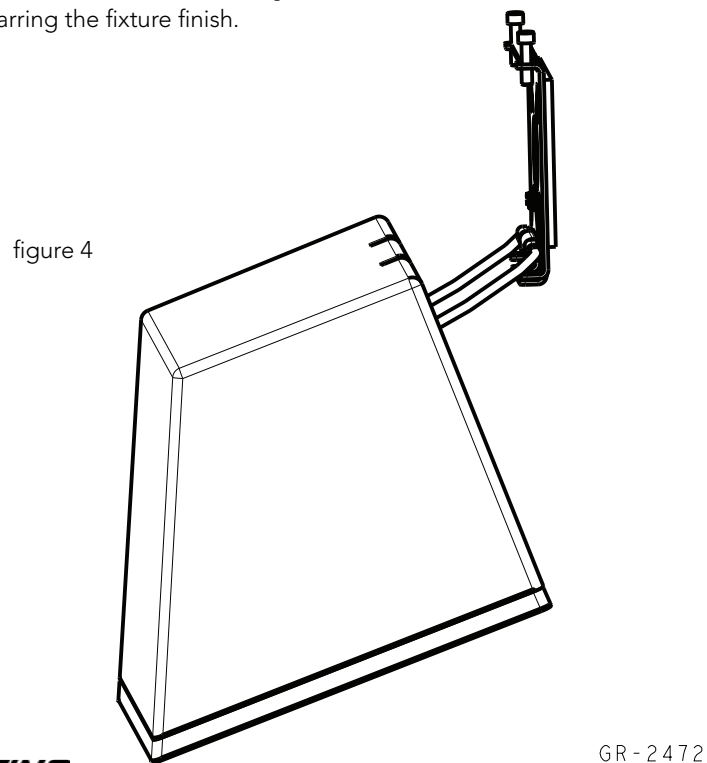
Installation Instructions WST LED 2016 Design

4. To attach the fixture to the integral support rods, face the wall, grip the fixture on the sides with the top towards you, insert the support rod on one side of the wall mounting plate into the corresponding slot in the fixture side mounting bracket. See figure 3.



5. Slide fixture down so support rods are evenly aligned on bracket and let fixture hang off the integral support rods. See figure 4.

Note: Protect the fixture surface from the wall it is being installed on to prevent scratching or marring the fixture finish.



©2016 Acuity Brands Lighting, Inc.
All Rights Reserved.

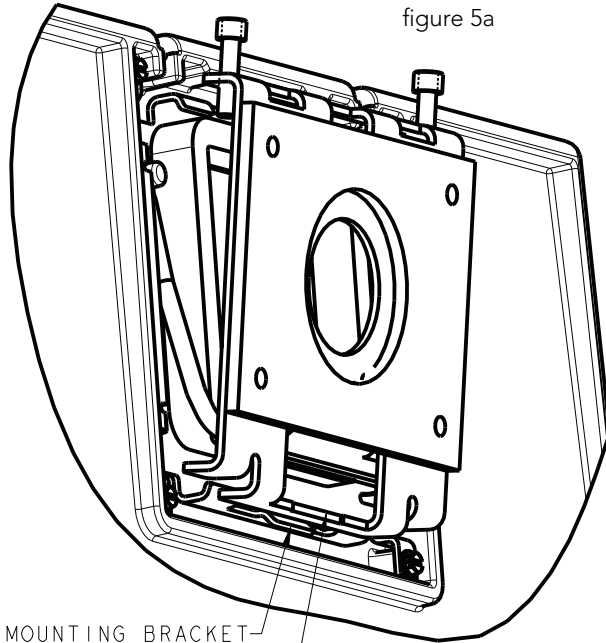
Lithonia Lighting Outdoor
One Lithonia Way, Conyers, GA 30012
Phone: 800-279-8041 Fax: 770-918-1209
www.lithonia.com

Part Number: IM-401 REV B
Revision Date: 6-24-16

Installation Instructions

WST LED 2016 Design

6. Lift fixture and place the bottom hook of the fixture mounting bracket onto the bottom center slot of the wall mounting plate (see figure 5a).



FIXTURE MOUNTING BRACKET
BOTTOM HOOK

WALL MOUNTING PLATE
CENTER SLOT

GR2474

Keep pressure on the bottom of the fixture against the wall, lift up slightly and insert the top hooks of the fixture mounting bracket into the top slots of the wall mounting plate (see figure 5b). Make sure wires are inside the junction box and not pinched.

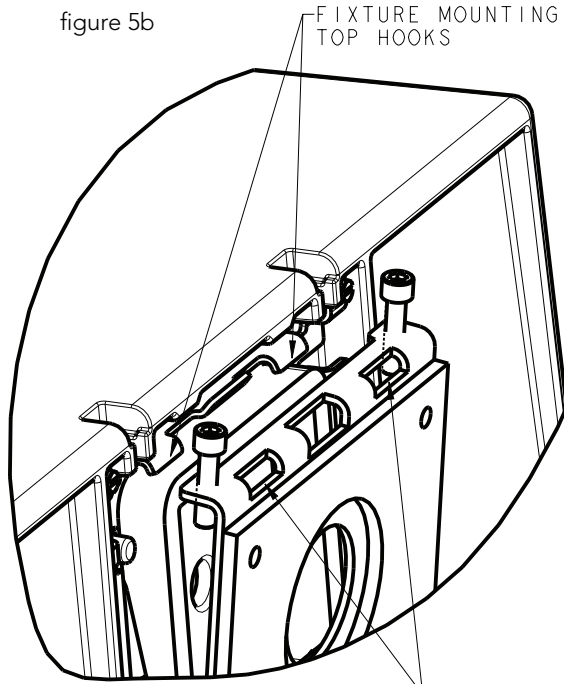


figure 5b

FIXTURE MOUNTING BRACKET
TOP HOOKS

WALL MOUNTING PLATE
TOP SLOTS

GR-2475

7. Slide the fixture into place by firmly applying pressure against the fixture onto the wall mounted plate and pushing down.

Verify the fixture is securely seated and parallel to the wall.

8. Hand tighten the (2) hex socket set screws on the top of the housing with a 3/16" allen wrench evenly (10-15 in. lbs maximum). See figure 6.

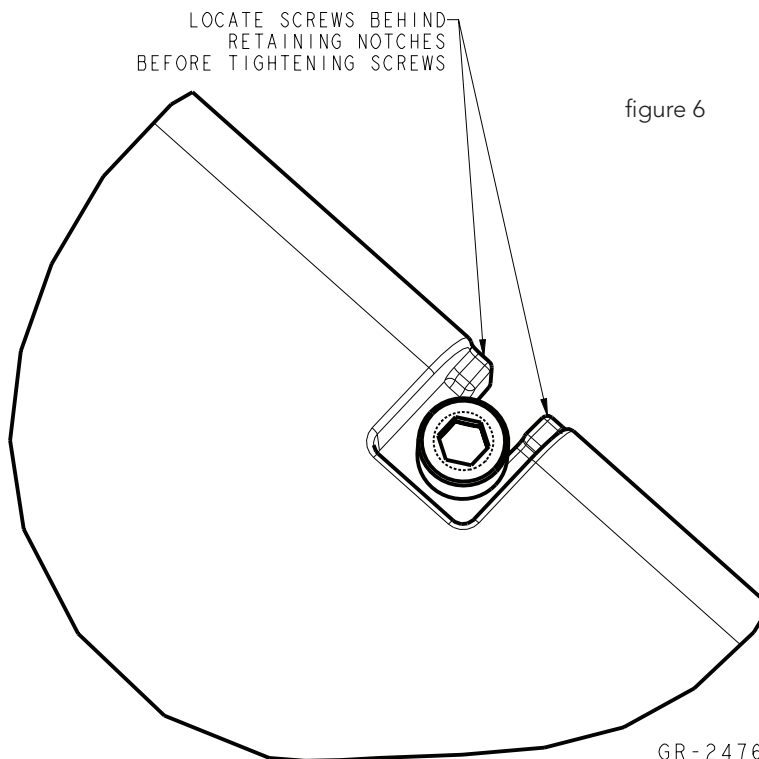


figure 6

LOCATE SCREWS BEHIND
RETAINING NOTCHES
BEFORE TIGHTENING SCREWS

GR-2476



Lithonia Lighting Outdoor
One Lithonia Way, Conyers, GA 30012
Phone: 800-279-8041 Fax: 770-918-1209
www.lithonia.com

Installation Instructions

WST LED 2016 Design

9. For fixtures with internal emergency battery packs only:

Prior to supplying electricity to installed fixture, loosen 4 hex-socket head screws and remove door from housing.

THERE IS NO NEED TO REMOVE DOOR OF LUMINAIRE IF THERE IS NO INTERNAL BATTERY PACK.

Consult catalog description if you are unsure if the luminaire contains an internal battery backup.

Allow door to hang from internal tethers.

Connect internal battery fuse to allow emergency battery to function.

E7WH option: connect internal harness to harness coming from test switch installed on the door.

E7WC option: connect red and white wires via the mating connector.

E20WH & E20WC options: connect the two red wires via the mating connector.

Reinstall door.

After supplying power to the fixture, allow up to 24 hours for internal battery pack to charge before testing.

Troubleshooting: If this fixture fails to operate properly, check to make sure: • The fixture is wired correctly. • The fixture is grounded correctly. • The line voltage at the fixture is correct. If all these variables have been checked and the fixture still does not operate as specified, contact your local Lithonia Lighting distributor.



Lithonia Lighting Outdoor
One Lithonia Way, Conyers, GA 30012
Phone: 800-279-8041 Fax: 770-918-1209
www.lithonia.com