

# Ashland Wall (LED)

WS696\_LED 1.0



## GENERAL PRODUCT INFORMATION:



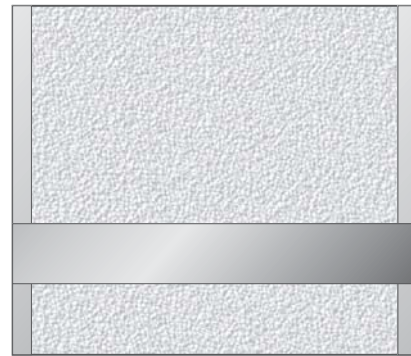
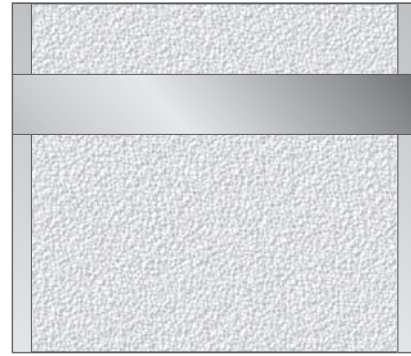
This product is suitable for damp locations.

This product can mount either to a 4" square electrical box with a round plaster ring or an octagon electrical box.

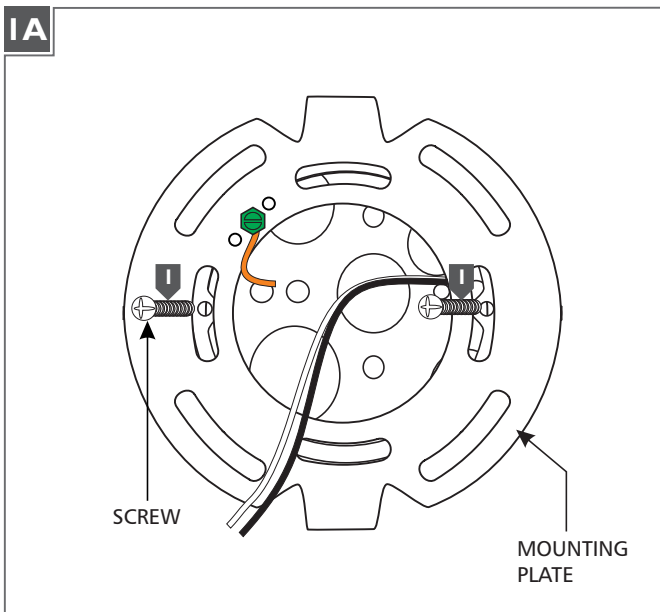
This product may be dimmed using a low voltage electronic dimmer.

This instruction shows a typical installation.

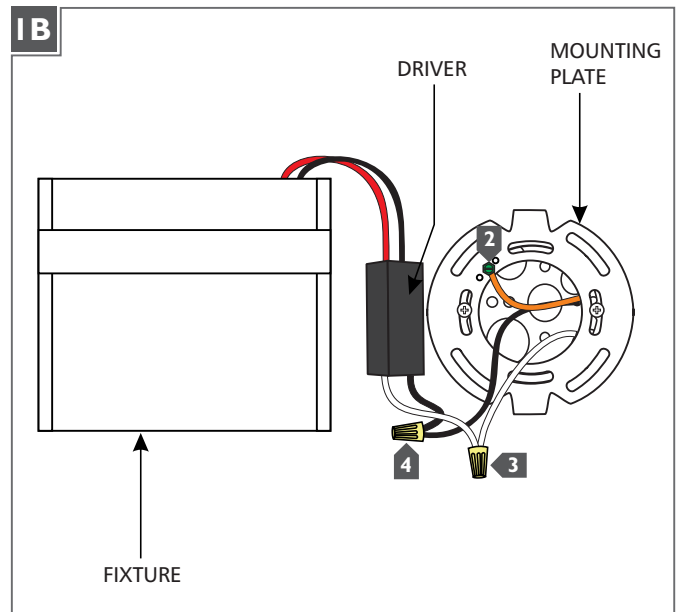
**CAUTION - RISK OF FIRE**  
 This product requires installation by a qualified electrician. Before installing be sure to read all instructions and **TURN THE POWER TO THE ELECTRICAL BOX OFF.**



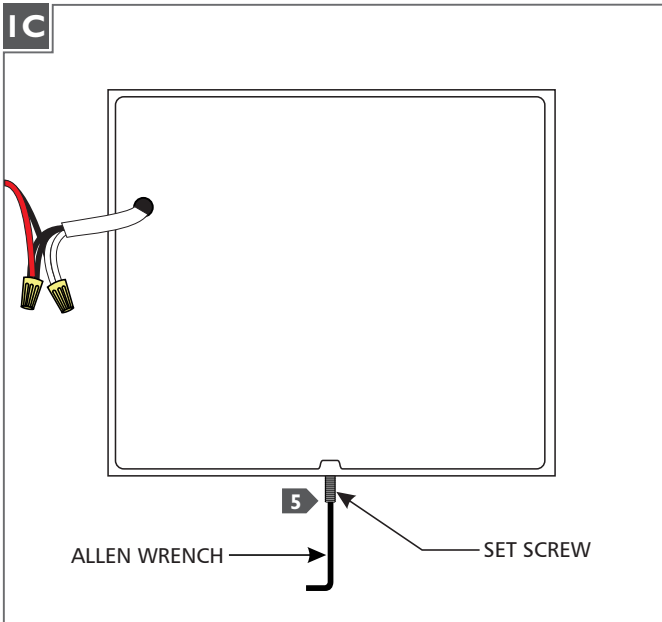
## Install the Fixture



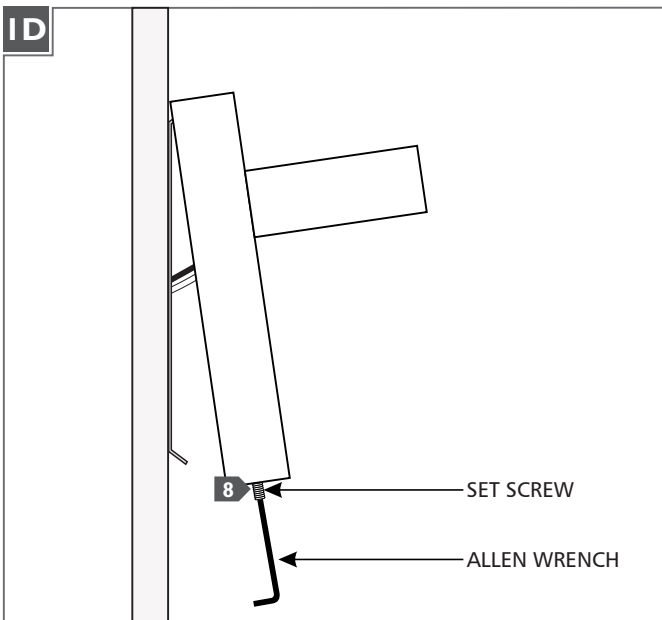
**1** Attach the mounting plate to the electrical box using the two #8-32 screws provided.



- 2** Connect the mounting plate ground wire to a suitable ground in accordance with local electrical codes.
- 3** Connect the white driver wire to the neutral power line wire with a wire nut.
- 4** Connect the black driver wire to the hot power line wire with a wire nut.



**5** With the Allen wrench provided, back out (do not fully remove) the set screw at the base of the fixture.



**NOTE:** This fixture can be installed upside down.

- 6** Properly place the driver, all wires, and wire nut connections into the electrical box.
- 7** Hook the top of the fixture to the top of the mounting plate and swing the bottom of the fixture toward the plate until it is flush with the wall.
- 8** Tighten the set screw at the bottom of the fixture.

**SAVE THESE INSTRUCTIONS!**



7400 Linder Ave, Skokie, IL 60077  
800.323.3226 - 847.626.6300

[www.lblighting.com](http://www.lblighting.com)

© 2013 LBL Lighting. All rights reserved. The "LBL Lighting" graphic is a registered trademark of LBL Lighting. LBL Lighting reserves the right to change specifications for product improvements without notification.

A Generation Brands Company