

ATELIER CLAMP

WHEN USED WITH ATELIER ARM ASSEMBLY

astro

GENERAL

LOCATION:	Interior
CLASS:	cETLus (Class 1)
LOCATION RATING:	Dry
DRIVER REQUIRED:	Mains 120V
INSTALLATION ORIENTATION:	-
FITTING METHOD:V	-
MAIN MATERIAL:	Metal - Aluminium
DIMENSIONS (mm):	H: 170 W: 62 D: 43
DIMENSIONS WITH ARM ASSMEBLY (mm)	H: 970 W: 122 D: 160
DIMENSIONS (inch):	H: 6.69 W: 2.44 D: 1.69
DIMENSIONS WITH ARM ASSMEBLY (inch):	H: 38.19 W: 4.8 D: 7.99
CUT OUT HOLE (mm/inch):	-
RECESS DEPTH (mm/inch):	-
FIRE RATING:	-
CABLE LENGTH (mm/inch):	3000/118.11
GROSS WEIGHT (lb):	0.53
GROSS WEIGHT WITH ARM ASSMEBLY (lb):	2.3
ADA COMPLIANT:	Yes - if installed in compliance with ADA 307.2, 308, 309.3, 309.4
IC RATING:	-

LAMP

LIGHT SOURCE:	E26/Medium
WATTAGE:	29W
RECOMMENDED LAMP:	12W MAX LED E26/MEDIUM
LAMP INCLUDED:	No
MAXIMUM LAMP LENGTH (mm/inch):	Lamp Dependent
LUMINOUS FLUX (lm):	Lamp Dependent
COLOUR TEMP (K):	Lamp Dependent
CRI (Ra):	-
MACADAM ELLIPSE:	-
TILT ADJUSTABLE ANGLE (°):	180
ROTATION ADJUSTABLE ANGLE (°):	330
LIFETIME (hrs):	Lamp Dependent
BEAM ANGLE (°):	-

ELECTRICAL

SWITCHED:	Yes
DIMMABLE:	No
DIMMING METHOD:	-
SUPPLY FREQUENCY (Hz):	-
DRIVER/BALLAST VOLTAGE (V):	-
DRIVER LIFETIME (hrs):	-
EFFICACY (lm/W):	-

ADDITIONAL INFORMATION:

SHADE INCLUDED:	-
SHADE/DIFFUSER MATERIAL:	-
SHADE/DIFFUSER FINISH	-
F MARK:	-



CODE: 1224010

FINISH: POLISHED ALUMINIUM

TO MAINTAIN THIS PRODUCT TO ITS BEST CONDITION, PLEASE VIEW OUR CARE AND CLEANING GUIDE ON THE SUPPORT SECTION OF THE ASTRO WEBSITE.

Pour entretenir au mieux ce produit, veuillez consulter notre guide d'entretien et de nettoyage, dans la rubrique d'aide sur le site Web d'Astro.

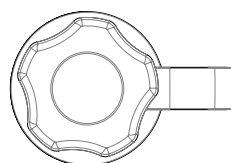
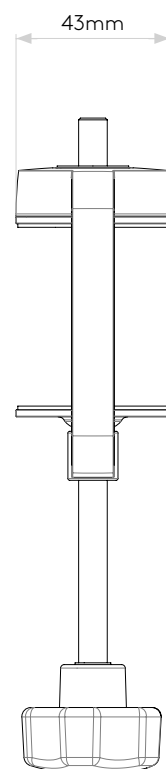
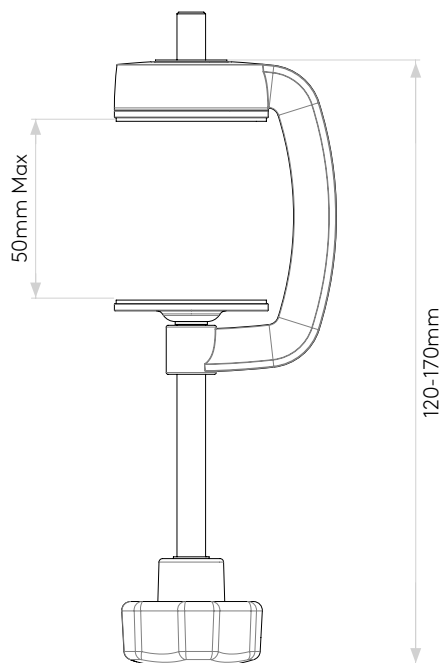
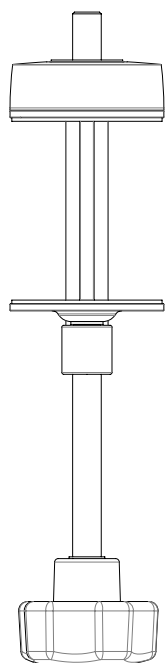
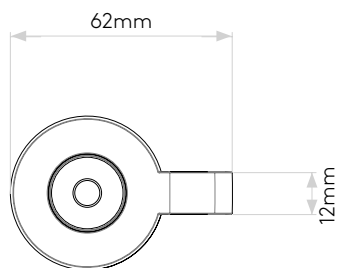
Um dieses Produkt im besten Zustand zu erhalten, beachten Sie bitte unseren Leitfaden zu Pflege und Reinigung im Abschnitt „Support“ auf der Astro-Website.

Per mantenere questo prodotto nelle sue migliori condizioni, consultare la nostra guida per la manutenzione e la pulizia nella sezione dedicata all'assistenza del sito Web Astro.

PRODUCT ELEVATIONS

astro

Please note that some dimensions may vary slightly due to manufacturing tolerances, this includes cable entry and fixing holes.



PRODUCT ELEVATIONS

astro

Please note that some dimensions may vary slightly due to manufacturing tolerances, this includes cable entry and fixing holes.

Atelier Arm Assembly with Clamp

