



## PRODUCT SPECIFICATION

### GENERAL

<b>FINISH:</b>	Plaster	<b>GROSS WEIGHT:</b>	To Be Advised
<b>MAIN MATERIAL:</b>	Plaster	<b>CLASS:</b>	ETL (Class I)
<b>DIMENSIONS:</b>	H:100mm W:70mm D: 100mm H:3.93" W:2.75" D: 3.93"	<b>LISTING LOCATION:</b>	Dry
<b>INSTALLATION ORIENTATION:</b>	Wall Mount - Vertical	<b>FITTING METHOD:</b>	1/2 Stub Mount
<b>CUT OUT HOLE:</b>	Not Applicable	<b>ADA COMPLIANT:</b>	Yes
<b>RECESS DEPTH:</b>	Not Applicable	<b>IC RATING:</b>	Not Applicable
<b>FIRE RATING:</b>	Not Applicable	<b>VOLTAGE:</b>	Mains 120 (V)
<b>CABLE LENGTH:</b>	Not Applicable		

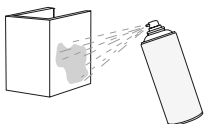
### LAMP

<b>LIGHT SOURCE:</b>	High Power LED	<b>MACADAM ELIPSE:</b>	To Be Advised
<b>MAXIMUM WATTAGE:</b>	1 x 3W	<b>UGR:</b>	Not Applicable
<b>MAXIMUM LAMP LENGTH:</b>	Not Applicable	<b>BEAM ANGLE:</b>	Not Applicable
<b>LAMP INCLUDED?</b>	Yes (Integral)	<b>TILT ADJUSTMENT ANGLE:</b>	Not Applicable
<b>DELIVERED LUMENS:</b>	104.3 (lm)	<b>ROTATION ADJUSTMENT ANGLE:</b>	Not Applicable
<b>COLOR TEMP:</b>	3000 (K)	<b>AVERAGE LIFESPAN:</b>	60,500 (Hrs)
<b>CRI:</b>	80	<b>L70:</b>	To Be Advised
<b>R9:</b>	To Be Advised		

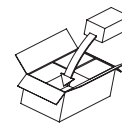
### ELECTRICAL

<b>SWITCHED:</b>	No	<b>SUPPLY FREQUENCY:</b>	50/60 (Hz)
<b>DIMMABLE:</b>	No	<b>DRIVER / BALLAST VOLTAGE:</b>	100-240 (V)
<b>DIMMING METHOD:</b>	Not Applicable	<b>DRIVER AVERAGE LIFESPAN:</b>	60,000 (Hrs)
<b>DRIVER OUTPUT CURRENT:</b>	700 (mA)	<b>EFFICACY:</b>	26.2 (lm/w)
<b>DRIVER OUTPUT VOLTAGE:</b>	Not Applicable	<b>DRIVER INCLUDED?</b>	Yes (Integral)

## ADDITIONAL INFORMATION



THIS PRODUCT CAN BE SPRAY PAINTED



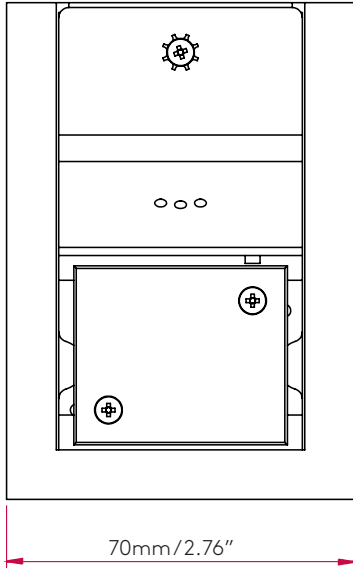
BOX QUANTITY  
TO BE ADVISED



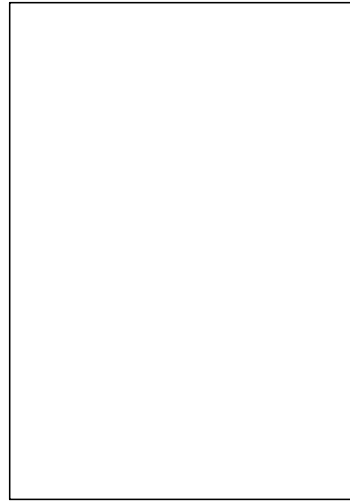
# PRODUCT ELEVATIONS

---

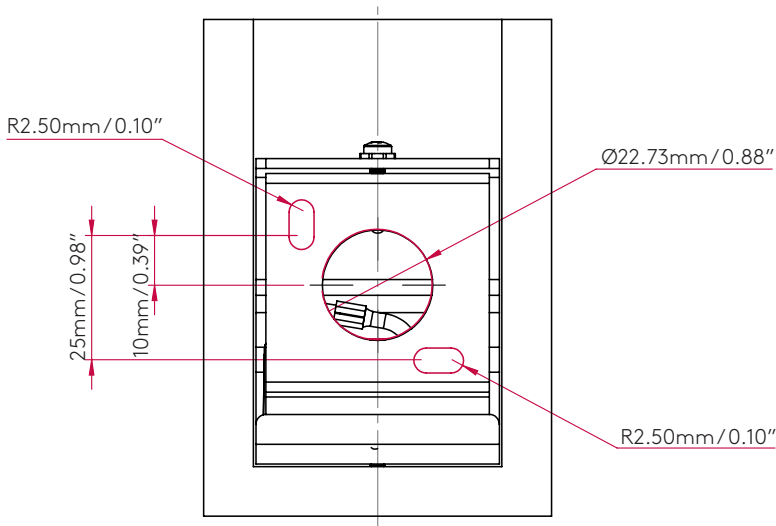
TOP



FRONT



BACK



SIDE

