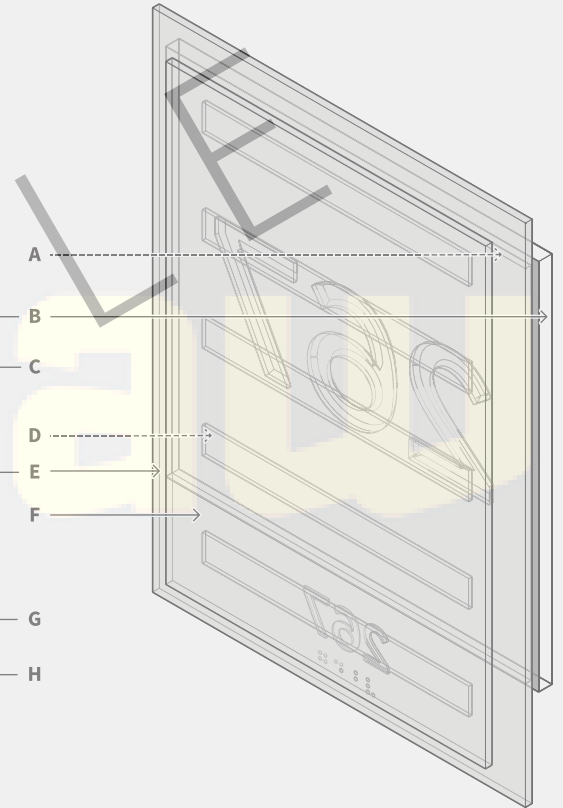
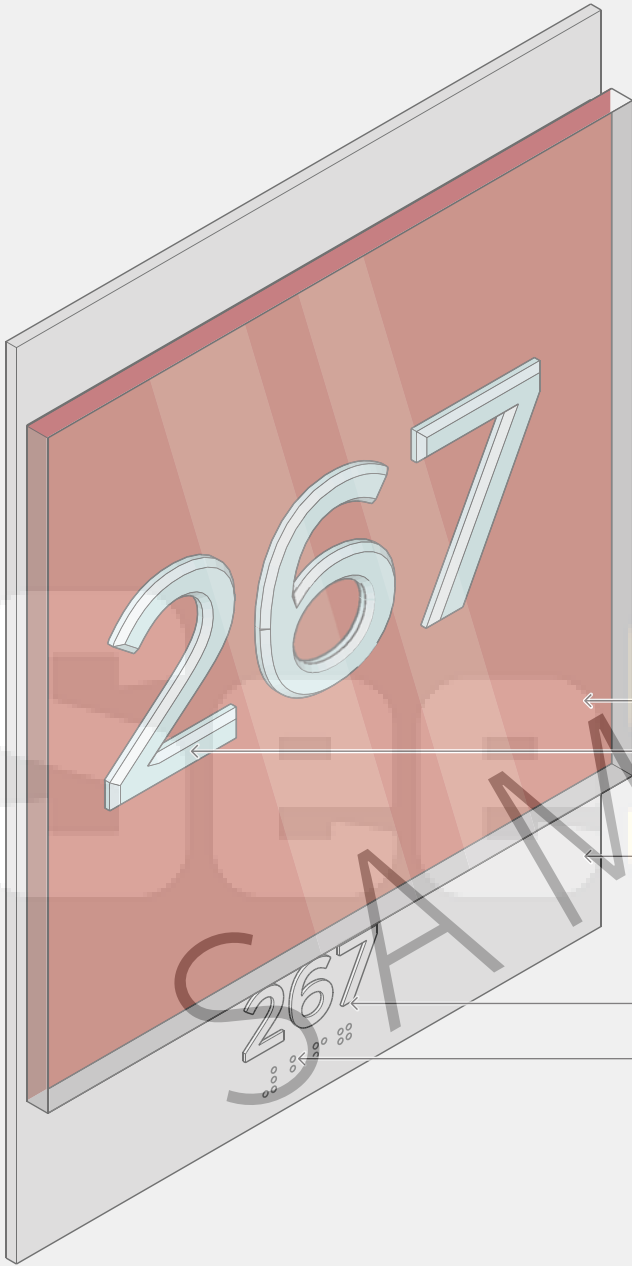


FAMILY	BOYLSTON	GROUP	SPECIALIZED
BUILDING TYPE	CONDOMINIUMS & APARTMENTS		

- A Acrylic spacer, P2
- B Glass panel, second surface P1
- C Second surface deep etched graphics, P3
- D Foam tape
- E Photopolymer Plaque, P2
- F Acrylic spacer, P2
- G Raised Text, P2
- H Grade II Braille, P2



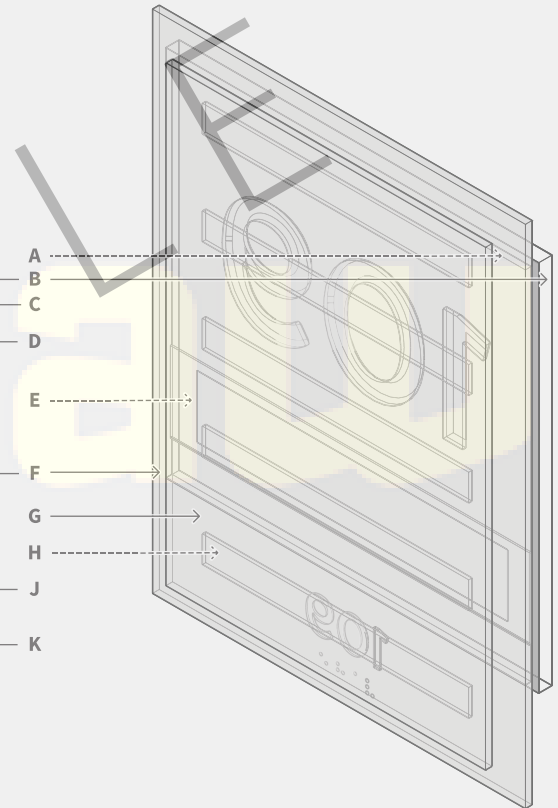
BOY.22.22A



NOTE: You will receive unwatermarked drawings for every sign type in the family when you generate your specification through SeeSaw

FAMILY	BOYLSTON	GROUP	IDENTIFICATION
BUILDING TYPE		CONDOMINIUMS & APARTMENTS	

- A Acrylic spacer, P2
- B Glass panel, second surface P1
- C Second surface deep etched graphics, P3
- D Second surface window remains unpainted
- E Milled pocket
- F Photopolymer plaque, P2
- G Acrylic spacer, P2
- H Foam tape
- J Raised text, P2
- K Grade II Braille, P2

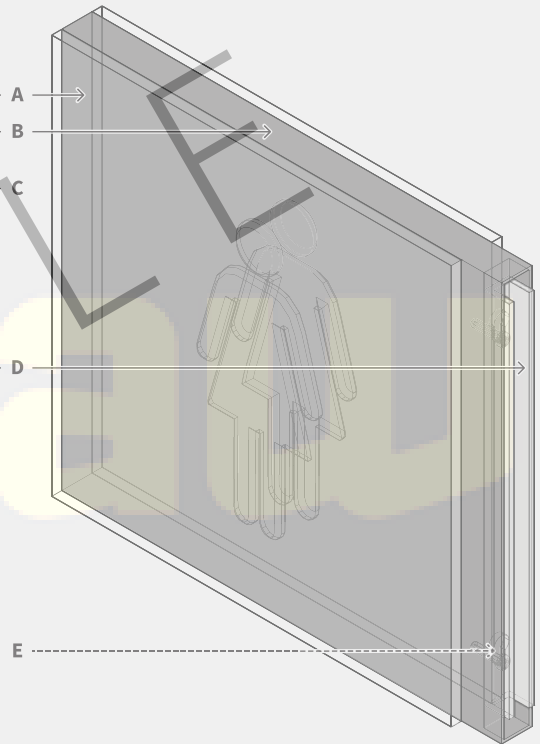
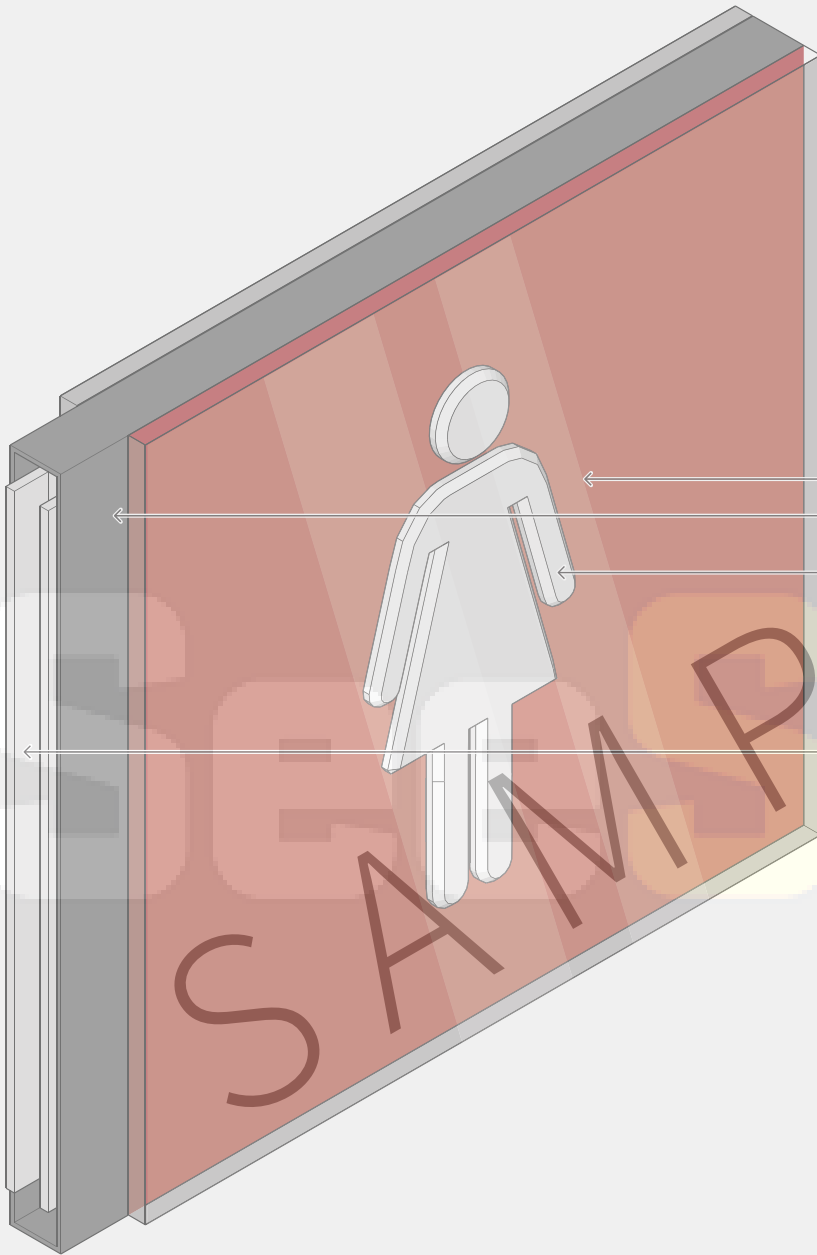


BOY.22.D2B

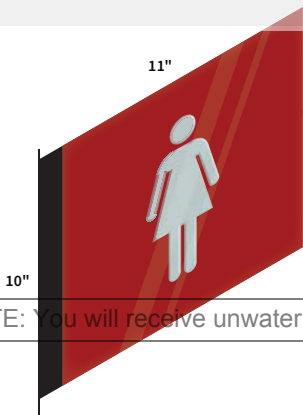


NOTE: You will receive unwatermarked drawings for every sign type in the family when you generate your specification through SeeSaw

- A Glass panel, second surface P1
- B Aluminum core with milled cavity, P2
- C Second surface deep etched graphics, P3
- D Aluminum bracket, P2
- E Keyhole and mounting hardware



BOY.22.L4A



NOTE: You will receive unwatermarked drawings for every sign type in the family when you generate your specification through SeeSaw