



SCOTT

BIKE

SCOTT PLASMA 4
USER MANUAL

INNOVATION
TECHNOLOGY
DESIGN

WWW.SCOTT-SPORTS.COM

All rights reserved © 2017 SCOTT Sports SA

Distribution:
SSG (Europe) Distribution Center SA, P.E.D. Zone C1, Rue du Kiell 60, 6790 Aubange, Belgium

v6.3/040717



WWW.SCOTT-SPORTS.COM

SCOTT Sports SA
Route du Crochet 17, CH-1762 Givisiez
Phone: +41 26 460 16 16 | Fax: +41 26 460 16 00
Email: scottsupport@scott-sports.com



www.scott-sports.com

The Plasma 4 Carbon bikes should be adjusted exactly to the current rider for reaching maximum safety and performance while riding.

Please note that all adjustments should be done at your local SCOTT dealer or following to this manual.

CONTENT

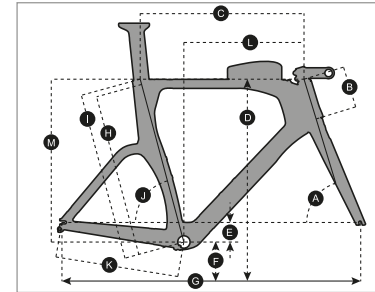
Plasma 4 Concept	04
Geometry/Technical Data Plasma 4	05
Plasma 4 Frameset Content	06
Specific Torques Values Table.	06
Rear Drop out and Derailleur Hanger	07
BB Standard and FD Mount Standard.	08
Headset Options	08
BB Cable Guide and Cable Routing	08
Seatpost and Seatube Clamp	09
Storage Box	11
Guarantee on SCOTT Bikes	12

PLASMA 4 CONCEPT

Plasma 4 is the result of research and development based on the feedback of the SCOTT-triathlon and time trial athletes searching for one of the most efficient aerodynamics orientated yet affordable frames in the market.

SCOTT's focus was not only on the frame and rider aerodynamics but also on the bike's ergonomic side and adjustability as well as the frame front end stiffness.

GEOMETRY/TECHNICAL DATA PLASMA 4

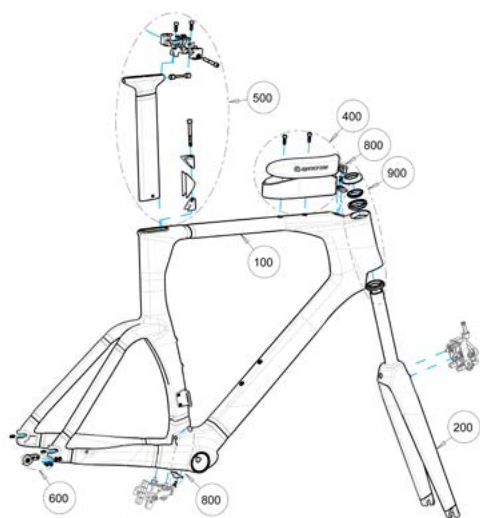


Headtube diameter	Plasma 4: 1.1/8"
BB housing	PF BB 86
Rear brake	SHIMANO direct mount compatible brake calipers
Front brake	Compatible with both SHIMANO direct mount and single bolt front brake calipers.
Seat post saddle rails clamps	Different seatpost saddle rail clamps are available to match with your saddle: 7x7mm, 8x8.5mm or 7x9.6mm
Rear hanger	Compatible Plasma 4 and Plasma 5
Shifting	Mechanical and electrical shifting compatible

	S/51	M/54	L/57	XL/60
A HEAD TUBE ANGLE	72.0°	73.0°	73.0°	73.5°
B HEAD TUBE LENGTH	100.0 mm 3.9 in	128.0 mm 5.0 in	159.0 mm 6.3 in	199.0 mm 7.8 in
C TOP TUBE HORIZONTAL	526.0 mm 20.7 in	546.0 mm 21.5 in	566.0 mm 22.3 in	583.0 mm 23.0 in
D STANDOVER HEIGHT	769.0 mm 30.3 in	799.0 mm 31.5 in	829.0 mm 32.6 in	869.0 mm 34.2 in
E BB OFFSET	-65.0 mm -2.6 in	-65.0 mm -2.6 in	-65.0 mm -2.6 in	-65.0 mm -2.6 in
F BB HEIGHT	269.0 mm 10.6 in	269.0 mm 10.6 in	269.0 mm 10.6 in	269.0 mm 10.6 in
G WHEEL BASE	965.0 mm 38.0 in	983.0 mm 38.7 in	1,009.0 mm 39.7 in	1,029.0 mm 40.5 in
H BB CENTER TO TOPTUBE CENTER	504.9 mm 19.9 in	534.7 mm 21.0 in	564.4 mm 22.2 in	604.2 mm 23.8 in
I BB CENTER TO TOP OF SEATTUBE	519.9 mm 20.5 in	549.7 mm 21.6 in	579.4 mm 22.8 in	619.2 mm 24.4 in
J SEATTUBE ANGLE	74.0°	75.0°	75.0°	76.0°
K CHAINSTAY MIN.	403.0 mm 15.9 in	403.0 mm 15.9 in	403.0 mm 15.9 in	403.0 mm 15.9 in
L REACH	383.0 mm 15.1 in	400.0 mm 15.7 in	417.0 mm 16.4 in	430.0 mm 16.9 in
M STACK	500.0 mm 19.7 in	530.0 mm 20.9 in	560.0 mm 22.0 in	600.0 mm 23.6 in
N STEM LENGTH				

PLASMA 4 FRAMESET CONTENT

1. Frame
2. Fork
3. Headset
4. Seatpost
5. Storage box



ITEM	NAME	DESCRIPTION	QTY
100	MAINFRAME	S/M/L/XL	1
200	FORK	SAME FOR ALL SIZES	1
400	ACCESSORIES	SAME FOR ALL SIZES	1
500	HARDWARE	SAME FOR ALL SIZES	1
600	REAR DERAILLEUR HANGER	SAME FOR ALL SIZES	1
800	CABLE ROUTING SHIFTING	SAME FOR ALL SIZES	1
900	HEADSET	SAME FOR ALL SIZES	1

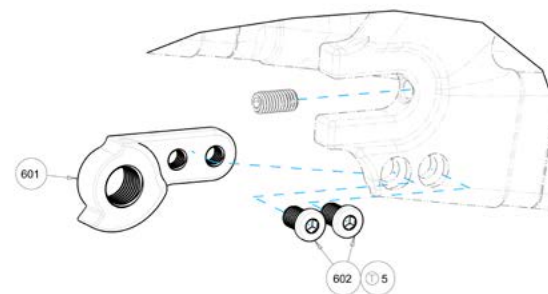
SPECIFIC TORQUES VALUES TABLE

TORQUE REF.	MAX. TORQUE
⊕ 1	1Nm
⊕ 2	4Nm
⊕ 3	13Nm
⊕ 4	8Nm
⊕ 5	3Nm
⊕ 6	1.5Nm
⊕ 7	1.5Nm

REAR DROP OUT AND DERAILLEUR HANGER

- **Setup screw:** Dropout length can be set to adjust the rear wheel tire clearance with the frame (100) thanks to the rear dropout adjustment screws. The chainstays length can be set from 403mm to 413mm.
 - Loosen the screw to set a longer chainstays length,
 - Tighten the screw to set a shorter chainstays length.

Make sure right and left side are set at the same length by assembling the rear wheel and verifying it is centred with the chainstays.



ITEM	NAME	MATERIAL	SUPPLIER	QTY
601	TT4_15_RD_HANGER	ALLOY	TTC	1
602	ROAD-DROP-SCREW-M5	STEEL	TTC	2

- **Rear derailleur hanger:** place the rear derailleur hanger in the cavity and tighten the 2x M5 screws to their specified torques.

Rear derailleur hanger: SCOTT Part number 239178

Drop out adjustment screws: Standard M5*10mm headless screw available in any hardware shop.

BB STANDARD AND FD MOUNT STANDARD

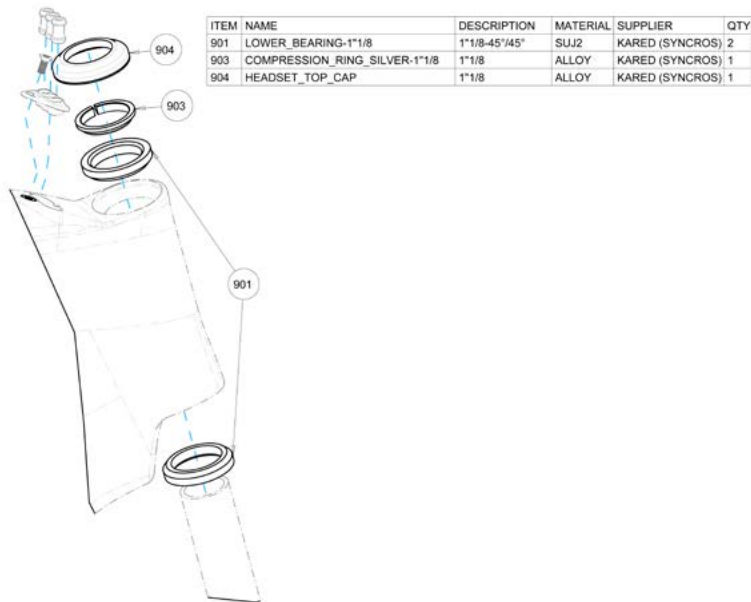
The BB standard on Plasma 4 is PF86.

FD Mount Standard: Brazed on standard same as other SCOTT road frames: Solace, Addict or Foil.

HEADSET OPTIONS

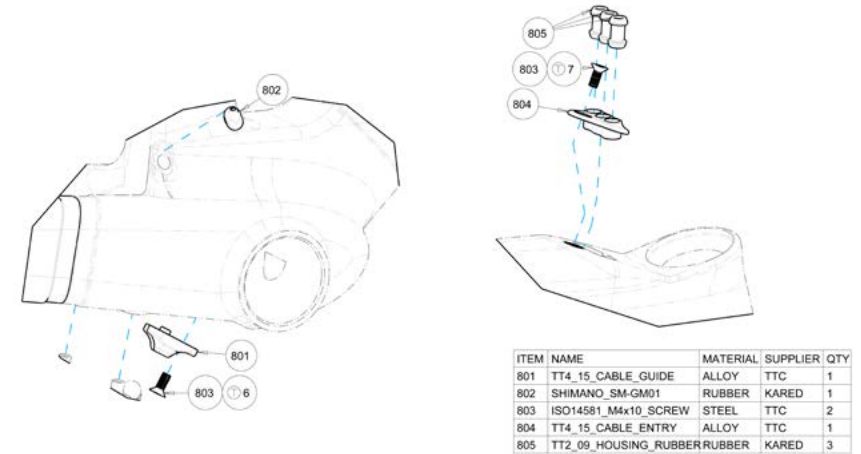
Plasma 4 headset Syncros Drop-In 1 1/8" black part number: 238600

Bearings standard: IS41/28.6 | IS41/30



BB CABLE GUIDE AND CABLE ROUTING

BB cable guide set Plasma 4 Di2 + mechanical part number: 239179



SEATPOST AND SEATUBE CLAMP

SADDLE ASSEMBLY:

⚠ IMPORTANT

Before assembling the saddle, make sure the seatpost saddle rail clamps (524/525) are compatible with your saddle rails!

1. measure your saddle rails height and width (HxW)
2. Ritchey WCS Carbon One-Bolt Saddle Rail Clamp outer-pieces specifications should be compatible with your saddle rails
3. if the saddle rails dimensions you measured are different from the saddle clamps specifications, purchase the required saddle rail clamps parts at your retailer's
4. following dimensions are available: 7x7mm, 8x8.5mm or 7x9.6mm
5. set the right saddle tilt and position the saddle rails so that the saddle rail clamps are in the middle of the usable rail clamping area
6. tighten the M6 screw (527) to the specified torque (T13) to assemble the saddle
7. use the seatpost adjustment barrel to adjust your BB-Saddle horizontal offset
8. once the right offset is set, tighten the two M5 barrel screws (521) to the specified torque (T12)
9. in some cases, you will need to remove the saddle to access the two M5 barrel screws.

SEATPOST ASSEMBLY:

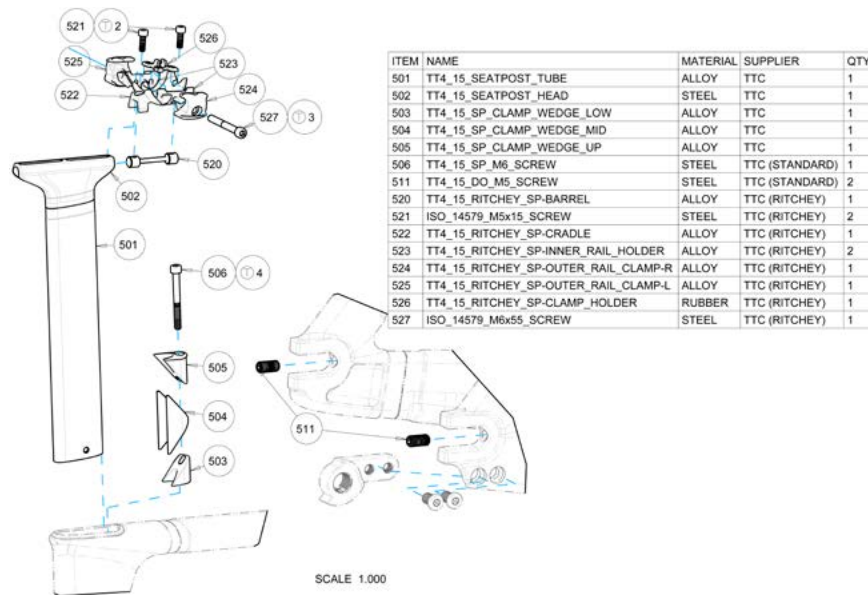
⚠ IMPORTANT

Before assembling the seatpost into the frame, make sure the rear side of the seatpost (side where head is longer) is at the rear end of the frame

1. push gently the seatpost into the frame
2. **for electronic shifting:** make sure the battery does not get stuck into the frame
3. once the desired seatpost height is achieved pre-assemble the seatpost wedge: position the upper wedge part (505) over the mid wedge part (504) and the low wedge threaded part (503) below the mid wedge part
4. position the M6 wedge screw (506) into the assembly head up and pre-tighten it over 3 turns
5. position the wedge assembly into the seattube insert in front of the seattube, its concave face should correspond to the seatpost front surface
6. tighten the M6 screw to the specified torque (T11) while making sure the upper surface of the wedge coincides with the upper surface of the top tube.

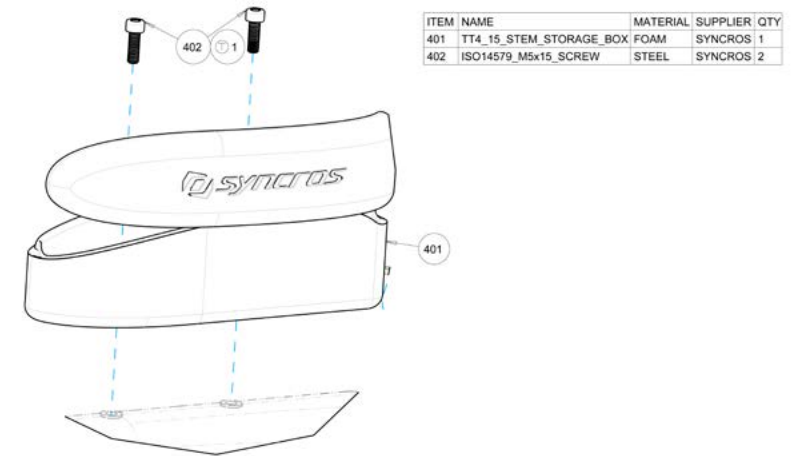
Seatpost and seatclamp assembly are fully compatible between Plasma 4 and Plasma 5 frames.

- **Seatpost Plasma 4/5 SCOTT part number: 239318**
- **Seat Clamp Plasma 4/5 SCOTT part number: 239544**



STORAGE BOX

Plasma 4 framesets and complete bikes are delivered with an additional storage box that can be fitted to the top front end of the Tootube via 2 M5 Allen screws as shown on the sketch below.



GUARANTEE ON SCOTT BIKES

⚠ WARNING!

SCOTT Sports SA is not responsible or liable for any injury caused by any missing compliance with these instructions, particularly but not limited to misuse, incorrect maintenance, incorrect set-up and handling, neglect or abuse. Failure to follow these instructions can result in component failure, serious personal injury. Component failure can lead to loss of control of the bicycle and result in serious personal injury.

What is Covered?

This warranty covers defects in materials and workmanship at the time of transfer of risks in frames, swingarms and forks (provided it is a fork of SCOTT) on SCOTT branded bikes sold completely assembled by SCOTT or an authorized SCOTT dealer (“Product”).

How long does coverage last?

This voluntary manufacturer’s warranty is limited to five years for frames and swingarms, respectively two years for forks, from the date of purchase of the Product and is limited to the first purchaser of the Product and subject to the prior registration of your SCOTT bike on www.scott-sports.com within 10 days as of the date of purchase. Transfer of the Product from the first purchaser to another person terminates this limited warranty. The limited warranty of five years for the frames and swingarms shall only be granted in case once a year a maintenance service has been effected according to maintenance requirements as set forth in the manual. The effected annual maintenance service shall be confirmed by stamp and signature. In case such an annual maintenance service has not been effected the warranty of five years for the frame shall be reduced to three years. Costs for maintenance and service have to be borne by the owner of the Product.

On Gambler, Voltage FR and Volt-X the warranty period is limited to two years.

Repaired or replaced Products are covered for the remainder of the original warranty period and subject to the conditions outlined in the original warranty, to the extent permitted by law.

Hereby SCOTT grants a worldwide voluntarily manufacturer’s warranty. To the extent permitted by law and unless a shorter duration is stipulated by law, any warranties implied by law are limited in duration to maximum five, respectively two years, from the date of purchase of the Product and are limited to the first purchaser of the Product.

What will SCOTT do in the event of a guarantee case?

SCOTT will replace the defective product with a product of a quality or nature and similar level, will repair or refund the purchase price (after presentation of the proof of purchase of the product), at its sole discretion. Non-defective components are replaced at your expense. In such a case, we will contact you before replacing the non-defective part for your agreement.

What does this limited warranty not cover?

This limited warranty does not cover defects which did not exist before the transfer of risks. This limited warranty does not cover Products used in rental operations. This

limited warranty does not cover purchases of not completely assembled bikes. This limited warranty does not cover any defect caused by “wear and tear” (a complete list of all parts of “wear and tear” can be found in the general manual that came with your bike), accident, neglect, improper handling, colour fade due to exposure to sunlight, abuse, misuse, an act of God, improper assembly, non-compliance with recommended maintenance and care procedures, improper or incorrectly performed maintenance or repairs performed by someone other than an authorized SCOTT dealer, use of parts or devices not consistent with the Product, and alteration of the Product.

All Products come with a manual; please carefully follow the instructions located there or affixed elsewhere to the Product. To the extent permitted by law, consequential and incidental damages are not recoverable under this limited warranty.

How do you make a claim under this limited warranty?

To make a claim under this limited warranty, you must notify SCOTT of the claimed defect within the warranty period and timely return the Product to SCOTT at your expense for inspection. Please contact your authorized SCOTT dealer, call SCOTT’s customer service or the national SCOTT distributor (dealer locator: www.scott-sports.com). All returned Products must be accompanied by proof of purchase (receipt) from an authorized SCOTT dealer or this limited warranty will not apply. In case of replacement or refund, returned Product becomes the property of SCOTT.

A protocol for the handing over of the Product (which you will find at the end of the manual) will remain in copy at the SCOTT dealer after acceptance and signature of the consumer. It is obligatory to show this protocol of handing over together with the defective part in case of a warranty claim given that it provides evidence of purchase or this limited warranty will not apply.

How do state laws affect your rights under this limited warranty?

This limited warranty gives you specific legal rights, and you may also have other rights, which vary from state to state.

Recommendation

We strongly recommend that you use only authorized SCOTT dealers for yearly maintenance services and for repairs, as improper or incorrectly performed maintenance or repairs voids this limited warranty. Costs for maintenance service have to be borne by the consumer.

	Year 1	Year 2	Year 3	Year 4	Year 5
SCOTT Bikes	■	■	■	■	■
Gambler, Voltage FR, Volt-X	■	■			

Regular Warranty Period

Option for prolongation according to maintenance intervals shown in manuals attached to bikes