

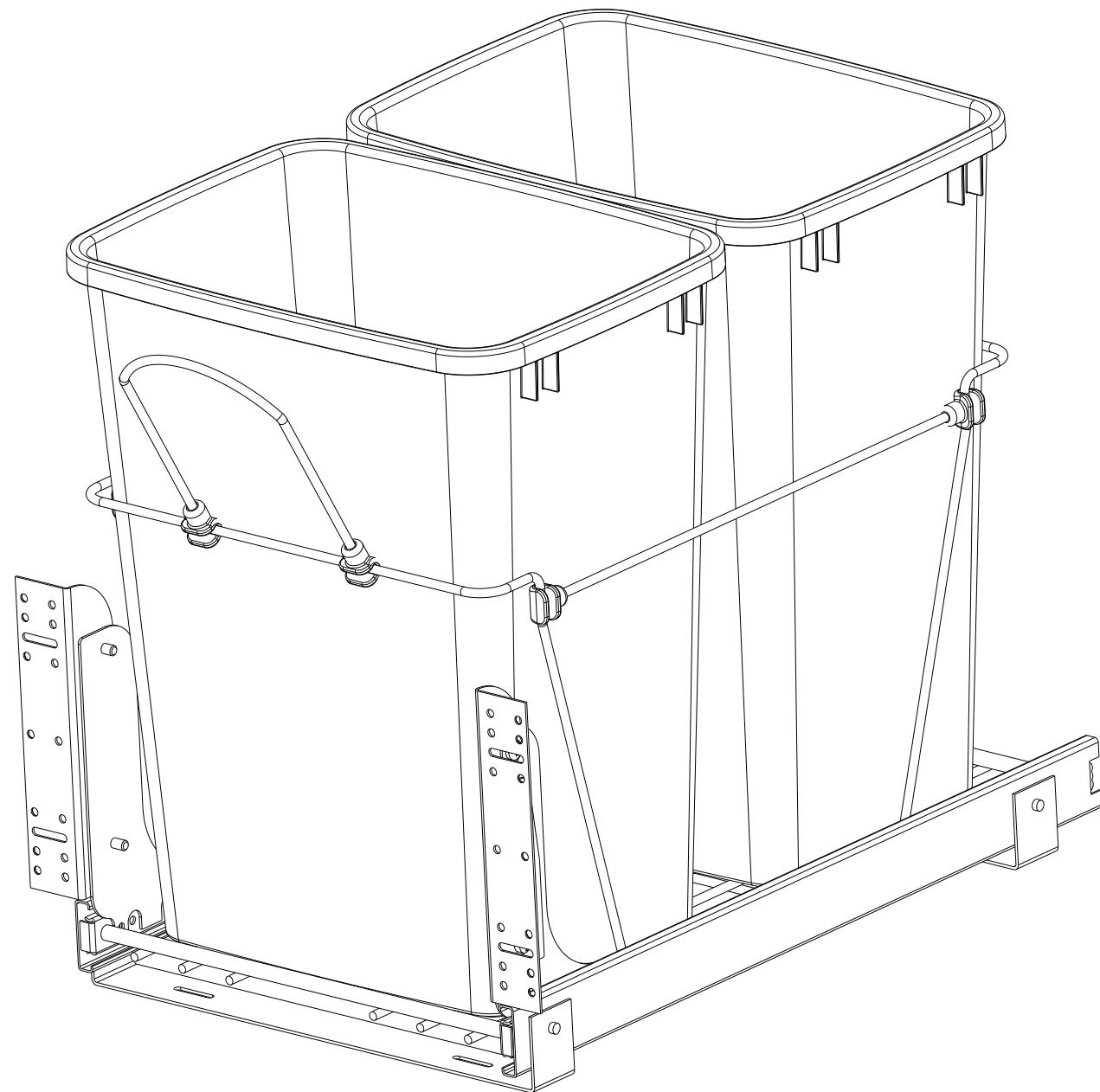
SCALE 0.250

CUSTOMER DRAWING

This drawing is the property of Rev-A-Shelf (RAS) and is disclosed in confidence to the extent its subject matter is original to RAS. Any vendor receiving this drawing from RAS shall hold and use this drawing for the sole benefit of RAS and shall not disclose it to, or use or reproduce it for any third party, or perform any act adverse to the interest of RAS with respect to this drawing without the express written permission of RAS. Vendors shall not revise any physical, dimensional or performance characteristic unless authorized by Rev-A-Shelf Engineering.

REV.	DATE	BY	DESCRIPTION OF CHANGE
A	8-3-11	KRR	ECN11-049

INCH [MM]	AMERICAN PROJECTION	DRAWN	BY	DATE	REV-A-SHELF, INC.	
		SLW		3/21/07	SIZE	DOUBLE 35 QT.
TOLERANCES		ANGLES ±1/2°	MATERIAL	DRAWING NO.	SCALE	
MAT.	DEC.		SEE NOTES	RV-18KD-17C_S	0.200	
(WOOD) .XX ±.03 [.8mm]			FINISH	PART NO.	SHEET OF	
(OTHER) .XX ±.02 [.5mm]			SEE NOTES	RV-18KD-17C_S	1	2
(ALL) .XXX ±.005 [.13 mm]						
FRACTIONS ±1/32 [.8 mm]						



PART DIMENSIONS		
	MIN	MAX
WIDTH	14.21	
DEPTH	22.00	
HEIGHT	19.25	
WEIGHT		
DIAMETER		
RADIUS		
CONTAINER CAPACITY	35 (2X)	
CONTAINER UOM	QUART	

MIN CABINET OPENING	
WIDTH	14.50
DEPTH	22.25
HEIGHT	19.75

PRODUCT MAX WEIGHT RATING

SLIDE SPECIFICATIONS				
SLIDE TYPE	BALL BEARING	SLIDE EXTENSION	FE	MAX WEIGHT RATING
SLIDE CLOSING	N/A	SLIDE LENGTH	550mm	
SLIDE MOUNTING	BOTTOM	SLIDE FINISH	ZINC PLATED	100LB

CUSTOMER DRAWING

This drawing is the property of Rev-A-Shelf (RAS) and is disclosed in confidence to the extent its subject matter is original to RAS. Any vendor receiving this drawing from RAS shall hold and use this drawing for the sole benefit of RAS and shall not disclose it to, or use or reproduce it for any third party, or perform any act adverse to the interest of RAS with respect to this drawing without the express written permission of RAS. Vendors shall not revise any physical, dimensional or performance characteristic unless authorized by Rev-A-Shelf Engineering.

REV.	DATE	BY	DESCRIPTION OF CHANGE
A	8-3-11	KRR	ECN11-049

INCH [MM]	AMERICAN PROJECTION	DRAWN	BY	DATE	REV-A-SHELF, INC.
			SLWB	3/21/07	
			SIZE	DOUBLE 35 QT.	
			MATERIAL	DRAWING NO.	SCALE
			SEE NOTES	RV-18KD-17C_S	0.250
			FINISH	PART NO.	SHEET OF
			SEE NOTES	RV-18KD-17C_S	2 OF 2

TOLERANCES
 MAT. DEC.
 (WOOD) .XX ±.03 [.8mm]
 (OTHER) .XX ±.02 [.5mm]
 (ALL) .XXX ±.005 [.13 mm]
 FRACTIONS ±1/32 [.8 mm]

ANGLES ±1/2°