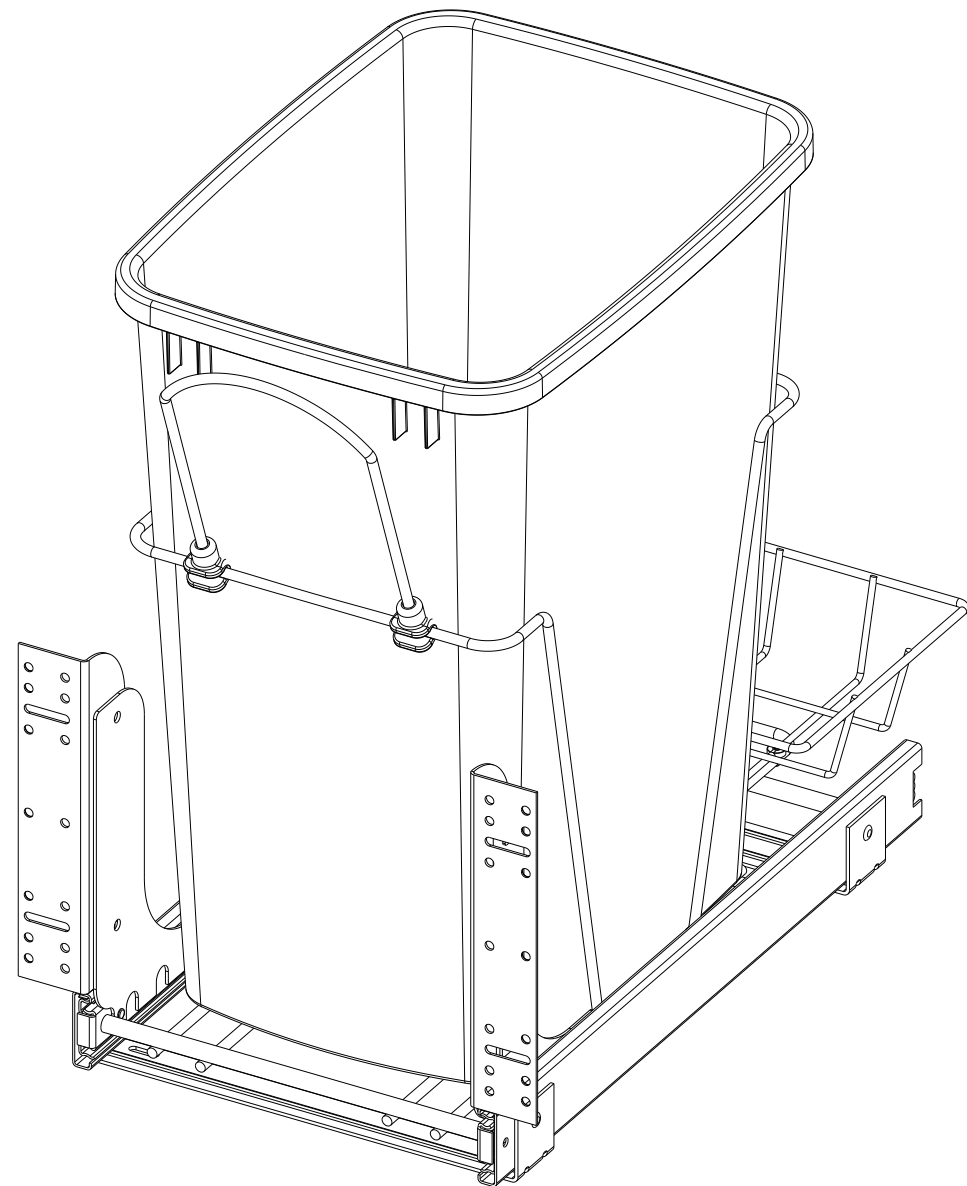


CUSTOMER DRAWING

This drawing is the property of Rev-A-Shelf (RAS) and is disclosed in confidence to the extent its subject matter is original to RAS. Any vendor receiving this drawing from RAS shall hold and use this drawing for the sole benefit of RAS and shall not disclose it to, or use or reproduce it for any third party, or perform any act adverse to the interest of RAS with respect to this drawing without the express written permission of RAS. Vendors shall not revise any physical, dimensional or performance characteristic unless authorized by Rev-A-Shelf Engineering.

REV.	DATE	BY	DESCRIPTION OF CHANGE
E	7-2-18	KRR	ECN18-033

INCH [MM]	AMERICAN PROJECTION 	DRAWN	BY	DATE	REV-A-SHELF, INC.	
			PFC	2/16/11	SIZE B	RV12 WITH REAR BASKET CHROME
TOLERANCES MAT. DEC. (WOOD) .XX ±.03 [.8mm] (OTHER) .XX ±.02 [.5mm] (ALL) .XXX ±.005 [.13 mm] FRACTIONS ±1/32 [.8 mm]		ANGLES ±1/2°	MATERIAL	DRAWING NO.	SCALE	
			CHROME	RV-12KD-17C_S	0.175	
				PART NO.	SHEET OF	
				RV-12KD-17C_S	1	2



PART DIMENSIONS		
	MIN	MAX
WIDTH	10.46	
DEPTH	20.80	
HEIGHT	18.82	
WEIGHT		
DIAMETER		
RADIUS		
CONTAINER CAPACITY	35	
CONTAINER UOM	QT	

MIN CABINET OPENING	
WIDTH	10.63
DEPTH	21.00
HEIGHT	19.25

PRODUCT MAX WEIGHT RATING

SLIDE SPECIFICATIONS				
SLIDE TYPE	BALL BEARING	SLIDE EXTENSION	FULL EXTENSION	MAX WEIGHT RATING
SLIDE CLOSING	NONE	SLIDE LENGTH	17.75"	
SLIDE MOUNTING	STRAP	SLIDE FINISH	ZINC	100 LB

CUSTOMER DRAWING

This drawing is the property of Rev-A-Shelf (RAS) and is disclosed in confidence to the extent its subject matter is original to RAS. Any vendor receiving this drawing from RAS shall hold and use this drawing for the sole benefit of RAS and shall not disclose it to, or use or reproduce it for any third party, or perform any act adverse to the interest of RAS with respect to this drawing without the express written permission of RAS. Vendors shall not revise any physical, dimensional or performance characteristic unless authorized by Rev-A-Shelf Engineering.

REV.	DATE	BY	DESCRIPTION OF CHANGE
E	7-2-18	KRR	ECN18-033

	AMERICAN PROJECTION	BY	DATE	REV-A-SHELF, INC.	
	INCH [MM]	DRAWN	PFC	2/16/11	SIZE B
TOLERANCES MAT. DEC. (WOOD) .XX ±.03 [.8mm] (OTHER) .XX ±.02 [.5mm] (ALL) .XXX ±.005 [.13 mm] FRACTIONS ±1/32 [.8 mm]		MATERIAL	DRAWING NO.	RV-12KD-17C_S	SCALE
ANGLES ±1/2°		FINISH	PART NO.	RV-12KD-17C_S	SHEET 2 OF 2