

# Network Mini Dome Camera

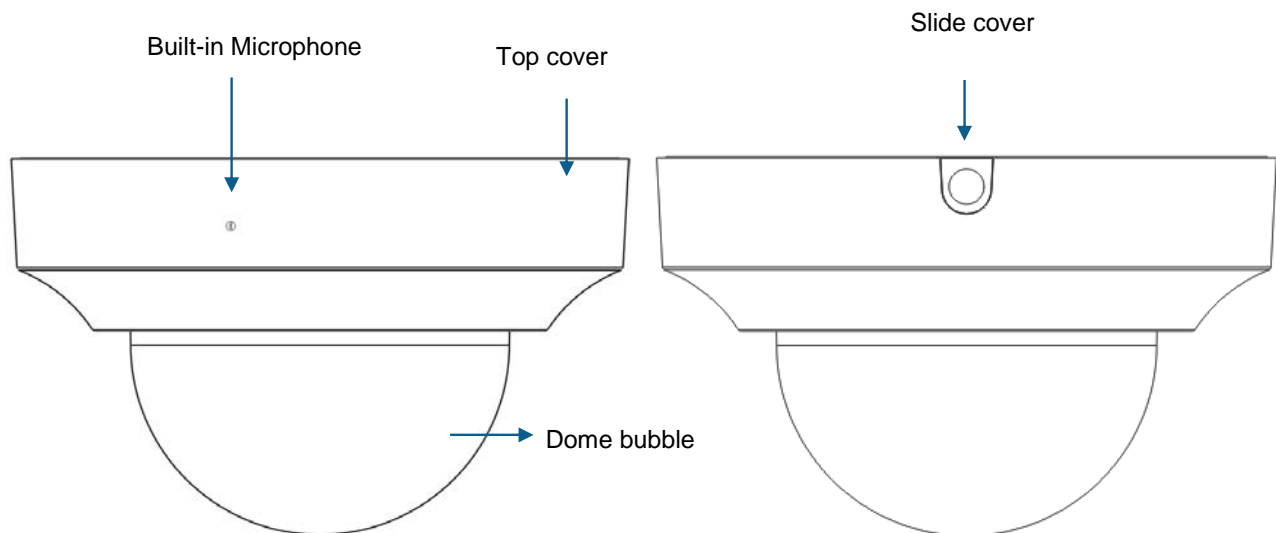
## Hardware Installation Guide

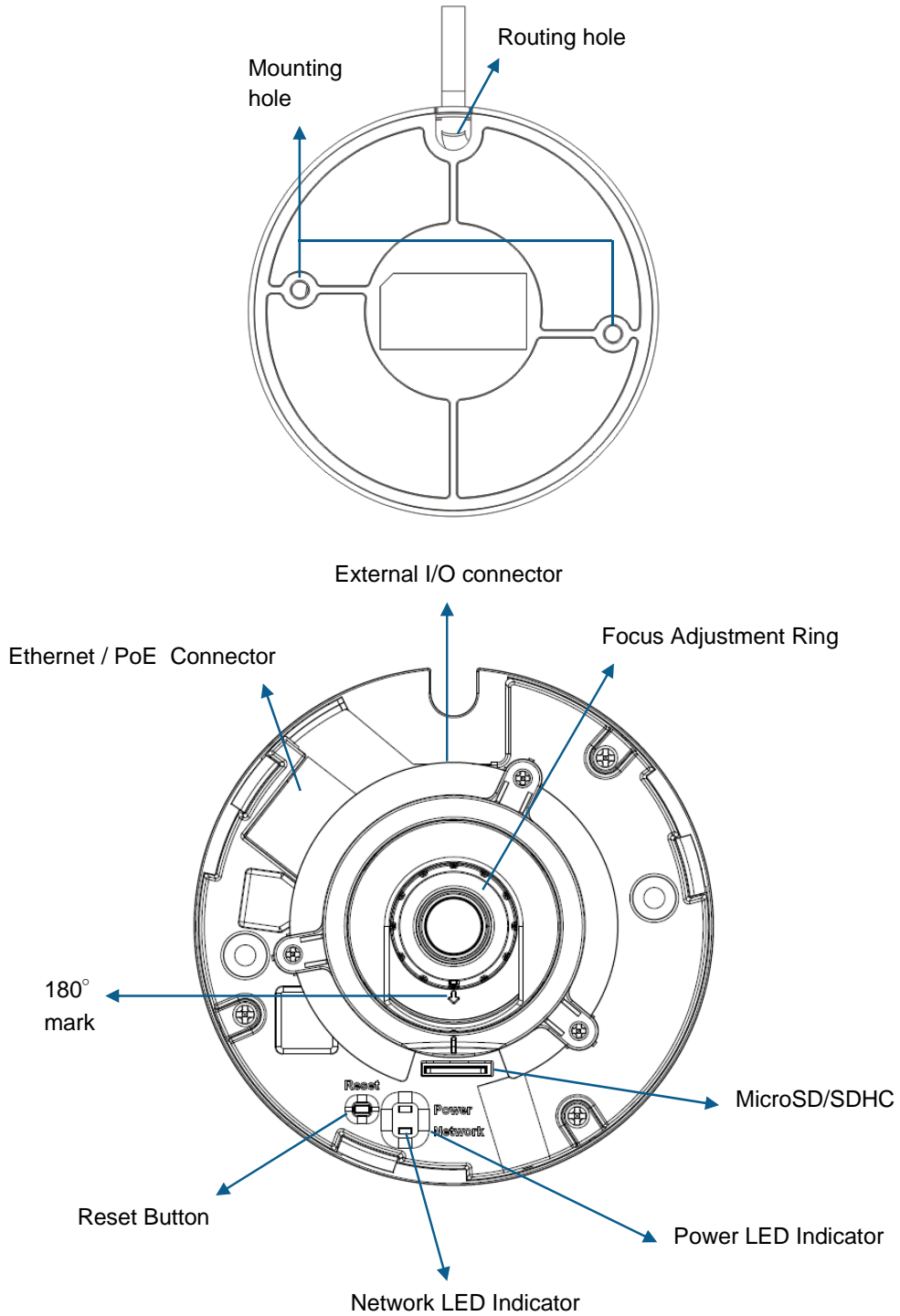


## Package Contents

<b>Dome Camera</b>	IDC-757IR Outdoor Megapixel Night-Vision Network Dome Camera
<b>Quick Installation Guide</b>	Brief product information and quick installation
<b>Software CD</b>	IP Surveillance Software Intelligent IP Installer User Manuals Language Packs
<b>Accessories</b>	6 pin terminal cable for DI/DO and audio  Screw pack for wall and ceiling mounting (2 screws, 2 plastic wall anchors)  Focus Adjustment  Drill Template

## Hardware Description

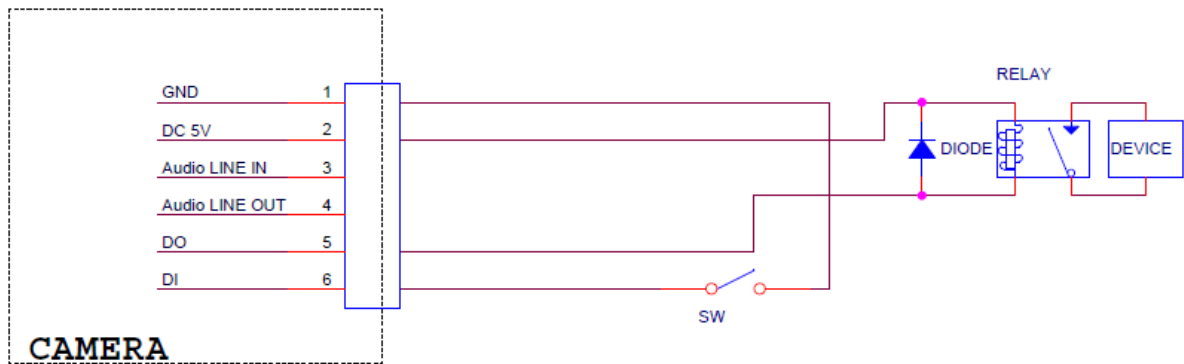




## Factory Reset

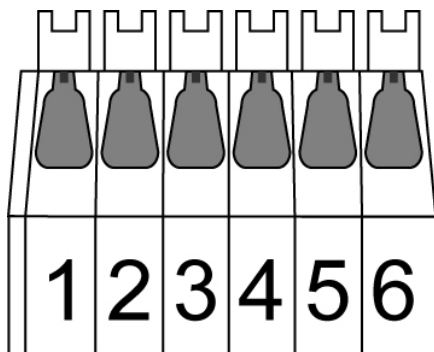
**Reset:** With the camera turned on, press the reset button briefly to reboot the camera, or hold the reset button for 10 seconds to set all settings back to factory default values.

## I/O Terminal Block



The Intellinet Network Camera provides an external I/O terminal block which is used to connect input / output devices such as alarms or sensors. The pin definitions are described below

PIN	Definition	Description	Max. V/A
1	Ground		-
2	+ 5V DC		5V DC 0.5W
3	AUDIO_In(+)	Unbalanced, 1.4Vp-p, 1Vrms, terminal block	-
4	AUDIO_In(+)	Unbalanced, 1.4Vp-p, 1Vrms, terminal block	-
5	Digital Output 1	Uses an NPN transistor with the emitter connected to the GND pin. If used with an external relay, a diode must be connected in parallel with the load for protection against voltage transients.	100 mA 24V
7	Digital Input 1	Connected to GND to activate, or leave floating (or unconnected) to deactivate.	30V DC

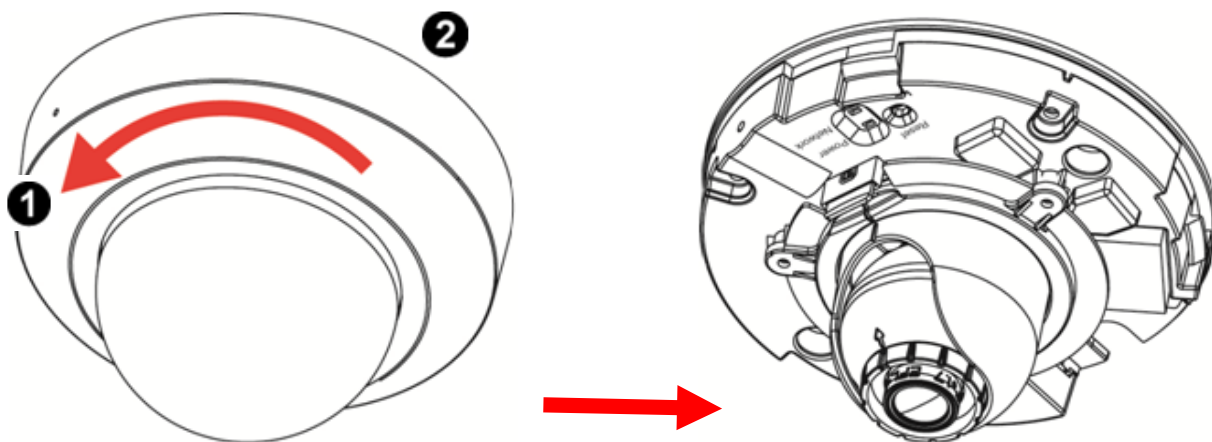


## LED Indicators

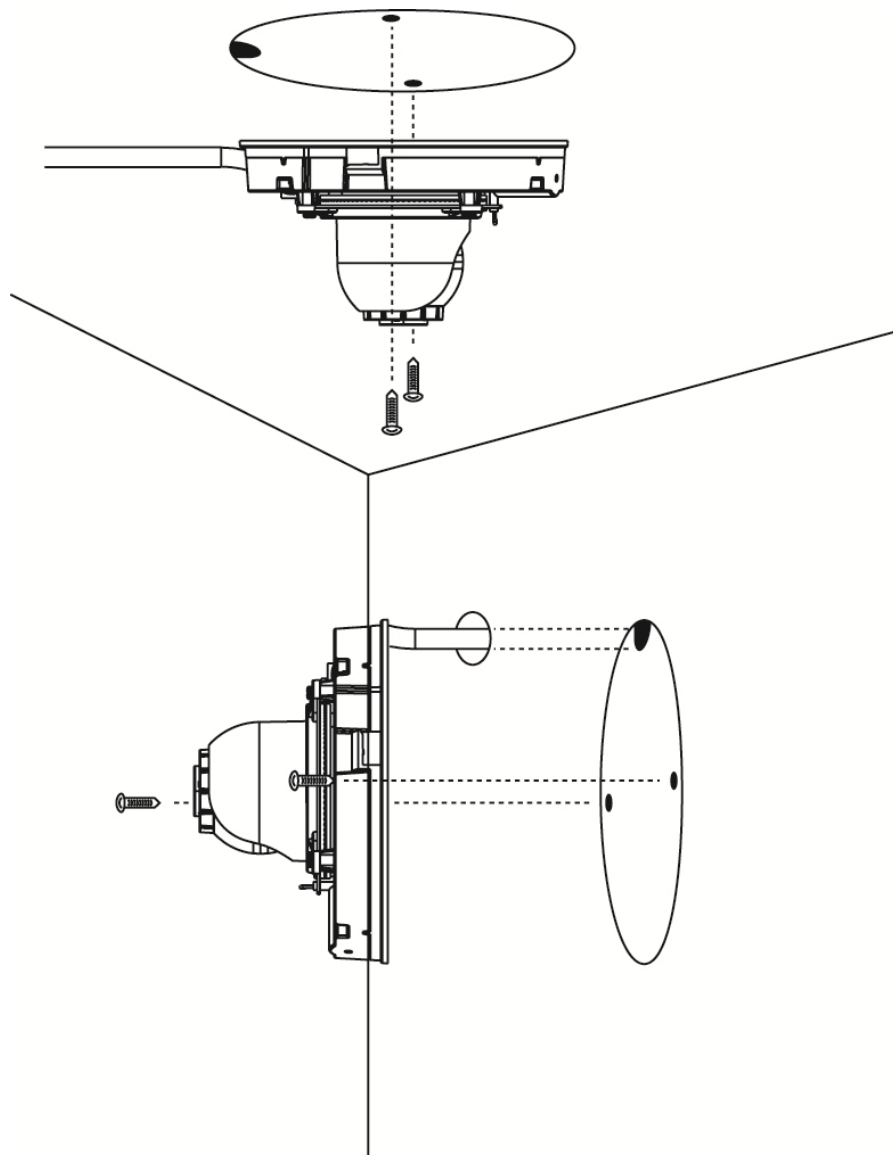
LED	Color	Indication
Network	Blue	Network activity is indicated by a flashing blue LED.
Power	Red	Steady red during booting up process
	Blue	Turns blue upon completion of start-up
	Purple	Flashing during firmware upgrade
	Unlit	Off when press reset button is pressed

## Hardware Installation

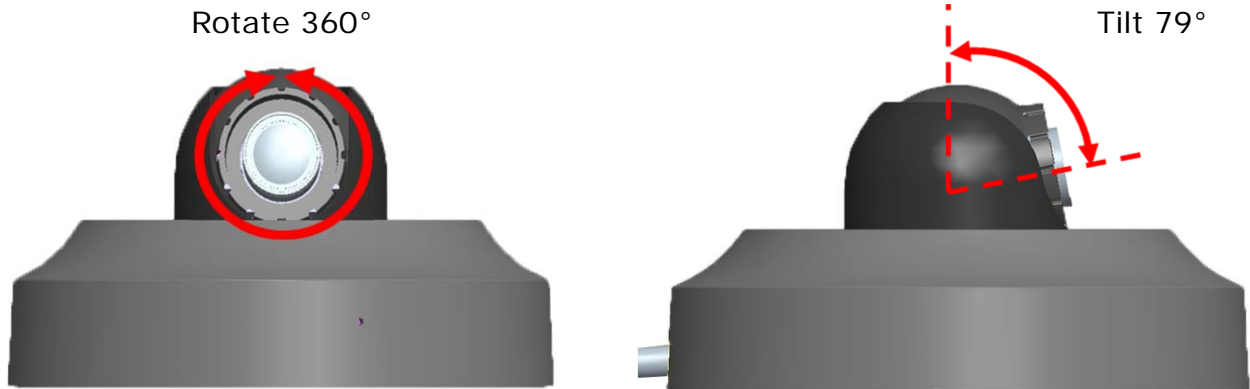
- 1) To open the camera housing use one hand to hold top cover and another hand to push against the bottom of the camera housing.
- 2) Shift top cover to left (counter-clockwise) to open the dome cover. The cover will not easily come off unless you apply a certain amount of force.



- 3) Attached the drill template to the wall. Drill three holes into the wall (two for screws and one for the connection cable if you want to route cables through conduit hole). Then push the supplied plastic anchors into the screw holes and secure the plate with supplied screws.
- 4) Align the three holes on the base of camera with the two plastic anchors on the wall or ceiling, insert the supplied screws to the corresponding hole and screw them.
- 5) Adjust the angle of camera to aim the shooting area.

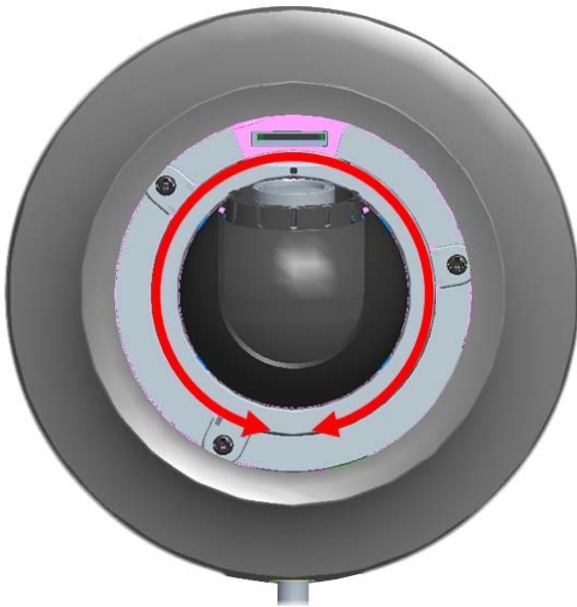


## Lens Adjustment



**WARNING:**

DO NOT rotate the lens more than 360 degrees. Doing so will damage the camera lens module.



Pan 344°

## Cable Connections

### Power over Ethernet (PoE)

Using a standard RJ-45 network cable, connect the dome camera to a IEEE802.3af/at compliant PoE switch or PoE injector.



### RJ-45 Cable

Due to the very compact housing dimensions, using a network cable with a molded boot is not advisable. There is not enough room to connect the RJ45 connector to the socket without bending the cable, which will likely short the lifespan. We recommend using a network cable without a modeled strain relief boot.

### Accessing the camera

Start the IP Installer application to set up the camera. More information can be found in the user manual on the installation CD.





INTELLINET NETWORK SOLUTIONS™ offers a complete line  
of active and passive networking products.  
Ask your local computer dealer for more information or visit

**[www.intellinet-network.com](http://www.intellinet-network.com)**

Copyright © INTELLINET NETWORK SOLUTIONS  
All products mentioned are trademarks or registered trademarks of their respective  
owners.