

UK 10-Bay AC Charging Cabinet **Instructions**

Model 181211 v2



Important: Read before use.



For additional benefits:

**Scan to register your
product warranty**



or visit: register.manhattanproducts.com/r/181211



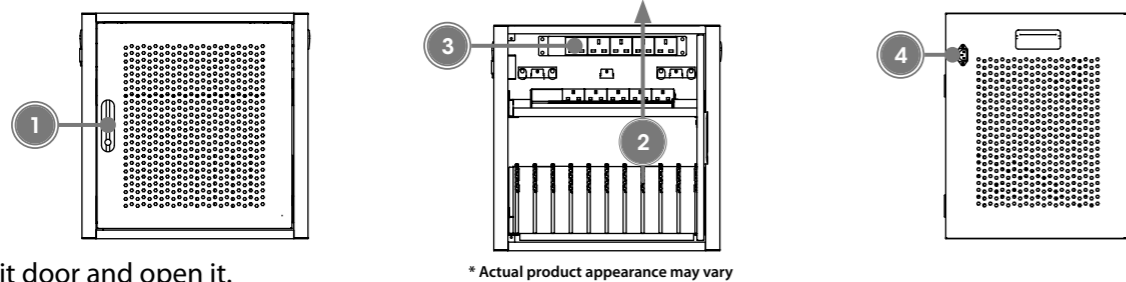
For specifications, please visit manhattanproducts.com. Register your product at register.manhattanproducts.com/r/181211 or scan the QR code on the cover.

Using the Lock

To open the door: Turn the key in the lock. Once the cabinet is unlocked, pull up from the bottom of the handle and turn it 90° CCW; then open the door.

To close the door: Close the door, turn the handle 90° CW and push it back into its closed state. Once the cabinet is secure: Lock the door with a key.

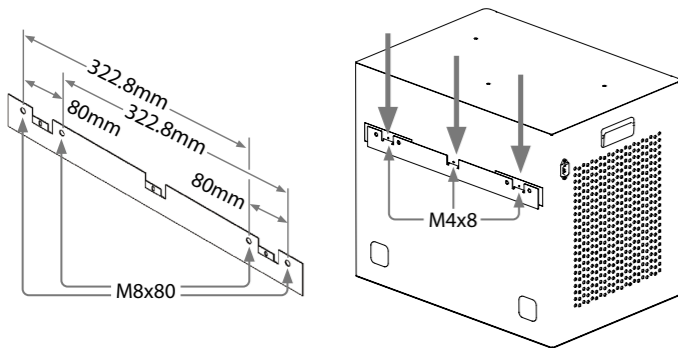
Setup



* Actual product appearance may vary

- 1 Unlock unit door and open it.
- 2 The default slot size is 430 × 272 × 35 mm. To accommodate a larger device, remove the appropriate slot divider by pushing it to the back of the cabinet and lifting it out. To reinstall a divider, align its tab(s) with the appropriate slot(s) and pull it toward you until it locks into place.
- 3 Connect power adapters to power outlets. Place the adapters into the slots on the top shelf. Pass the plugs behind the adapters slots, down to the device slots. Fix the cables with the cable holders on the dividers.
- 4 Connect unit power cable to power outlet. Unit automatically begins to charge devices.

Mounting to the Wall

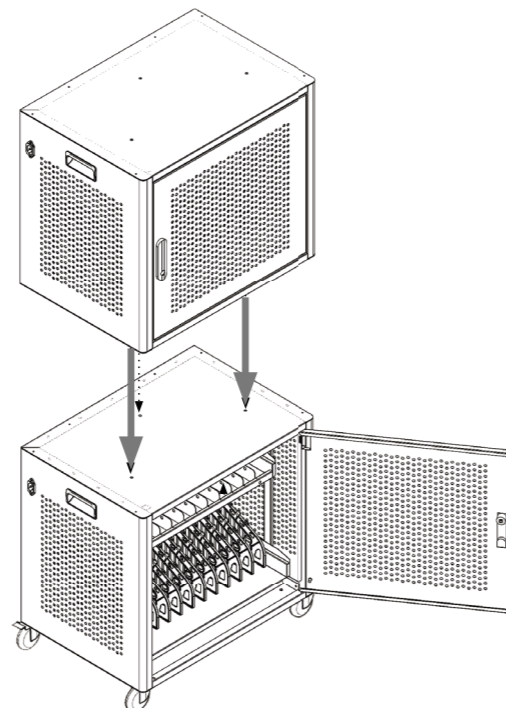


- 1 Position the wall plate as desired, use a level to ensure it's straight, and measure the mounting area for accuracy.
- 2 Drill four holes, then secure the wall plate to the wall using the provided M8x80 screws.
- 3 Hang the cabinet mounting notches over and onto the mounting hooks of the wall plate attached to the wall.
- 4 Secure the Charging Cabinet to the wall plate with the supplied M4x8 screws.

Stacking the Units*

NOTE: Make sure all power is cut off from unit!

- 1 Align the stacking holes on the top and bottom of the cabinets.
- 2 Tighten M6x12 screws into both cabinets from the ceiling of the bottom cabinet.



WASTE ELECTRICAL & ELECTRONIC EQUIPMENT

Disposal of Electric Equipment (applicable in the E.U. and other countries with separate collection systems)

This symbol on the product or its packaging means that this product must not be treated as unsorted household waste. In accordance with EU Directive 2012/19/EU on Waste Electrical and Electronic Equipment (WEEE), this electrical product must be disposed of in accordance with the user's local regulations for electrical or electronic waste. Please dispose of this product by returning it to your local point of sale or recycling pickup point in your municipality.

WARRANTY AT:
manhattanproducts.com

GENERAL PRODUCT SAFETY INSTRUCTIONS

- This product is intended for indoor use only. Do not expose to rain, moisture, or excessive humidity.
- Keep away from heat sources, open flames, and direct sunlight.
- Use the brakes on the casters to prevent unintentional rolling.
- Only use the included power cable or an equivalent rated C13 to AC plug cable.
- Do not use with daisy-chained power strips or extension cords.
- Unplug the cart from the mains before cleaning or performing any maintenance. Clean only with a dry or slightly damp cloth. Do not use chemicals, sprays, or water.
- Ensure the ventilation slots are not obstructed. Proper airflow is essential for cooling and safe operation.
- Regularly check power cables, locks, and casters for signs of wear or damage.

REGULATORY STATEMENTS

CE/UKCA

This device complies with the requirements of CE 2014/30/EU (UKCA Electromagnetic Compatibility Regulations 2016) and / or 2014/35/EU (UKCA Electrical Equipment [Safety] Regulations 2016). The Declaration of Conformity for is available at:

support.manhattanproducts.com/barcode/181211

POWER INFORMATION

Input	220.0 - 240.0 V, 10.0 A, 50 - 60 Hz
Power (max.)	2300 W



North & South America
IC Intracom Americas
550 Commerce Blvd.
Oldsmar, FL 34677, USA

Asia & Africa
IC Intracom Asia
4-F, No. 77, Sec. 1, Xintai 5th Rd.
Xizhi Dist., New Taipei City 221, Taiwan

Europe
IC Intracom Europe
Löhbacher Str. 7, D-58553
Halver, Germany

All trademarks and trade names are the property of their respective owners.



manhattanproducts.com

© IC Intracom. All rights reserved. Manhattan is a trademark of IC Intracom, registered in the U.S. and other countries.