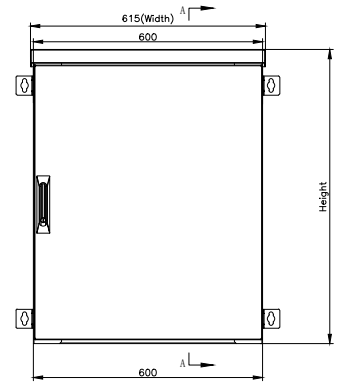
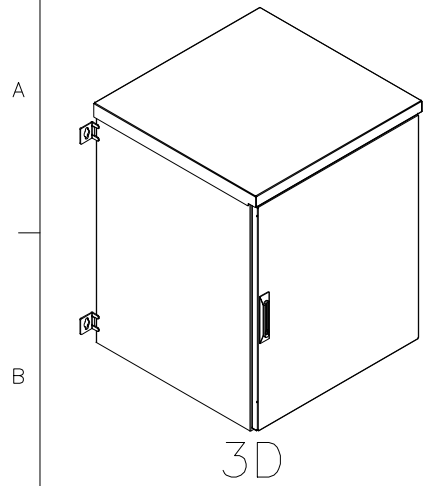
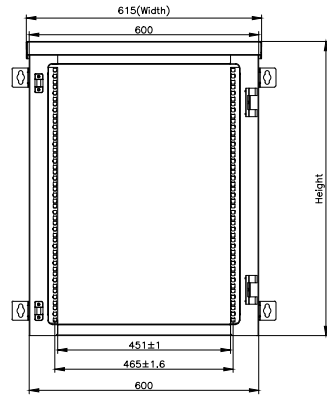


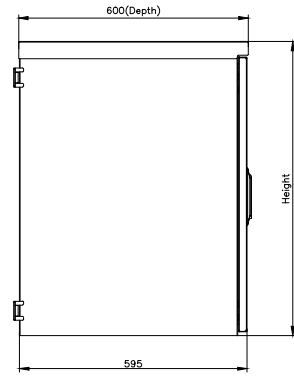
REV.	DESCRIPTION	ENG.	APPROVAL



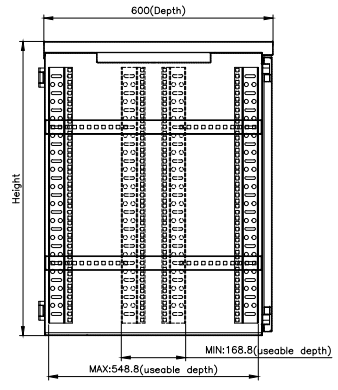
Front



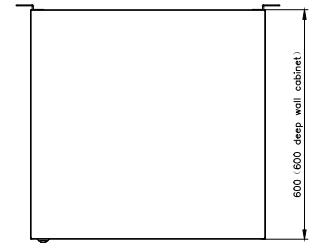
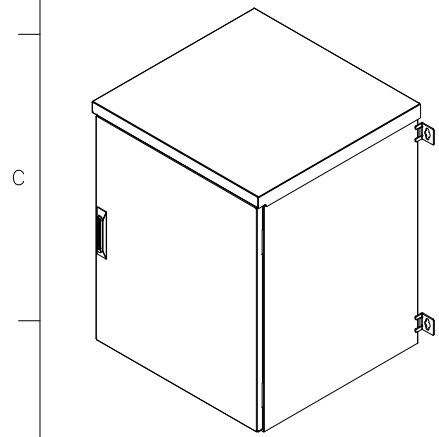
Front(remove the front door)



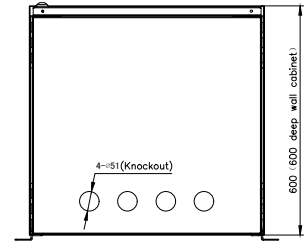
Side



A-A SECTION



Top



Bottom

Standard:
Comply with ANSI/EIA RS-310-D, IEC60297-2, DIN41494; PART1 ; DIN41494;PART7

Material:
SPCC Cold Rolled Steel ; 19" rails : 2.0mm, others: 1.2mm

Loading capacity:
Static loading: 100KG

Feature:

- Welded frame.
- The bottom is with φ51Rubber seal cable entry hole.
- The front door is with sealed strip with three-point lock. The door opening angle greater than 180 degrees. Whole sealed side panel.
- IP rate:55

Model No.	Capacity(U)	Width (mm)	Depth (mm)	Height (mm)	Colour
716086	6	615	600	370	Gray
716093	9	615	600	500	Gray
716109	12	615	600	635	Gray
716123	18	615	600	902	Gray

THESE DRAWINGS AND SPECIFICATIONS ARE THE PROPERTY OF INTRACOM Asia Co.,Ltd. AND SHALL NOT BE REPRODUCED COPIED OR USED IN ANY MANNER WITHOUT THE PRIOR WRITTEN CONSENT OF INTRACOM Asia Co.,Ltd.

UNLESS OTHERWISE SPECIFIED: DIMENSIONS ARE IN MILLIMETERS ANGULAR TOLERANCE: ±1°

TOLERANCE(INCH)		TOLERANCE(MM)	
x	±0.02"	x	±0.5mm
x.x	±0.01"	x.x	±0.20mm
x.xx	±0.008"	x.xx	±0.15mm
x.xxx	±0.005"	x.xxx	±0.10mm

TITLE:		APPD	V-100843		
		Check			
CUSTOMER:		Drawer	Date		2020. 12. 3
		CUSTOMER P/N:	Unit	mm	Projection
ICT P/N: 716086 716093 716109 716123		Scale	1:1	Size.	A4
DWG.NO:		Sheet	1 of	REV.	A