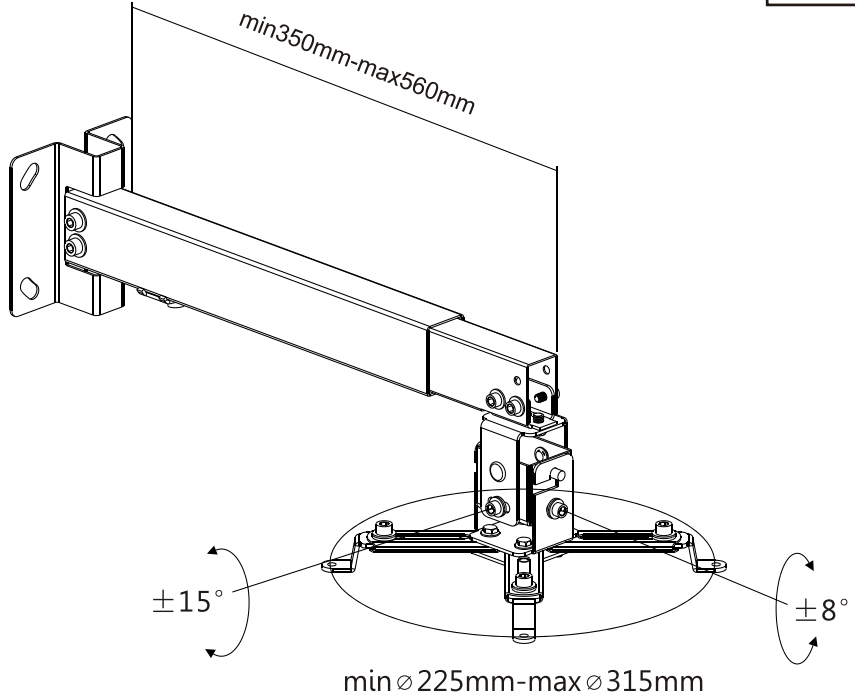
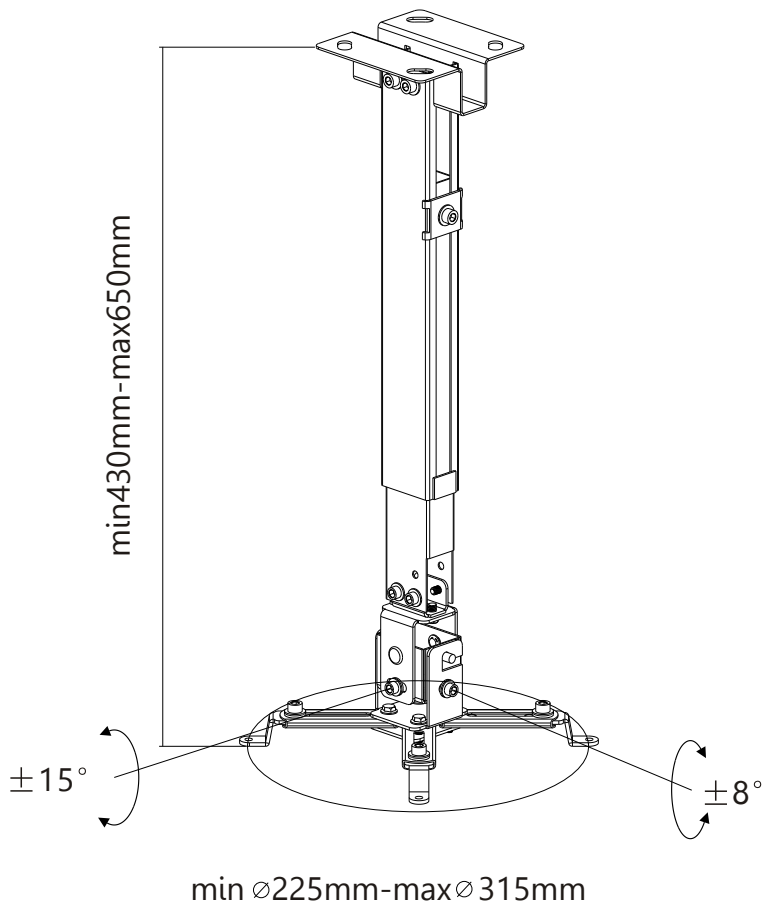


PART NO	COLOR
461191	Silver
461207	Black



THESE DRAWINGS AND SPECIFICATIONS ARE THE PROPERTY OF INTRACOM Asia Co.,Ltd. AND SHALL NOT BE REPRODUCED COPIED OR USED IN ANY MANNER WITHOUT THE PRIOR WRITTEN CONSENT OF INTRACOM Asia Co.,Ltd.

UNLESS OTHERWISE SPECIFIED: DIMENSIONS ARE IN MILLIMETERS ANGULAR TOLERANCE: ±1°

	TOLERANCE (MM)
Mounting Profile	± 5mm
Product Size	± 2mm
VESA	± 1mm

		安達康股份有限公司 INTRACOM Asia Co.,LTD.			
TITLE:		APPD	VID	V101824	
		Check	WHJ		
CUSTOMER:		Drawer	HSJ	Date 2016.05.06	
CUSTOMER P/N:		Unit	mm	Projection	☞
ICT P/N: 461191/461207		Scale	1:1	Size	A4
DWG.NO:		Sheet	1 of	REV.	C