



DisplayPort to VGA Converter Cable

DisplayPort Male to HD15 Male, Black

Easily connect a DisplayPort source with a VGA display.

The MANHATTAN® DisplayPort to VGA Converter helps establish a fast, simple and convenient link between newer DisplayPort-equipped desktop and notebook computers and other media sources with existing VGA monitors. The MANHATTAN DisplayPort to VGA Converter is easy and quick to install and requires no complicated configuration or setup to help extend the service life and fully realize the investment and value of legacy VGA displays, projectors and other equipment. This low power, cost-effective and reliable solution allows PC users to transition to DisplayPort bandwidths, resolutions, Deep Color and more without the expense of upgrading to newer and costly monitors and projectors. Its integrated, all-in-one design helps achieve a compact, integrated solution that eliminates unnecessary cables, tangles and clutter to keep installations and workspaces neat and orderly.

Model	Length
325332	1.8 m (6 ft.)
325349	3.0 m (10 ft.)

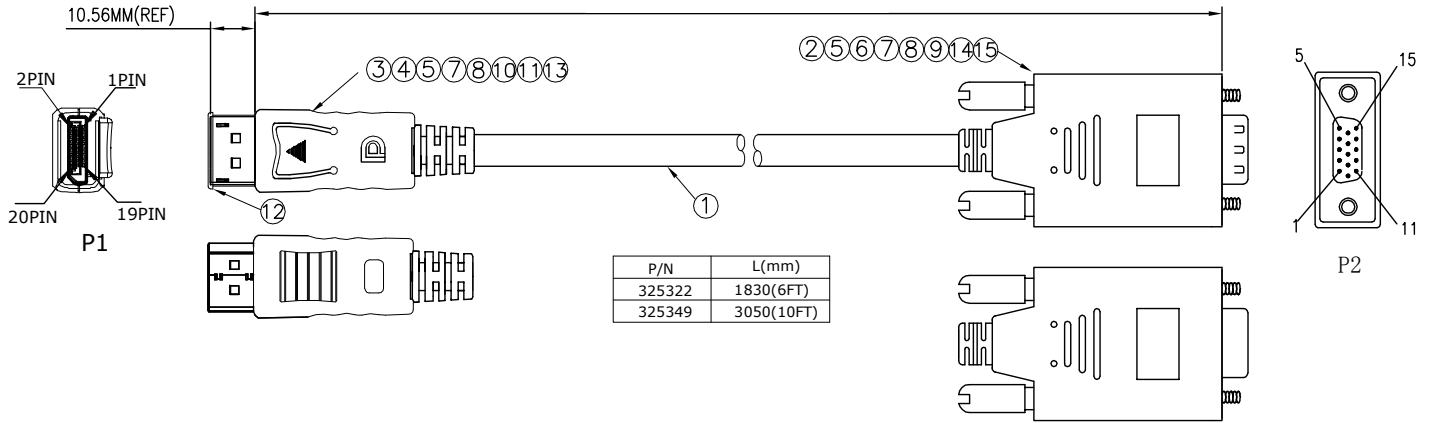
Lifetime Warranty

Strict manufacturing standards ensure the highest quality in all MANHATTAN products. All items carry a full Lifetime Warranty — the strongest quality commitment anyone can make.

Model
325332
325349



Technical Drawing

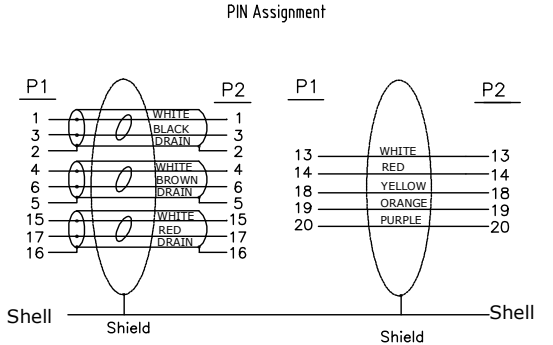


ELECTRICAL TEST:

- 1.100% OPEN SHORT & MIS WIRE TEST
- 2.CONTACT RESISTANCE:1 OHM(MAX)
- 3.INSULATION RESISTANCE:10M OHM(MIN)
- 4.HI-POT TEST:DC 300V/10ms

THESE DRAWINGS AND SPECIFICATIONS ARE THE PROPERTY OF MANHATTAN AND SHALL NOT BE REPRODUCED, COPIED OR USED IN ANY MANNER WITHOUT THE PRIOR WRITTEN CONSENT OF MANHATTAN.

15	A6-R104458	VGA (DP to VGA M PCB) PC+ABS Down SHELL,COLOR:BLACK OD:6.0MM	1	pcs
14	A6-R104457	VGA (DP to VGA M PCB) PC+ABS UP SHELL,COLOR:BLACK,OD:6.0MM	1	pcs
13	A10-R075133	Black Ø1.5*16mm. thick	1	pcs
12	A6-0000099	DisplayPort Transparent Cover	1	pcs
11	A6-R104226	DisplayPotr M(DP01#)ABS Down SHELL,COLOR:BLACK	1	pcs
10	A6-R104225	DisplayPotr M(DP01#)ABS Up SHELL,COLOR:BLACK	1	pcs
9	A10-R075132	H.S.T:Ø1.5*5mm.	1	pcs
8	A10-R075147	H.S.T:Ø1.0*10mm.	6	pcs
7	A10-R075148	H.S.T:Ø2.5*15mm.	6	pcs
6	A7-R040059	SCREW: #4-40UNC 2.8*58.25MM NICKEL PLATED	2	pcs
5	A5-R047001	45P BLACK PVC	38	g
4	A5-R047011	Transparent PE	5	g
3	A2-R021274	DisplayPort M INSULATION:BLACK SHELL NICKEL, PIN GOLD 5u W/PCB	1	pcs
2	A7-R101155	PCBA DP-VGA OR mini DP to VGA (Gold Plated Inslation Black) Empty PCB+Patch+Solder	1	set
1	A4-R001624	Display Port UL20276 (7/0.127TA*1PR+EAM)*3C+7/0.127TA*5C+AEB(AL)85% OD:6.0MM BLACK JACKET	1	pcs
NO	CELINK P/N	DESCRIPTION	Q'TY	UNIT



REV.	DESCRIPTION			DATE
	TOLERANCE INCHES	M/M		
	.X	.015 .30		
	.XX	.010 .10		
	.XXX	.005 .05	TITLE: DP M TO VGA M 28AWG GOLD PLATED L=6FT	
	DRAWN BY	CUSTOMER :		
	CHECK BY	CUSTOMER P/N :		
	APPD BY	SCALE	NONE	DRAWING NO.:
		UNIT	MM	
		DATE	09.12.11	
				REV. A
				1/1

Features

- Easily connects DisplayPort-equipped computers with VGA monitors, projectors and more
- Delivers a high-quality digital video signal – ideal for extending service of legacy VGA equipment
- Supports Deep Color, high-bandwidth 10.8 Gbps applications and resolutions up to 1080p on 1920 x 1200 (WUXGA) displays
- Integrated design simplifies connections and eliminates cable tangles and clutter
- Plug and Play – Windows and Mac compatible
- Lifetime Warranty

Specifications

STANDARDS AND CERTIFICATIONS

- UL 20276

CONNECTORS

- (1) DisplayPort 20-pin male
- (1) HD 15-pin male
- Nickel-plated connector
- Gold-plated contacts
- Molded PVC
- Built-in strain relief

CABLE

- 28 AWG conductors
- Withstanding voltage: 300 V DC

- Thermal plastic casing
- Shielded

GENERAL

- Maximum single link range: 1920 x 1200, 1080P
- VGA resolution: up to 1920 x 1200
- Frequency: 154 MHz / 144 MHz

PACKAGE CONTENTS

- DisplayPort Converter Cable

For more information on MANHATTAN products, consult your local dealer or visit www.manhattan-products.com.



Copyright © MANHATTAN

