



Stereo to Composite Audio Cable

**3.5 mm Stereo to Dual-Cinch RCA,
Black, 1 m (3 ft.)**

High-quality connections that provide superior performance.

MANHATTAN® Stereo Audio Cables are available in configurations and lengths to connect many popular audio components for crisp, clear, error-free transmissions. Carefully engineered and constructed of quality materials, including molded boots with strain relief, MANHATTAN Audio Cables help ensure maximum conductivity, minimal degradation and the highest performance from connected media devices.

Lifetime Warranty

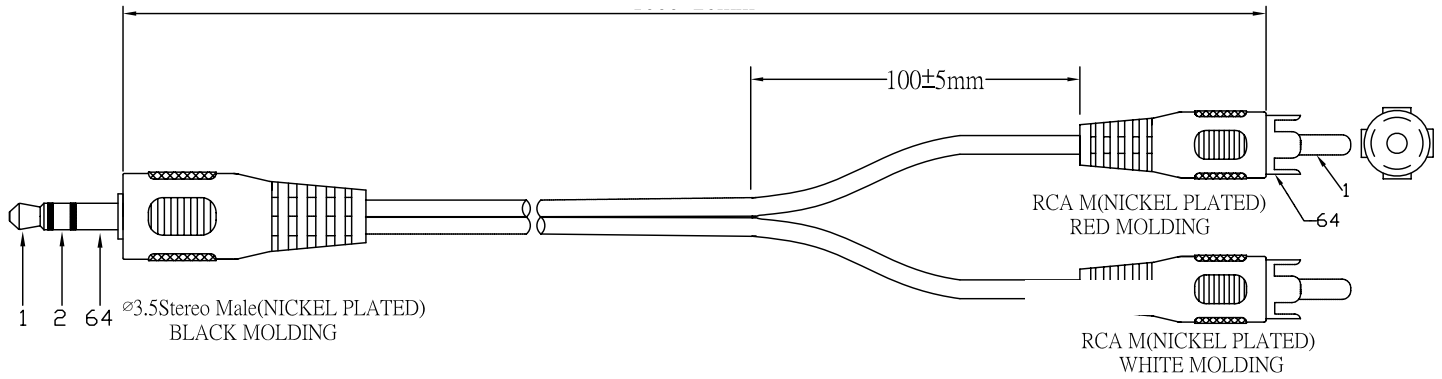
Strict manufacturing standards ensure the highest quality in all MANHATTAN products. All items carry a full Lifetime Warranty — the strongest quality commitment anyone can make.

Model
325660



Technical Drawing

REV.	DESCRIPTION	ENG.	APPROVAL



NOTE:

1. CABLE:NON-UL,(28#*1C+S)*2F,OD=3.0*3.0mm,BLACK COLOR,PVC JACKET.
2. LENGTH: 1000mm
3. CONNECTOR: ø3.5mm Stereo Male*1PCS(NICKEL PLATED),RCA MALE*2PCS(NICKEL PLATED,BROWN INSULATOR)
4. MOLD: RCAM/3.5M MOLDING.
5. CONTACTS:

ø3.5M (BLACK)	1	2	64
RCA(RED)		1	64
RCA(WHITE)	1		64
	CENTER	CENTER	SHIELD

6. OPEN/SHORT TEST: 100% TEST.
INSULATION: 5M.

THESE DRAWINGS AND SPECIFICATIONS ARE THE PROPERTY OF MANHATTAN AND SHALL NOT BE REPRODUCED, COPIED OR USED IN ANY MANNER WITHOUT THE PRIOR WRITTEN CONSENT OF MANHATTAN.

UNLESS OTHERWISE SPECIFIED-DIMENSIONS ARE IN MILLIMETERS ANGULAR TOLERANCE:±1°

TOLERANCE(INCH)	TOLERANCE(MM)
x	±0.02"
x.x	±0.01"
x.xx	±0.008"
x.xxx	±0.005"
x	±0.5mm
x.x	±0.20mm
x.xx	±0.15mm
x.xxx	±0.10mm

MANHATTAN

TITLE:	APPD			
	Check		XIE	
CUSTOMER:	Drawer	WJF	Date	2010.03.16
CUSTOMER P/N:	Unit	mm	Projection	⊕
ICT P/N	Scale	1:1	Size.	A4
DWG.NO:	Sheet	1 of	REV.	A

Features

- 3.5 mm stereo to dual-cinch RCA
- Heavy-gauge cable with PVC protective jacket
- Corrosion-resistant contacts for best data transmission
- Heavy-duty strain relief
- Lifetime Warranty

Specifications

CONNECTORS

- (1) 3.5 mm stereo male connections
- (2) RCA male connections
- Molded PVC boot
- Built-in strain relief

CABLE

- 28 AWG cable
- Thermal plastic casing

PACKAGE CONTENTS

- Stereo to Composite Audio Cable

For more information on MANHATTAN products, consult your local dealer or visit www.manhattan-products.com.


MANHATTAN
BRINGING COMPUTERS TO LIFE

Copyright © MANHATTAN

