



# DisplayPort Extension Cable

**DisplayPort Male / DisplayPort Female, Black**

## High-definition performance for personal computing.

MANHATTAN® DisplayPort Cables provide a single-cable solution that delivers both high-definition digital audio and video signals between desktop and notebook computers and an output device. With 10.8 Gbps bandwidth (1080 Mbps), DeepColor and 24-bit, 8-channel uncompressed audio capability, the 20-pin connector is small, compact and ideal for use with DisplayPort-equipped computers, flat-panel displays, slim-profile devices and many consumer electronics, including Blu-ray players and game consoles. Full foil and braided shielding, molded boots with strain relief, protective PVC jackets and gold-plated connections help MANHATTAN DisplayPort Cables provide maximum conductivity and clear, crisp signal transmissions with reduced EMI interference and distortion.

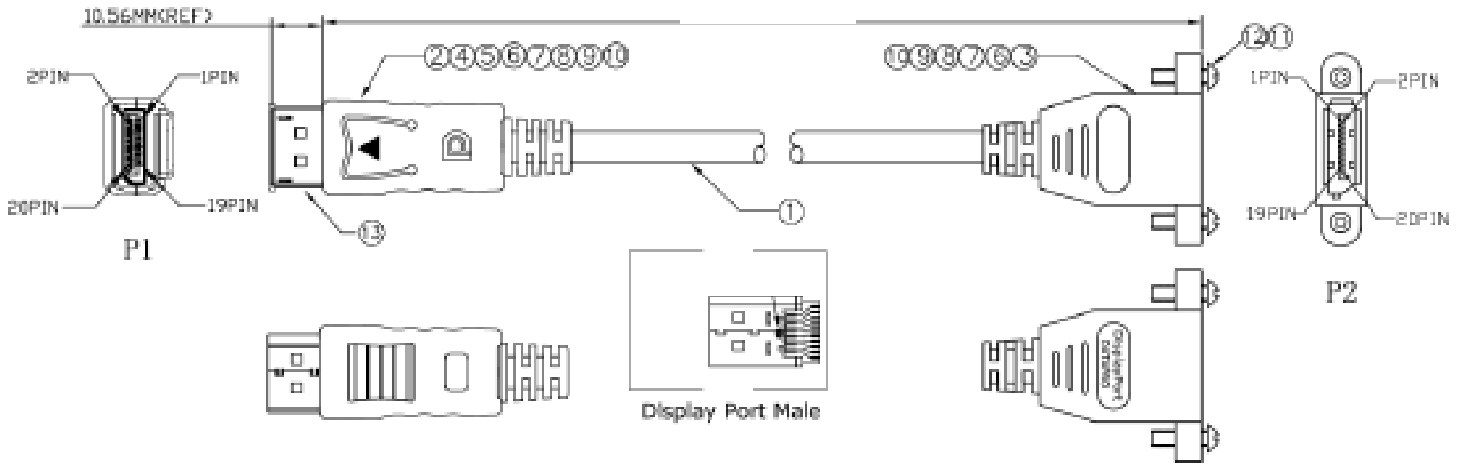
| Model         | Length          |
|---------------|-----------------|
| <b>322294</b> | 1.0 m (3.3 ft.) |
| <b>308540</b> | 2.0 m (6.6 ft.) |
| <b>322362</b> | 3.0 m (10 ft.)  |

## Lifetime Warranty

Strict manufacturing standards ensure the highest quality in all MANHATTAN products. All items carry a full Lifetime Warranty — the strongest quality commitment anyone can make.

**Model**  
308540  
322294  
322362



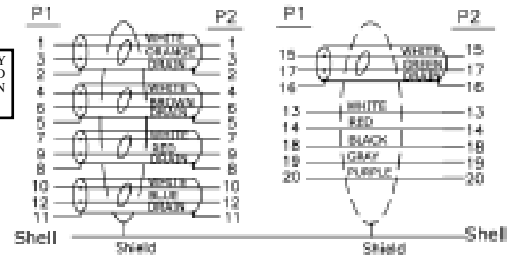


**ELECTRICAL TEST:**

1. 100% OPEN & SHORT & MIS WIRE TEST
2. CONTACT RESISTANCE: 1 OHM (MAX)
3. INSULATION RESISTANCE: 10M OHM (MIN)
4. HI-POT TEST: DC 300V/10ms

THESE DRAWINGS AND SPECIFICATIONS ARE THE PROPERTY OF MANHATTAN AND SHALL NOT BE REPRODUCED, COPIED OR USED IN ANY MANNER WITHOUT THE PRIOR WRITTEN CONSENT OF MANHATTAN.

**PIN Assignment**



| NO | LINK P/N    | DESCRIPTION  | QTY | UNIT |
|----|-------------|--|-----|------|
| 13 | A6-000099   | DisplayPort TRANSPARENT DUST COVER   | 1   | PCS  |
| 12 | A7-R040030  | NUT:H5.0*4.5 H3  | 2   | PCS  |
| 11 | A7-R040029  | UNC: #4-40 10MM (P3x10MM)  | 2   | PCS  |
| 10 | A5-R047011  | Inside Holding:PE  | 6   | Q    |
| 9  | A5-R047001  | 4SP PVC COLOR:BLACK  | 20  | Q    |
| 8  | A10-R075132 | H.S.T:Ø 1.5*5mm.   | 10  | PCS  |
| 7  | A10-R075147 | H.S.T:Ø 1.0*10mm.  | 10  | PCS  |
| 6  | A10-R075148 | H.S.T:Ø 2.5*15mm.  | 10  | PCS  |
| 5  | A2-R021275  | Display Port M ABS Up SHELL,COLOR:BLACK  | 1   | PCS  |
| 4  | A2-R021275  | Display Port M ABS Down SHELL,COLOR:BLACK  | 1   | PCS  |
| 3  | A2-H004162  | Display Port Female PIN GOLD ,BLACK INSULATION,Shell Nickel Plating                | 1   | PCS  |
| 2  | A2-R021274  | Display Port M INSULATION:BLACK,SHELL Nickel ,PIN GOLD                             | 1   | PCS  |
| 1  | A4-R001574  | UL20276 (70.127TA*1PR+EM)*5+70.127TA*5C+ABR-KAL>85% 8D(1676/1.12AL) 8D:7.3MM BLACK | 2   | M    |

| REV.  | DESCRIPTION                          | DATE         |
|---|--------------------------------------|--------------|
| 1   | DisplayPort M to F 30AWG NICKEL L=2M | ICA          |
| <b>MANHATTAN</b>                            |                                      |              |
| TITLE: DisplayPort M to F 30AWG NICKEL L=2M |                                      |              |
| CUSTOMER :                                  |                                      | ICA          |
| CUSTOMER P/N :                              |                                      |              |
| SCALE                                       | MORE                                 | DRAWING NO.: |
| UNIT  | MM                                   |              |
| DATE  | 22.04.09                             | REV. A       |
|   |                                      | 1/2          |

## Features

- DisplayPort 20-pin female to DisplayPort 20-pin male latching connections
- Delivers high-bandwidth, digital audio/visual signals from PC to display and other DisplayPort-enabled devices — up to 1080p resolution
- Supports HDMI and DVI signal pass-through
- Fully shielded to reduce EMI and other interference sources
- Female connection molded for easy use with bracket mounts
- Molded PVC boot
- Lifetime Warranty

## Specifications

**STANDARDS/CERTIFICATIONS**

- UL 20276
- DisplayPort v1.1

**CONNECTORS**

- (1) DisplayPort 20-pin male with latches
- (1) DisplayPort 20-pin female with screws
- Nickel plated
- Molded PVC boot

**CABLE**

- 28 AWG connectors
- Shielding: aluminum and Mylar braid
- Withstanding voltage: 300 V DC
- Insulation resistance: 5 MOhms
- Contact resistance: 10 Ohms
- PVC jacket

**PACKAGE CONTENTS**

- DisplayPort Extension Cable

For more information on MANHATTAN products, consult your local dealer or visit [www.manhattan-products.com](http://www.manhattan-products.com).



Copyright © MANHATTAN

