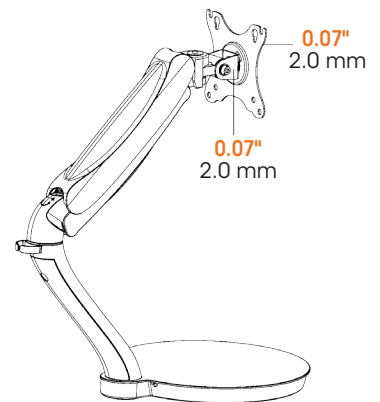
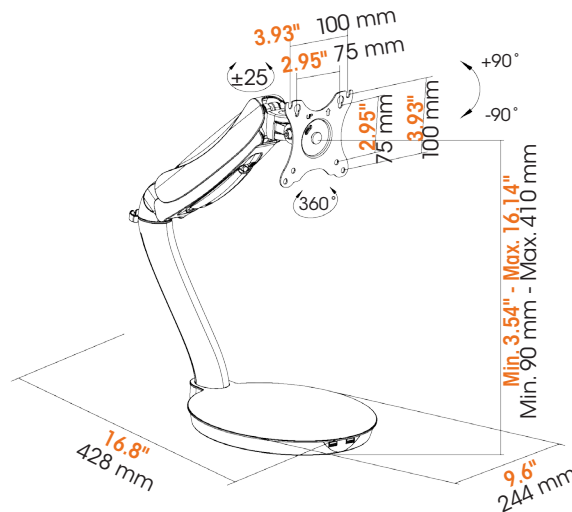
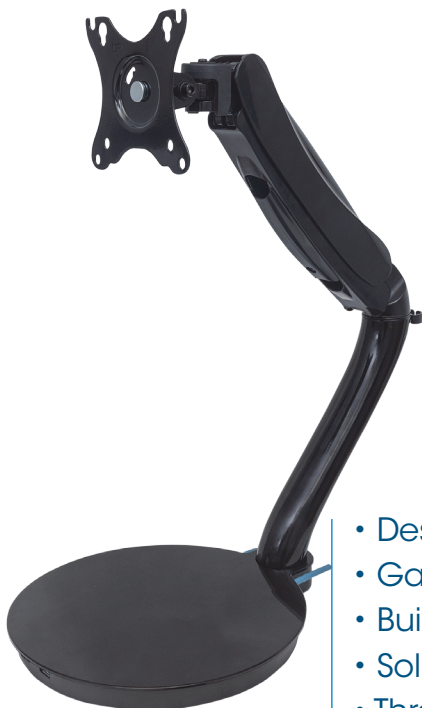


Visualizing Quality Control with Manhattan Mounts

Universal Desktop Counterbalance Monitor Stand

Model #461429



- Desktop-stand design avoids having to clamp mount to desk
- Gas spring provides light-touch adjustment of viewing height
- Built-in tension adjustment
- Solid base with built-in pass-through USB 3.0 ports
- Three-Year Warranty



For more information, visit
manhattanproducts.com