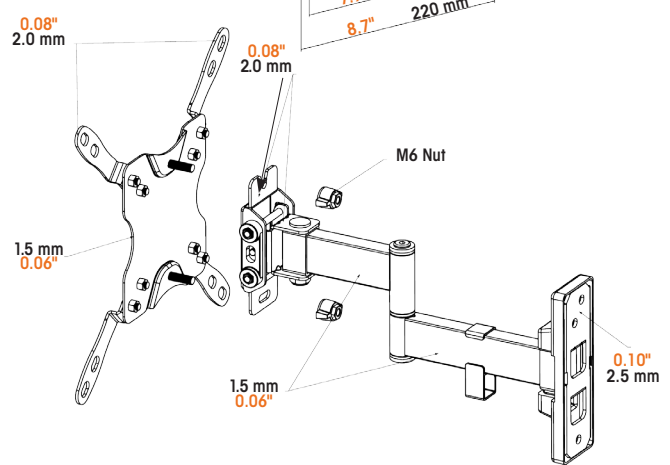
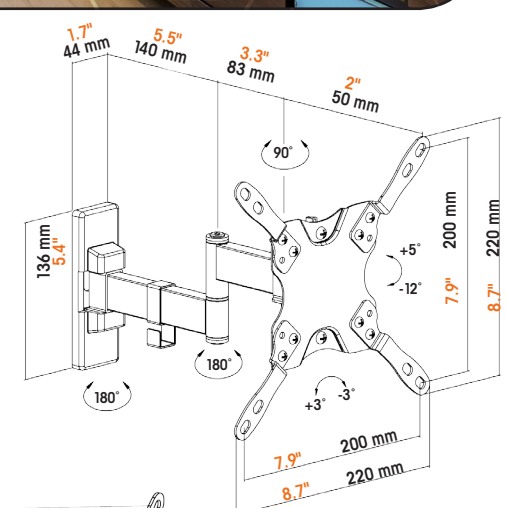


Visualizing Quality Control with Manhattan Mounts

Universal Flat-Panel TV Articulating Wall Mount

Model #467405



- Securely holds one flat-panel television or monitor
- Solid steel construction
- Built-in cable-management system
- Easy installation ideal for home, office and commercial applications
- Meets VESA standards: 75 x 75, 100 x 100, 200 x 100 or 200 x 200



For more information, visit manhattanproducts.com