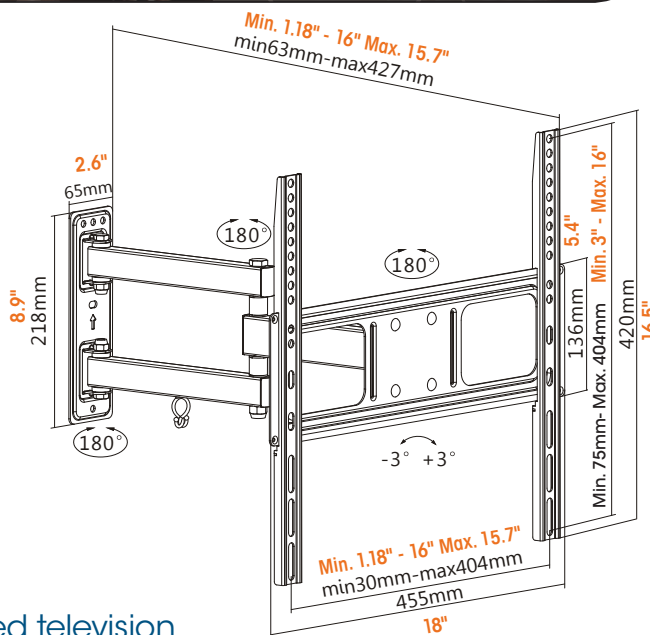


# Visualizing Quality Control with Manhattan Mounts

## Universal LCD Full-Motion Wall Mount

Model #461320



- Securely holds one flat-panel or curved television
- Optimize views with +10° to -15° tilt, ±90° swivel, ±3° level adjustment
- Meet VESA standards: 200x200, 300x300, 400x200, 400x400
- Supports TVs from 32" to 55" up to 77 lbs. (35 kg)



For more information, visit  
[manhattanproducts.com](http://manhattanproducts.com)