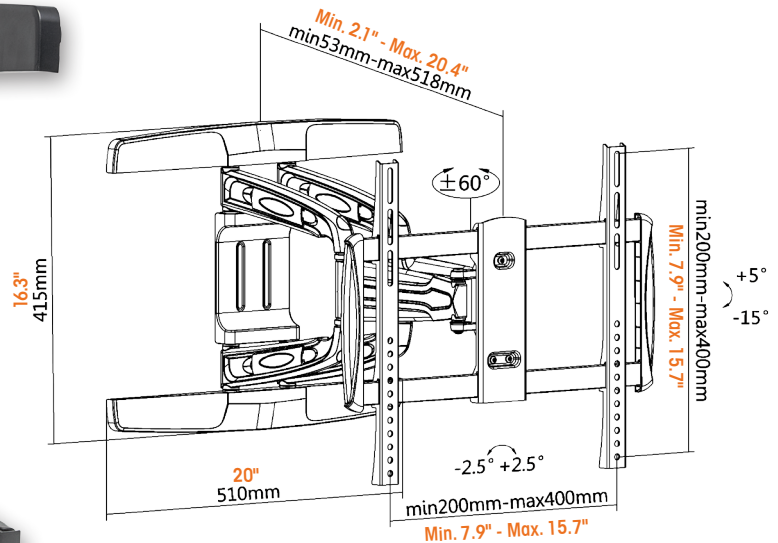


Visualizing Quality Control with Manhattan Mounts

Universal LCD Full-Motion Wall Mount

Model #461306



- Helps achieve optimal viewing angles from almost anywhere in the room
- High-quality, light-weight aluminum construction
- Meets VESA standards: 200x200, 300x300, 400x200, 400x400
- Easy installation ideal for home, office and commercial applications



For more information, visit
manhattanproducts.com