

# Visualizing Quality Control with Manhattan Mounts

## Universal Flat-Panel TV Articulating Wall Mount

Model #423748



REACH OUT FOR A BETTER VIEW

**20 kg**

Holds Up To 20 kg (44 lbs.)

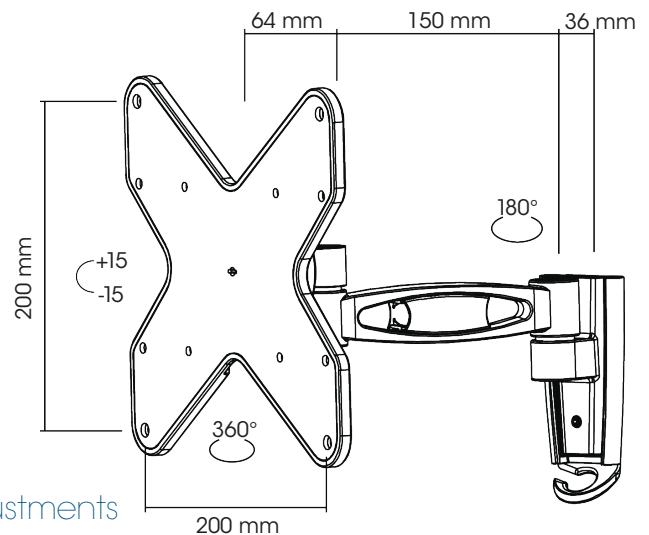
**23"- 42"**

Holds One 23"- 42" TV



±15° tilt and  
180° swivel

Adjustable Tilt and Swivel



- Optimize views with  $\pm 15^\circ$  tilt and  $180^\circ$  swivel adjustments
- Durable aluminum construction
- VESA Compliant: 100 x 100, 200 x 100 or 200 x 200
- Supports most TVs from 23" to 42" up to 44 lbs. (20 kg), LED, 3D LED, LCD TVs



For more information, visit  
[manhattanproducts.com](http://manhattanproducts.com)