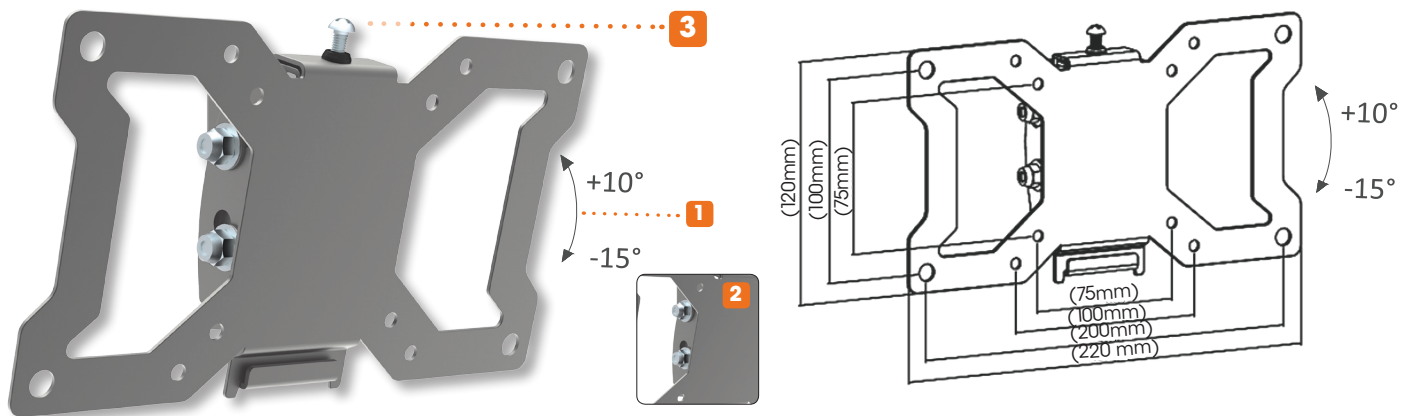


# Visualizing Quality Control with Manhattan Mounts

## Universal Flat-Panel TV Tilting Wall Mount

Model #423717



1. Optimize views with  $-15^{\circ}$  to  $10^{\circ}$  tilt adjustment
2. Heavy-duty steel construction, with preset holes for easy installation
3. VESA compliant—75 x 75, 100 x 100 or 200 x 100, Screw-in VESA Plate