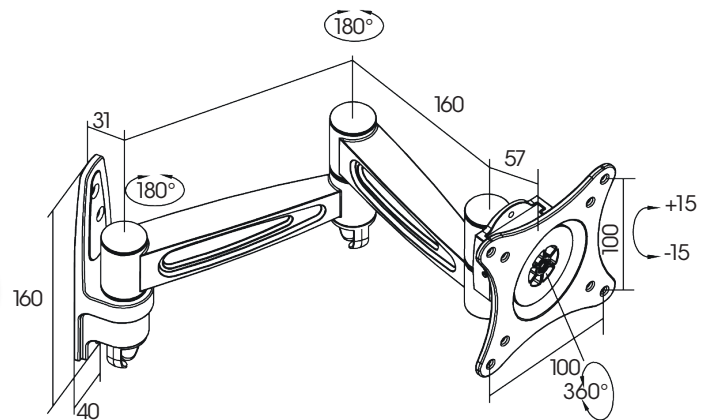


Visualizing Quality Control with Manhattan Mounts

Universal Flat-Panel TV Articulating Wall Mount

Model #423670



- Optimize views with $\pm 15^\circ$ tilt and 180° swivel adjustments
- Durable aluminum construction
- VESA Compliant: 75 x 75 or 100 x 100
- Supports most TVs from 13" to 27" up to 33 lbs. (15 kg), LED, 3D LED, LCD TVs



For more information, visit
manhattanproducts.com