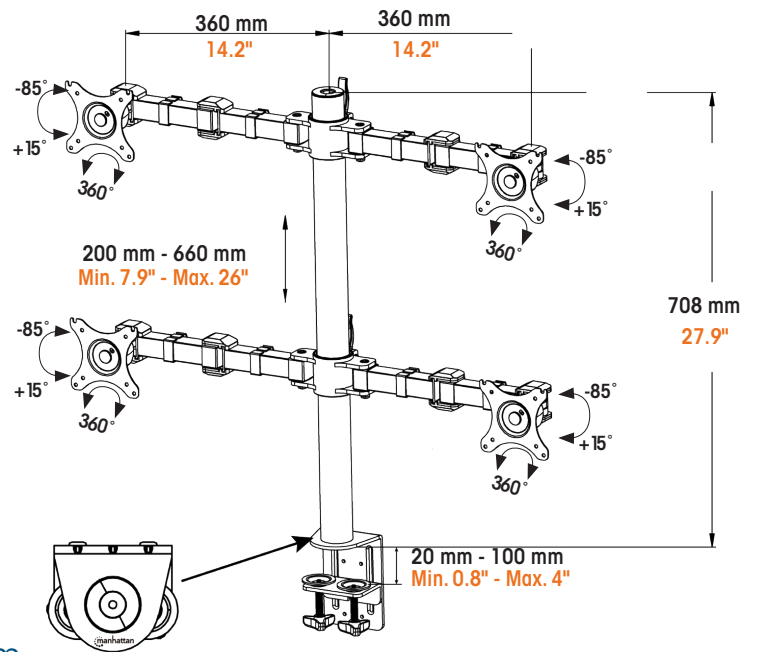
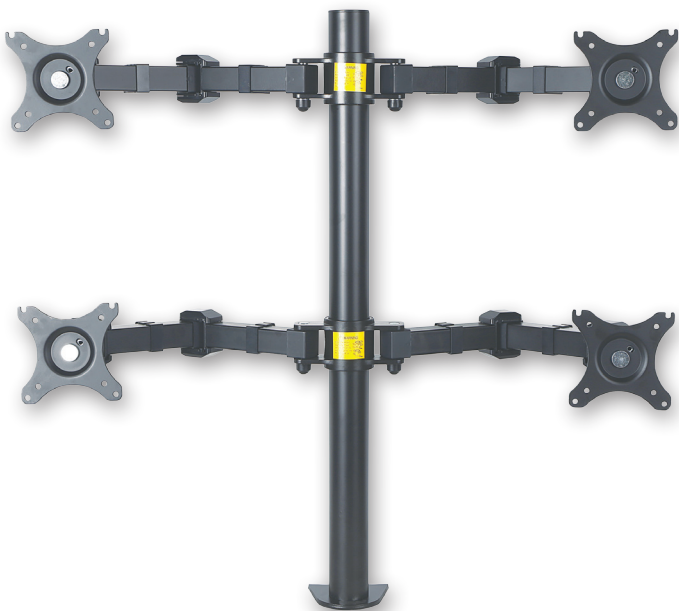
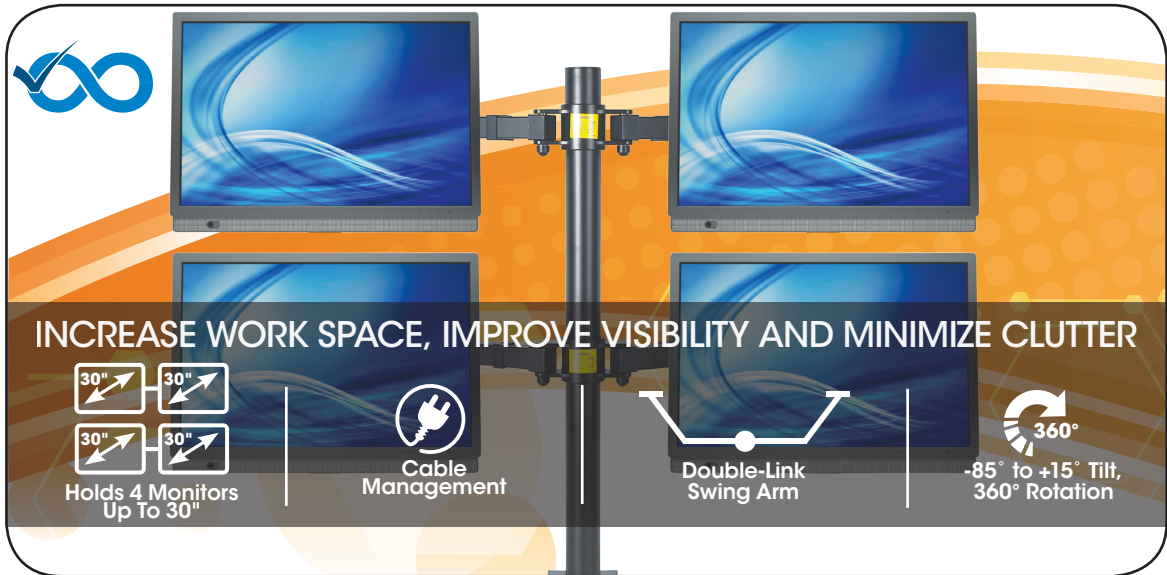


Visualizing Quality Control with Manhattan Mounts

LCD Monitor Mount with Double-Link Swing Arms

Model #461122



- Meets VESA standard: 75 x 75 mm, 100 x 100 mm
- Die-cast metal pole with heavy-duty clamp mount
- Easy adjustment of monitor orientation side-to-side and up-or-down
- Ideal for office, studio, IT network and security applications



For more information, visit manhattanproducts.com