



Hi-Speed USB 2.0 Power Cable

Dual Type-A USB Male to Single Type-B Male USB

Model
305952

Quality connections for most any configuration.

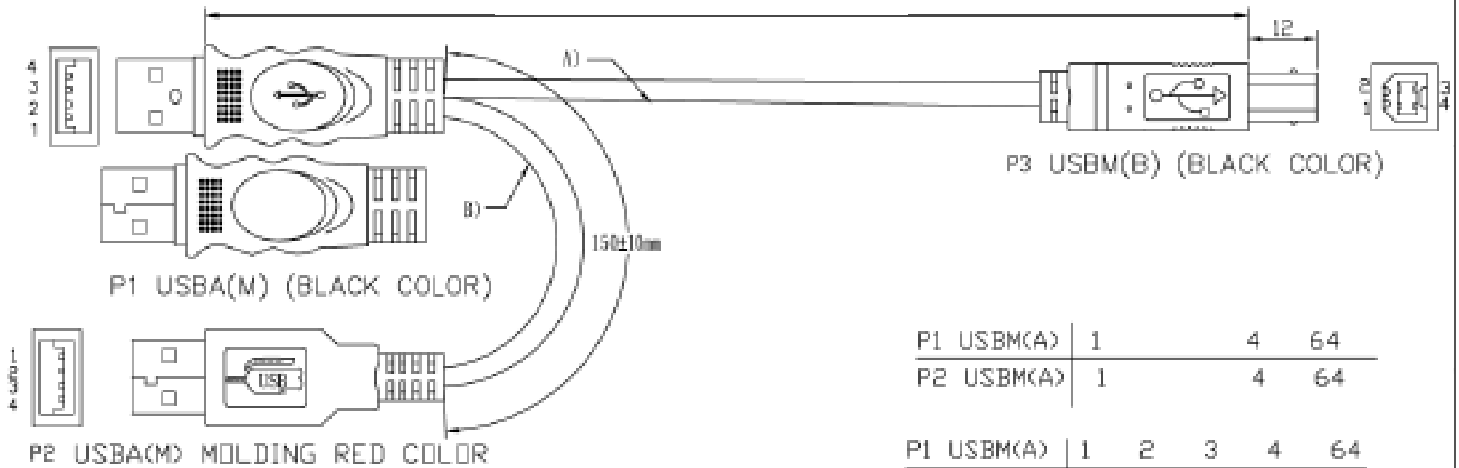
Power needs for USB devices used to mean having to carry around cumbersome power adapters. MANHATTAN® offers a power solution for many USB devices. Dual Power USB 2.0 Cables offer two type-A USB connectors to draw additional power from USB ports, perfect for powering 3.5-inch and smaller drive enclosures. MANHATTAN continues to keep you connected with a single-cable data and power solution.

Lifetime Warranty

Strict manufacturing standards ensure the highest quality in all MANHATTAN products. All items carry a full Lifetime Warranty — the strongest quality commitment anyone can make.



REV	DESCRIPTION	ENG	APPROVAL



NOTE:

- CABLE: A)-UL2725, USB2.0 CABLE, AL#8, 28AWG#1P+28AWG#2C, BLACK COLOR, OD=3.5mm, PVC JACKET LENGTH=1000mm
B)-UL2725, 28#*2C, OD=3.5mm, BLACK PVC JACKET, length=150mm(SR-SR)
- CONNECTOR: USB(A) #2PCS, USB(B) #1 PCS
- MOLD: USB(A)/USB(B) MOLDING
- CONTACTS:
- OPEN/SHORT TEST: 100% TEST.
INSULATION: 2M.

P1 USB(A)	1	4	64		
P2 USB(A)	1	4	64		
P1 USB(A)	1	2	3	4	64
P3 USB(B)	1	2	3	4	64
	RED	WHITE #28	GREEN #28	BLACK	SHIELD
		PAIR			

THESE DRAWINGS AND SPECIFICATIONS ARE THE PROPERTY OF MANHATTAN AND SHALL NOT BE REPRODUCED, COPIED OR USED IN ANY MANNER WITHOUT THE PRIOR WRITTEN CONSENT OF MANHATTAN.

UNLESS OTHERWISE SPECIFIED DIMENSIONS ARE IN MILLIMETERS (ANGULAR TOLERANCES: ±1°)

TOLERANCE (mm)	TOLERANCE (mm)
0 - 30.00	0.10
30.00 - 120.00	0.15
120.00 - 300.00	0.20
300.00 - 1000.00	0.30

MANHATTAN		DATE:		REV:	
TITLE:		A/RD:		DATE:	
CUSTOMER:		CHECK:		XIE	
CUSTOMER P/N:		DRAWN:		LTC	
KIT P/N:		Unit	mm	Projection	1st
DRAWING:		Scale	1:1	Size	A4
		Sheet	1 of 1	REV.	C

Features

- Dual type-A to single type-B USB male connections
- Supports Hi-Speed USB 2.0 data transfer speeds up to 480 Mbps
- Easily connects to two USB ports to supply additional power to USB devices
- Fully shielded to help reduce EMI and other interference sources
- Molded PVC boot
- Lifetime Warranty

Specifications

STANDARDS AND CERTIFICATIONS

- USB 2.0
- UL 2725

CONTACTS

- (2) USB type-A male
- (1) type-B USB male
- Nickel plated
- Molded PVC boot
- 28 AWG connectors

DIMENSIONS

- Length: 1 m (3.3 ft.)

ELECTRICAL

- Withstanding voltage: 300 V DC 10 ms
- Insulation resistance: 5 MOhms
- Contact resistance: 10 Ohms

PACKAGE CONTENTS

- Hi-Speed USB 2.0 Power Cable

For more information on MANHATTAN products, consult your local dealer or visit www.manhattan-products.com.



Copyright © MANHATTAN

