

# Hard Disk Drive Stand

**Fits 2.5" and 3.5" Drives**

**Protect hard disk drives when outside a case or enclosure.**

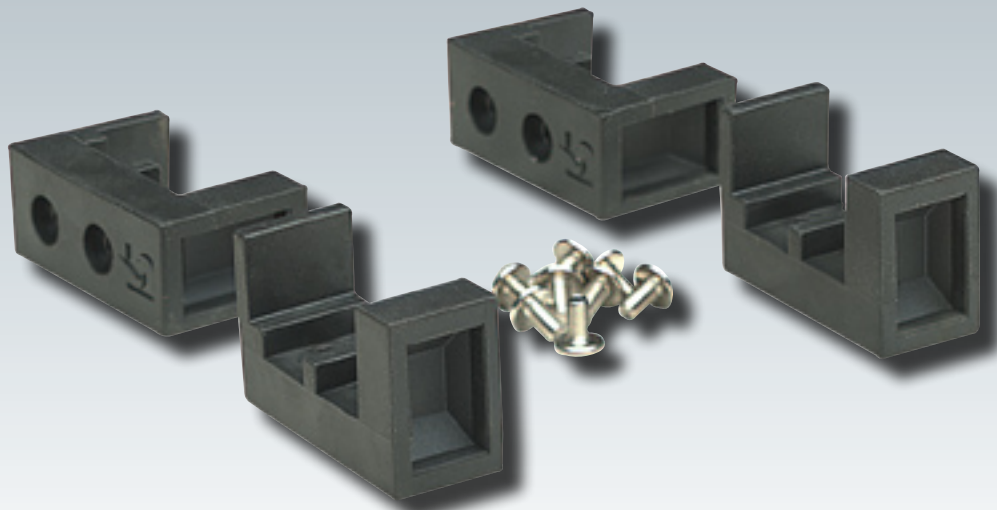
The MANHATTAN® Hard Disk Drive Stand helps protect exposed, vulnerable circuitry when operating 2.5" and 3.5" drives outside enclosures and PC cases. Its durable but flexible plastic construction absorbs shock and vibration to secure sensitive hard disk drives during testing, minor servicing and other out-of-case applications. The integrated, open design allows full ventilation and technicians can easily stack MANHATTAN Hard Disk Drive Stands to manage and access more drives within limited desktop workspace. Easy to install with included hardware, it provides a safe, ideal alternative when enclosures or permanent installation in desktop bays and notebook computer shells isn't practical.

## **Lifetime Warranty**

Strict manufacturing standards ensure the highest quality in all MANHATTAN products. All items carry a full Lifetime Warranty — the strongest quality commitment anyone can make.

**Model**  
130134





**Model**  
130134

## Features

- Securely mounts one 3.5-in. or up to two 2.5-in. hard disk drives for convenient use outside of a PC case or enclosure
- Ideal for protecting drives during testing, repair and other applications
- Compatible with SATA, IDE and other drive types
- Sturdy, flexible construction absorbs shock and vibration – includes installation hardware
- Integrated design stacks to accommodate more drives without compromising workspace
- Lifetime Warranty

## Specifications

### GENERAL

- Plastic
- (4) hard disk drive mounting brackets
- Supports (1) 3.5" HDD or (2) 2.5" HDD up to 9.5 mm high
- (12) screws
- Bracket dimensions: 113.5 x 21 x 16 mm (4.46 x 0.8 x 0.6 in.)
- Weight: 82.2 g (2.9 oz.)

### PACKAGE CONTENTS

- Hard Disk Drive Stand
- Mounting brackets, screws and quick install guide

For more information on MANHATTAN products, consult your local dealer or visit [www.manhattan-products.com](http://www.manhattan-products.com).



Copyright © MANHATTAN

All names of products or services mentioned herein are trademarks or registered trademarks of their respective owners. Distribution and reproduction of this document, and use and disclosure of the contents herein, are prohibited unless specifically authorized.

MH-130134-DS-0809-01