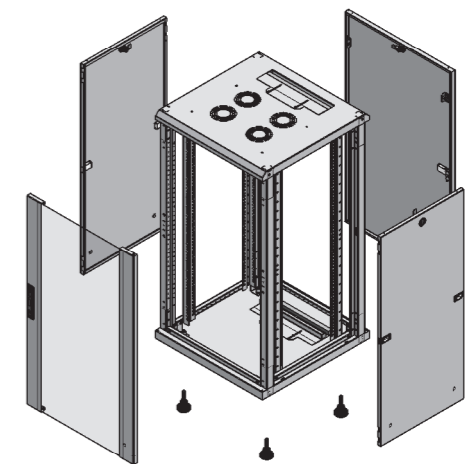


SECTION A-A



UNLESS OTHERWISE SPECIFIED:
DIMENSIONS ARE IN MILLIMETERS

Surface finish: μ

Linear : DIN 7168-m
Angular : DIN 7168-m
Hole : DIN 7168-m

SCALE:1:20

MATERIAL: mm

Surface Area : mm^2
WEIGHT: gr.



intellinetnetwork.com