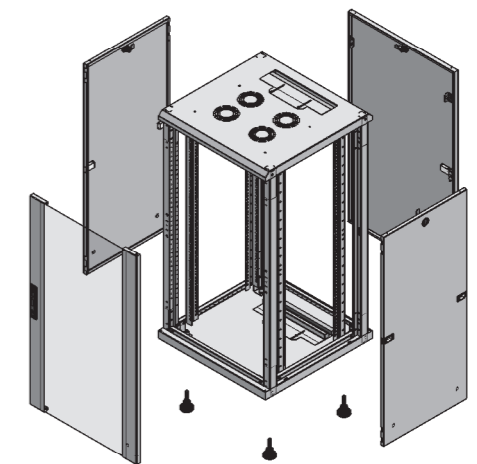


SECTION A-A



UNLESS OTHERWISE SPECIFIED:  
DIMENSIONS ARE IN MILLIMETERS

Surface finish:  $\mu$

Linear : DIN 7168-m  
Angular : DIN 7168-m  
Hole : DIN 7168-m

SCALE:1:20

MATERIAL: mm

Surface Area : mm<sup>2</sup>  
WEIGHT: gr.



[intellinetnetwork.com](http://intellinetnetwork.com)