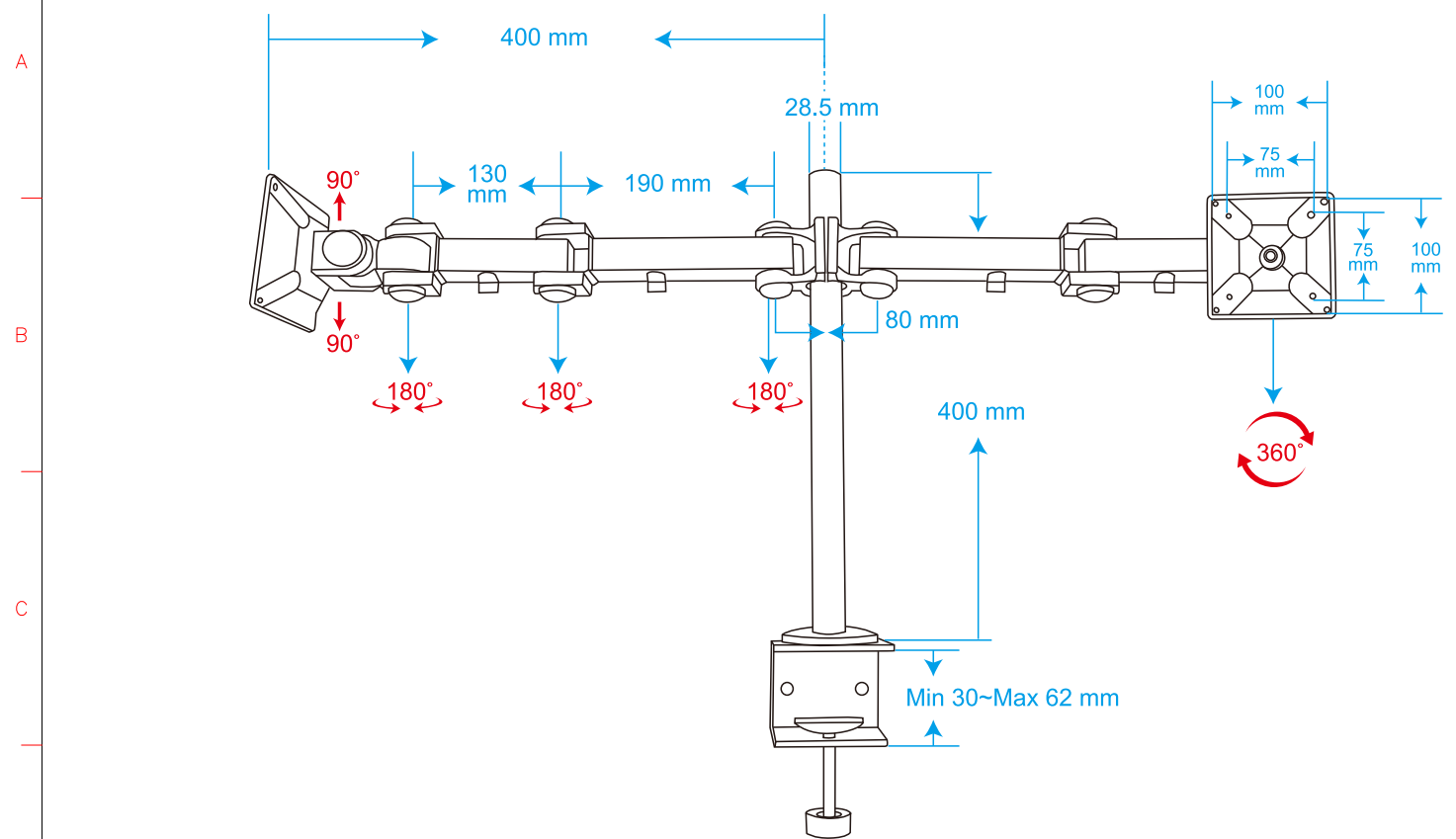


REV.	DESCRIPTION	ENG.	APPROVAL



THESE DRAWINGS AND SPECIFICATIONS ARE THE PROPERTY OF INTRACOM Asia Co.,Ltd. AND SHALL NOT BE REPRODUCED COPIED OR USED IN ANY MANNER WITHOUT THE PRIOR WRITTEN CONSENT OF INTRACOM Asia Co.,Ltd.

UNLESS OTHERWISE SPECIFIED: DIMENSIONS ARE IN MILLIMETERS ANGULAR TOLERANCE: ±1°

TOLERANCE( INCH )	TOLERANCE( MM )
x ±0.02"	x ±0.5mm
x.x ±0.01"	x.x ±0.20mm
x.xx ±0.008"	x.xx ±0.15mm
x.xxx ±0.005"	x.xxx ±0.10mm

**i INTRACOM** 安達康股份有限公司  
INTRACOM Asia Co.,LTD.

TITLE: VID 100246	APPD	
	Check	
CUSTOMER:	Drawer	Date
CUSTOMER P/N:	Unit	mm
ICT P/N: 420808	Projection	≡ ⊕
DWG.NO:	Scale	1:1
	Sheet	1 of
	REV.	A

A  
B  
C  
D  
E

1 2 3 4 5 6