



Video Splitter Cable

DVI-D Dual Link Male / HDMI Female / HDMI Female

Easily distributes a single signal between two displays.

The MANHATTAN Video Splitter Cable establishes a fast and convenient connection to simultaneously transmit a signal between a desktop or notebook computer and two displays. Unlike common Y-cable configurations found on other video splitter cables, the MANHATTAN Video Splitter Cable features an integrated 2-in-1 output design in a durable overmold that eliminates unnecessary tangles and clutter to help keep installations and workspaces neat and orderly. A single cable solution requiring no external power supplies or complicated configuration, it's ideal for presentations, retail displays, trade events, training and other applications. Gold-plated contacts and full shielding help MANHATTAN Video Splitter Cables provide clear and stable video transmissions. Convenient thumbscrews, flexible jacket and molded PVC boots with strain relief help ensure connections remain uninterrupted and steady.

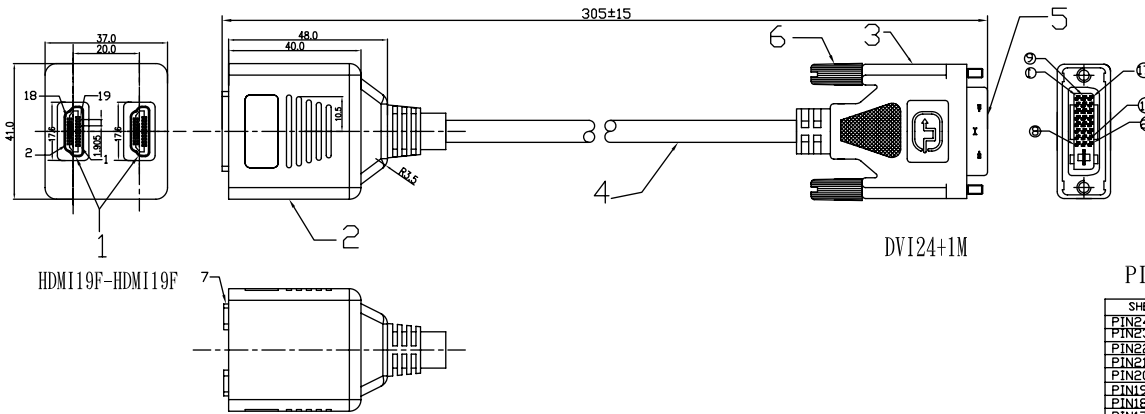
Lifetime Warranty

Strict manufacturing standards ensure the highest quality in all MANHATTAN products. All items carry a full Lifetime Warranty — the strongest quality commitment anyone can make.

Model
308182



REV.	DESCRIPTION	ENG.	APPROVAL
	PIN ASSEMBLY		



DVI24+1M

PIN ASSIGNMENT

SHELL	SHELL	SHELL
PIN24	12	12
PIN23	10	10
PIN22	11	11
PIN21		
PIN20		
PIN19	8	8
PIN18	7	7
PIN17	9	9
PIN16	19	19
PIN15	17	17
PIN14	18	18
PIN13		
PIN12		
PIN11	5	5
PIN10	4	4
PIN9	6	6
PIN7	16	16
PIN6	15	15
PIN5		
PIN4		
PIN3	2	2
PIN2	1	1
PIN1	3	3
DVI 24+1M	HDMI 19F	HDMI 19F

ELECTRICAL TEST:

- CURRENT RATING: DC 0.5A
- WITHSTANDING VOLTAGE: DC 300VDC
- INSULATION RESISTANCE: 50Mohm
- CONDUCTIVE RESISTANCE: 2ohm

THESE DRAWINGS AND SPECIFICATIONS ARE THE PROPERTY OF MANHATTAN AND SHALL NOT BE REPRODUCED COPIED OR USED IN ANY MANNER WITHOUT THE PRIOR WRITTEN CONSENT OF MANHATTAN.

MANHATTAN

TITLE:	APPD		
	Check		
CUSTOMER:	Drawer	HUANGYU	Date 08/09/05
CUSTOMER P/N:		Unit	mm Projection
ICT P/N:		Scale	Size. A4
DWG.NO:		Sheet	1 of 1 REV. A

NO.	DESCRIPTION	UNIT	QTY
7	THUMB NUT #4-40UNC PLATED:GOLD	PCS	2
6	THUMB SCREW #4-40UNC PLATED:GOLD ABS COLOR:BLACK	PCS	2
5	DVI 24+1 MALE SOLDER COLOR:BLACK SHELL PLATED:GOLD	PCS	1
4	HDMI CABLE UL20276 30AWG/4P+30AWG/1P+30AWG/5C+AB OD:6.0mm	PCS	1
3	PVC MOLDED BLACK IN COLOR	PCS	1
2	PVC 55P MOLDED BLACK IN COLOR		
1	HDMI 19P FEMALE PLATED: GOLD	PCS	2

UNLESS OTHERWISE SPECIFIED: DIMENSIONS ARE IN MILLIMETERS ANGULAR TOLERANCE: ±1°	
TOLERANCE (INCH)	TOLERANCE (MM)
x ±0.02"	x ±0.5mm
x.x ±0.01"	x.x ±0.20mm
x.xx ±0.008"	x.xx ±0.15mm
x.xxx ±0.005"	x.xxx ±0.10mm

Features

- Connects a DVI-D dual-link male source with two HDMI female displays
- Delivers a single, high-quality signal to two displays – ideal for presentations, retail displays and training applications
- Integrated 2-in-1 output design eliminates Y-cable tangles and clutter
- Fully shielded to reduce EMI and other interference sources
- Gold-plated connectors with thumbscrews provide maximum connectivity
- Molded PVC boot and strain relief
- Lifetime Warranty

Specifications

STANDARDS AND CERTIFICATIONS:

- UL
- HDMI 1.2

CONTACTS:

- DVI-D 24+1-pin male
- (2) HDMI 19-pin female
- Gold-plated
- Molded PVC boot
- Shielded

CABLE:

- 30 AWG connectors
- Mylar and aluminum shielding
- Withstanding voltage: 300 V DC
- Insulation resistance: 50 MOhms
- Conductive resistance: 2 Ohms
- Thermal plastic casing
- Length: 0.3 m (1 ft.)
- Weight: 133.2 g (4.7 oz.)

PACKAGE CONTENTS:

- Video Splitter Cable, DVI-D Dual Link Male / HDMI Female / HDMI Female

For more information on MANHATTAN products, consult your local dealer or visit www.manhattan-products.com.

MANHATTAN
BRINGING COMPUTERS TO LIFE

Copyright © MANHATTAN

