

THE GOSPEL OF

JOHN

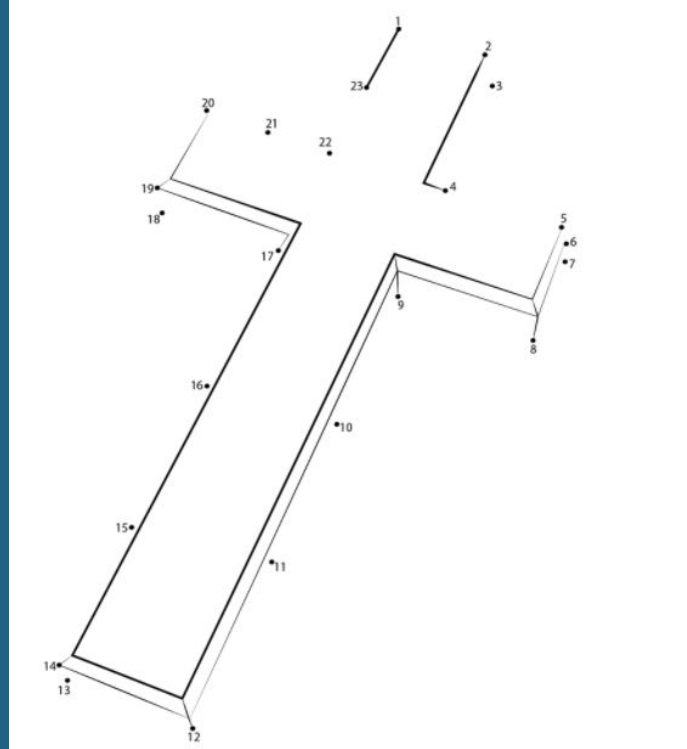
BELIEVE & LIVE



Connect The Dots

John 2:1-25

Sanjay Krishnaswamy



Reflect Back

What have you seen Jesus do in the past Year/6
Months/Month that has caused your belief in
Him to deepen?

- Minimize

- Minimize : Represent or estimate at Less than the true value or importance.

- Minimize : Represent or estimate at Less than the true value or importance.
- Dismiss

- Minimize : Represent or estimate at Less than the true value or importance.
- Dismiss : Treat as unworthy of serious consideration

Takeaway From Today

Personal Purification

Public Purification



```
graph TD; A[Personal Purification] --> C[CONNECT THE DOTS]; B[Public Purification] --> C;
```

CONNECT THE DOTS

Personal Purification

- Mary's Instinct

Personal Purification

- Mary's Instinct – What was she really asking?

Personal Purification

- Mary's Instinct - What was she really asking?
- Jesus' Response

Personal Purification

- Mary's Instinct - What was she really asking?
- Jesus' Response – Not Rejection

Personal Purification

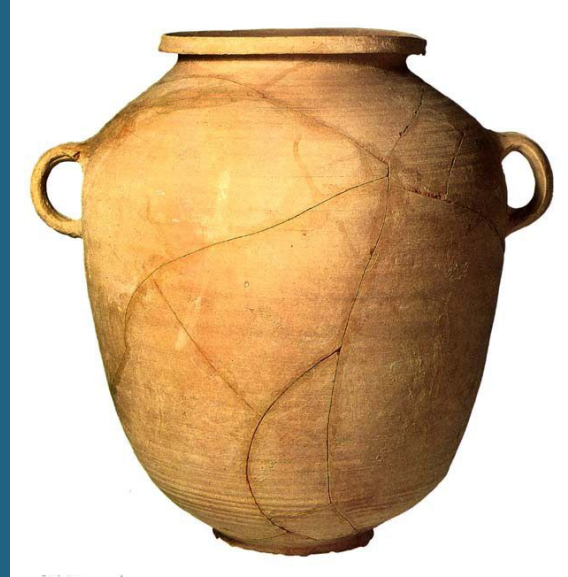
- Mary's Instinct - What was she really asking?
- Jesus' Response – Not Rejection
- Mary's Reaction

Personal Purification

- Mary's Instinct - What was she really asking?
- Jesus' Response – Not Rejection
- Mary's Reaction – Not Dismissal

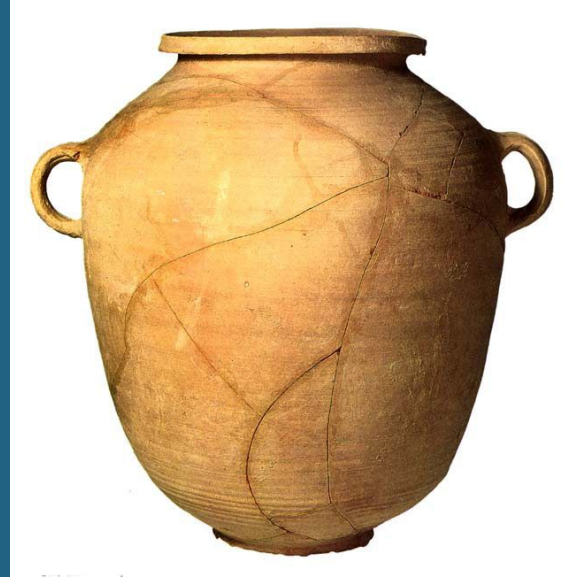
Personal Purification

- Purification Pots



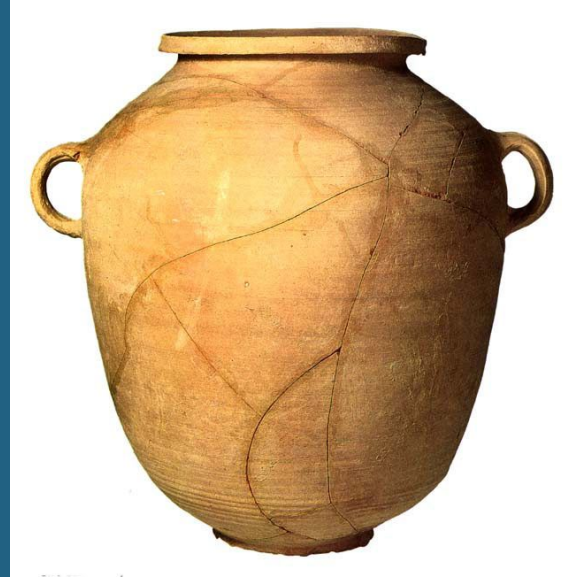
Personal Purification

- Purification Pots
 - Practical



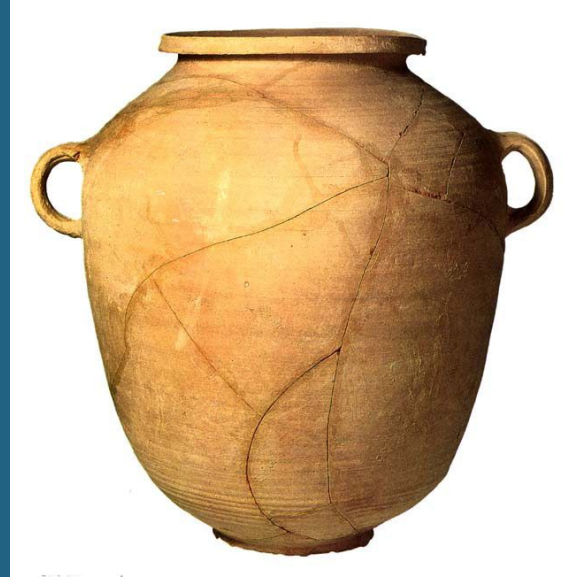
Personal Purification

- Purification Pots
 - Practical
 - Social



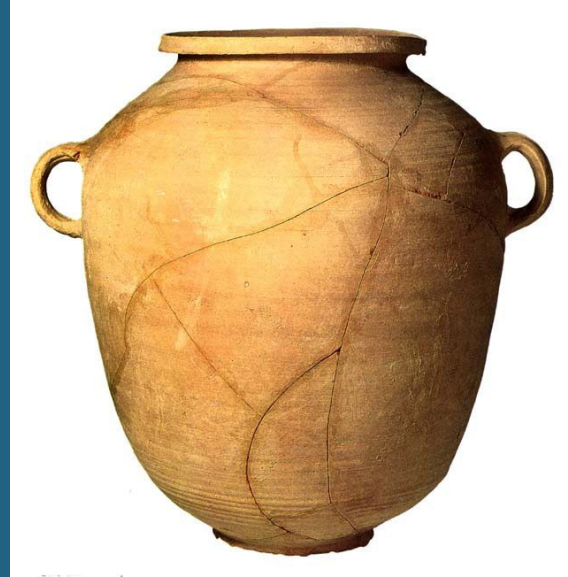
Personal Purification

- Purification Pots
 - Practical
 - Social
 - Ritual



Personal Purification

- Purification Pots
 - Practical
 - Social
 - Ritual
 - “Spiritual”



Personal Purification

- Water into Wine
 - Quality and Quantity

Personal Purification

- Water into Wine
 - Quality and Quantity
 - Reason for the sign

Personal Purification

- Water into Wine
 - Quality and Quantity
 - Reason for the sign
 - Deepen Belief in His Power

Personal Purification

- Water into Wine
 - Quality and Quantity
 - Reason for the sign
 - Deepen Belief in His Power
 - Deepen Belief in His Provision

Personal Purification

- Water into Wine
 - Quality and Quantity
 - Reason for the sign
 - Deepen Belief in His Power
 - Deepen Belief in His Provision
 - Deepen Belief in His Purpose

Personal Purification

Purification by Water

-Power

-Provision

-Purpose

Purification by Blood

Personal Purification

Connected Dots

- 1 Peter 1:18-19
 - ¹⁸ knowing that you were not redeemed with perishable things like silver or gold from your futile way of life inherited from your forefathers, ¹⁹ but with precious blood, as of a lamb unblemished and spotless, *the blood* of Christ.
- 1 John 1:7
 - ⁷ but if we walk in the Light as He Himself is in the Light, we have fellowship with one another, and the blood of Jesus His Son cleanses us from all sin

Public Purification

Public Purification

- Oxen, Sheep, & Doves Sellers
- Money Changers

Public Purification

- Scourge of Cords

Public Purification

- Scourge of Cords
 - Drove out people along with Sheep and Oxen

Public Purification

- Scourge of Cords
 - Drove out people along with Sheep and Oxen
- Dismantling of System

Public Purification

- Scourge of Cords
 - Drove out people along with Sheep and Oxen
- Dismantling of System
 - Destroyed their place of business

Public Purification

- Scourge of Cords
 - Drove out people along with Sheep and Oxen
- Dismantling of System
 - Destroyed their place of business
- Exhortation

Public Purification

Sovereign Action based on Holy Value System

Public Purification

Connected Dots

- Psalm 69:9
 - For Zeal for Your house has consumed me,
And the reproaches of those who reproach You
have fallen on me.

Public Purification

Prophecy about Crucifixion and Resurrection

Public Purification

Connected Dots

- **John 2:22**

- So when He was raised from the dead, His disciples remembered that He said this; and they believed the Scripture and the word which Jesus had spoken.

Connect The Dots

Connect The Dots

Give Jesus Serious Consideration

Connect The Dots

Give Jesus Serious Consideration



Miracles

Connect The Dots

Give Jesus Serious Consideration

```
graph TD; A["Give Jesus Serious Consideration"] --> B["Miracles"]; A --> C["Discipline"];
```

Miracles

Discipline

Connect The Dots

Give Jesus Serious Consideration

Miracles

CROSS

Discipline

