

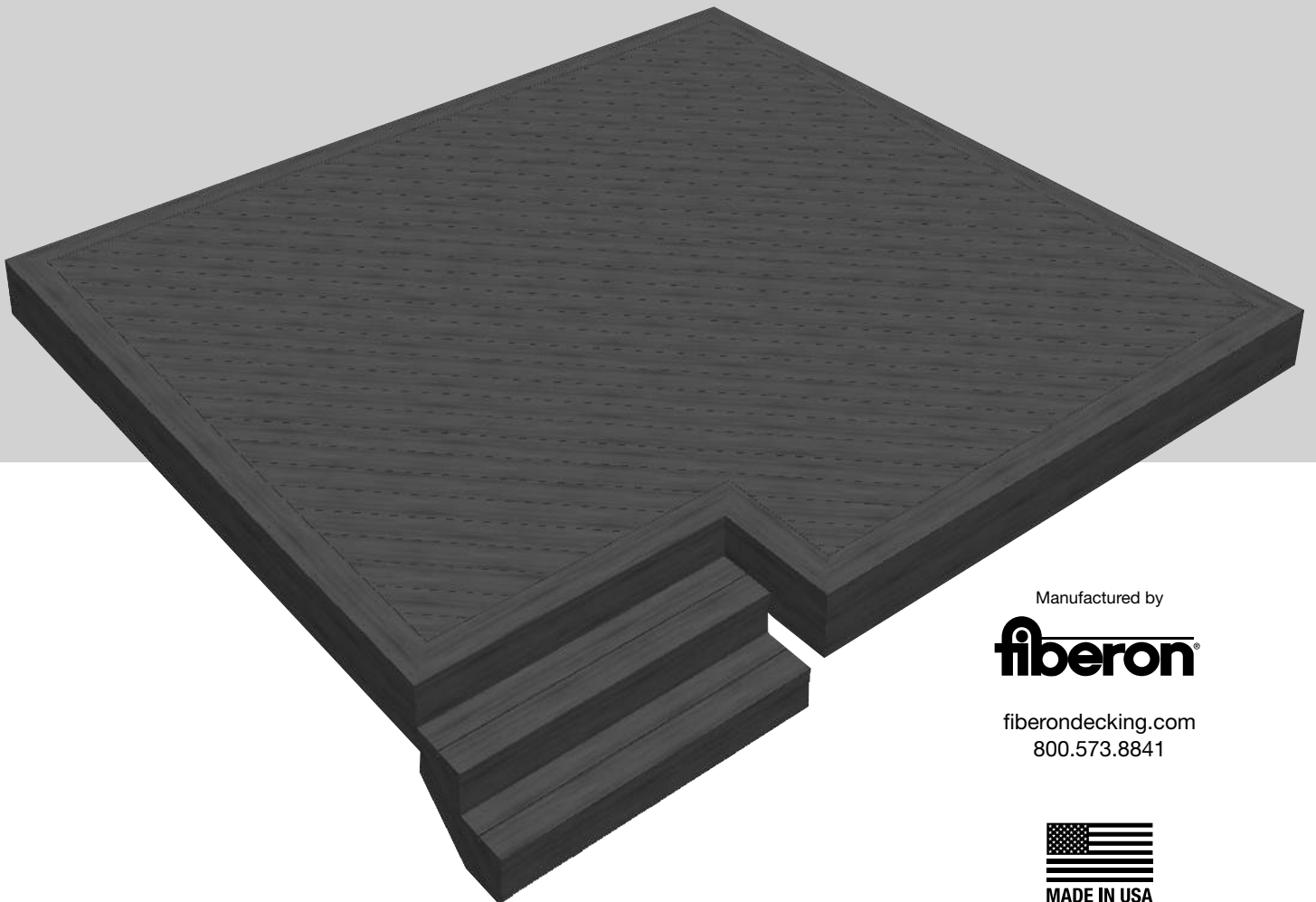
fiberon[®]

RELAX[®]

DECKING

featuring Rise[®] Technology 

2018 Installation Instructions



Manufactured by

fiberon[®]

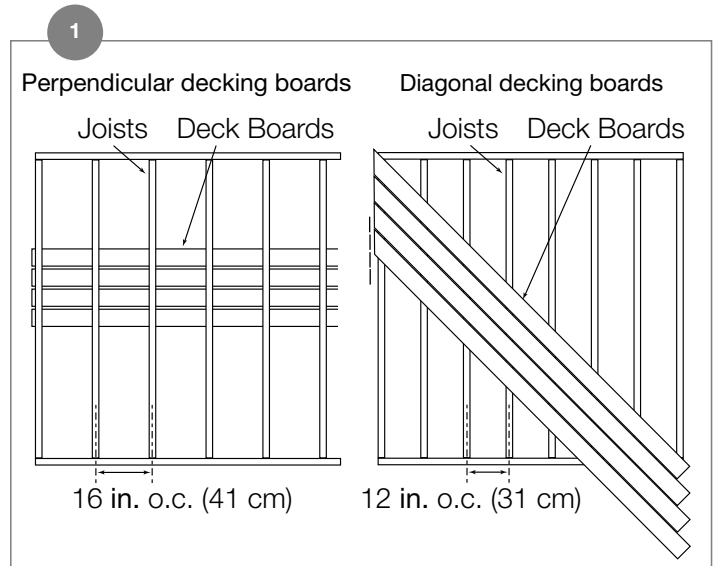
fiberondecking.com
800.573.8841



Getting started

Follow local approved building codes. Careful planning of the finished deck layout will result in better looking finished projects. Failure to follow installation guidelines could void warranty.

- Before starting, material should be stored on a flat surface and supported every 24 in. (61 cm).
- Boards **MUST** be kept covered and dry, and allowed to acclimate to site conditions prior to installation.
- Read the instructions for both the decking and railing systems planned for the project. Thoroughly reading all instructions first will make for more profitable projects. Failure to do so may result in more difficult installation and may void warranty.
- This decking is for deck surface use only, not structural application.
- Make sure there is adequate and unobstructed air flow under 50% of the deck. Allow a minimum of 1.5 in (4 cm) between bottom of joist and the ground. Water must be able to flow away from under the deck. Improve drainage or grade flat areas where standing water may gather. Do not install decking directly to an existing or solid surface.
- Sleeper installation: Minimum joist height is 1.5 in, installed level, in direction of water runoff and directly to a solid sub-structure. Create adequate ventilation for the deck by widening side-to-side spacing between boards to ¼ in. with a maximum of 3/8 in. gap. The deck design must allow unrestricted air flow under the deck at the open joist ends for ventilation and drainage.
- Under-deck waterproofing systems, properly installed, can provide additional living or storage space. Improper installations are those that restrict air flow and result in buildup of heat and/or humidity, which can result in unwanted consequences.
- When using a ladder on composite decking, it is mandatory to lay down a sheet of plywood over the deck surface to disperse the load of the ladder's feet to nearby underlying joists. Drill fasteners downward through the top of the plywood sheet to keep it from slipping. Position fasteners so they adequately protrude and rest firmly in the gaps between the deck boards and into the joists. This will avoid leaving holes in your decking once the plywood sheet is removed. Always follow the ladder manufacturer's instructions and safety tips.
- Heat buildup from heat sources like fire features or reflected sunlight from glass could potentially damage Fiberon decking surfaces.

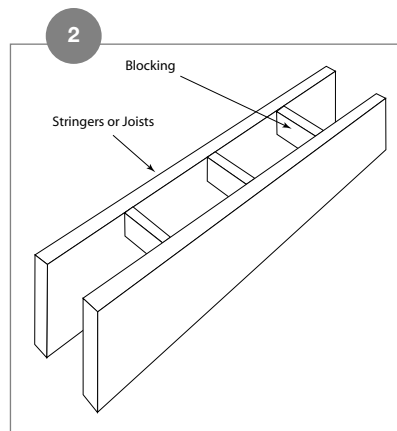


Note: Using joist tape can lengthen the life of the decking substructure.

Joist location is important for the safety of the deck and will affect the layout, cost, and ease of installation for the railing system. If railing will be installed, determine rail post placement prior to joist construction. Joists used in deck frame construction should be 2 in. x 8 in. (5 cm x 20 cm) or larger.

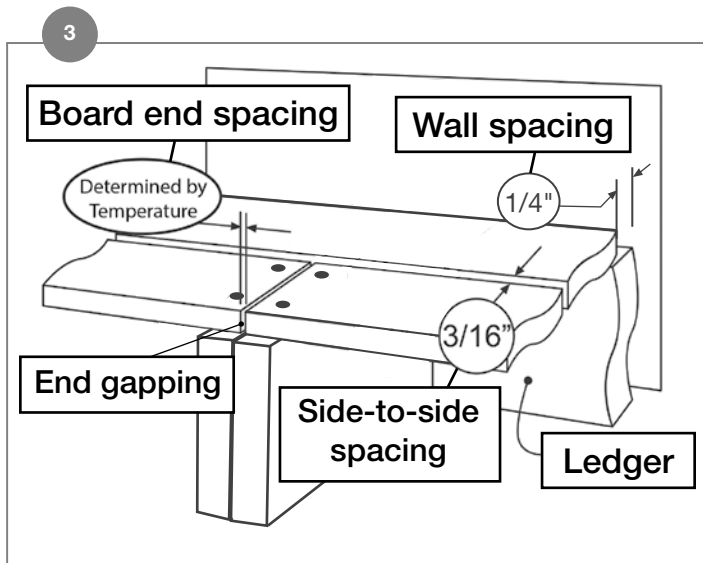
When installing heavy loads on top of your decking project like a hot tub, for example, it is important to also understand the requirements of the particular manufacturer, as they may have specific framing and support requirements for their warranty coverage.

Joist/Stringer spacing			
	Residential		
	Perpendicular	Diagonal	Stairs
Relax	16 in.	12 in.	12 in.



When installing blocking for more intricate decking patterns, remember that solid blocking (blocking laid on the flat) will inhibit water flow and result in buildup of organic materials over time, which will make cleaning more difficult. When blocking is required, install ladder style for best results.

Relax Decking installation instructions



All decking materials, whether wood, composite, or metal, undergo some degree of linear expansion with weather and seasonal changes.

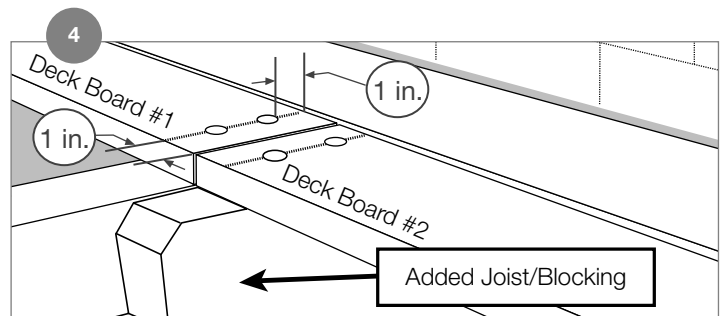
For best spacing results:

- Keep boards out of direct sun during storage and cutting processes, and throughout installation if possible.
- Never cut and install boards in direct sunlight.
- To compensate for the effects of contraction and expansion, use short boards (where possible) with splitter/divider boards between each continuous run of boards.
- Keep the boards dry, and do not install wet, i.e., after having been rained on more than very briefly.

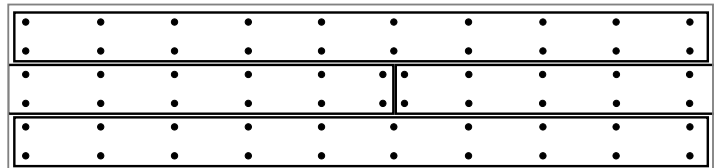
Recommended board spacing of $3/16$ in. between board sides will provide proper drainage and ventilation and assist with the removal of small organic debris. Allow a minimum of $1/4$ in. spacing between boards and any permanent structure. Spacing requirements must be met for full Fiberon warranty coverage.

End-to-end spacing by temperature					
Brand	35° & Under	36° - 69°	70° - 89°	90° - 109°	110° & Up
Relax	$3/16$ in.	$1/8$ in.	$3/32$ in.	$1/16$ in.	$1/32$ in.

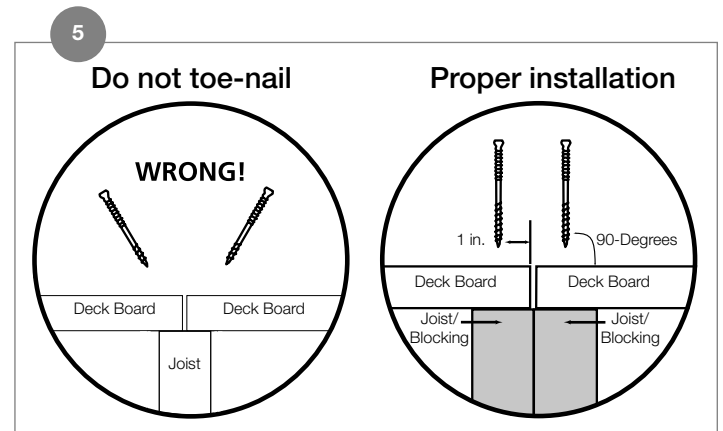
Surface fastening instructions



For best results, Relax decking should be fastened using composite decking screws. In most cases, pre-drilling is not required. **DO NOT USE common wood deck screws, i.e. bugle head.** Relax decking can also be fastened using pneumatic nails with the depth adjusted accordingly to drive heads flush with the surface. Use caution to avoid overtightening fasteners, or it will induce cracking at board ends and could lead to eventual cracking around other fasteners. Relax decking boards can be surface-fastened at 1 in. on ends and sides. Maximum of 1 in. overhang allowed.

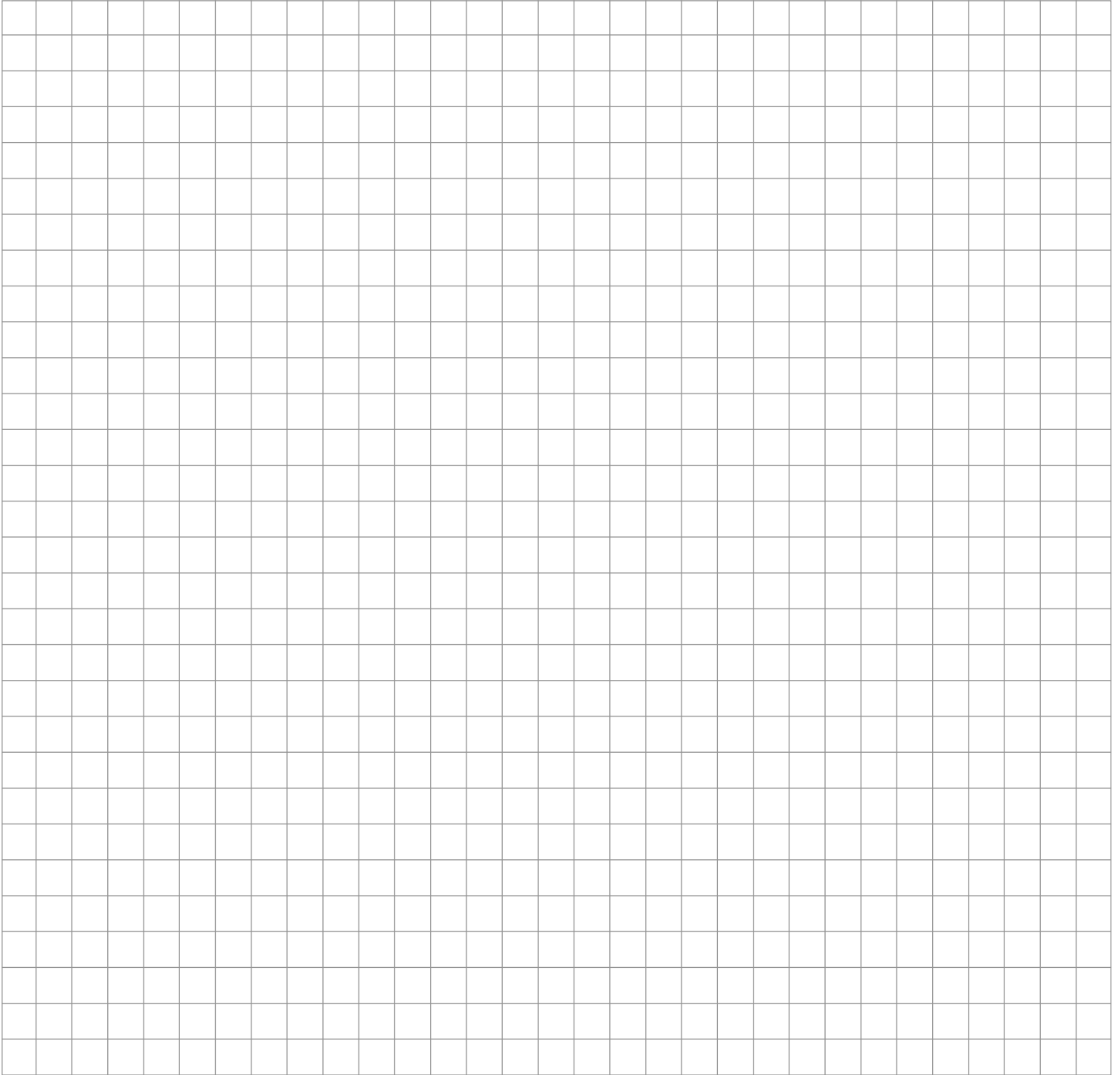


Tip: Straight rows of fasteners (see example above) look cleaner and less noticeable than uneven rows. White chalk, straight boards, or string lines can be used as guides for installing fasteners. Never use colored chalk.



Always drive in surface fasteners at a 90° angle to the decking surface with two fasteners at every joist location. Do not toe-nail screws into the joist. Instead, place blocking/sister joists to allow perpendicular installation of surface fasteners at board ends.

Design Grid



Deck it right the first time.™

fiberondecking.com

1-800-573-8841