



STYLE GOTHIC PANEL
RANCH RAIL (2 Rail)
RANCH RAIL (3 Rail)

INSTALLATION MANUAL

GOTHIC PICKETS AND RANCH RAIL



Questions, problems, missing parts? Before returning to the store,
call Fibron Customer Service
8 a.m. - 7 p.m., EST, Monday - Friday, 9 a.m. - 6 p.m., EST, Saturday

1-800-215-2740

FIBRONFENCING.COM

THANK YOU

We appreciate the trust and confidence you have placed in Fibron through the purchase of this fencing. We strive to continually create quality products designed to enhance your home. Visit us online to see our full line of products available for your home improvement needs. Thank you for choosing Fibron!

Pre-Installation

TOOLS REQUIRED

- Air compressor
- Tape Measure
- Wheel Barrow
- Post Hole Digger
- Saw
- Staple Gun
- Hammer
- Clamp
- Level
- Power Drill
- Rail & Bracket Locator Template (provided)

SUPPLIES

- Quick Set Concrete
- Gravel
- Twine or String
- Stakes
- Spray Paint
- Galvanized Staples Leg: 1 1/4 / 1 1/2 in.
- Work Gloves
- Brackets
- Pencil

PRIOR TO INSTALLING THE FENCING



IMPORTANT: Please read and follow the instructions in this section before you begin installation of your fencing products.



NOTE: Prior to digging, confirm location of underground utilities with local authorities. Apply for permits if required by local authorities and codes. Local zoning laws, neighborhood associations and/or historic districts may regulate size, type placement and ability of fencing. Ensure compliance prior to installation.



NOTE: Due to variation in picket width, minor adjustments to gapping may be required. Care should be taken to ensure that spacing does not result in too large of gap at the end posts.

PLANNING:

- Determine total area to be fenced.
- Site-Built installation: Ensure the right amount of pickets and rails per section.
- Make adjustments for odd widths at the back corners or build partial sections equally. Example: If you have 8 feet left in a run, consider building two 4 ft. sections rather than a 6 ft. and a 2 ft..
- Determine the number of posts including gate post and gate location (if applicable).
- Installations are facilitated with the use of an air compressor or air driven staple gun.
- Recommendation fasteners include 1-1/4 - 1-1/2 in. long x 1/4 - 7/16 in. crown galvanized and oiled or stainless steel staples, 16 - 18 gauge. Name brand staples are more reliable. Air compressor set to 90-100 PSI.

Pre-Installation (continued)

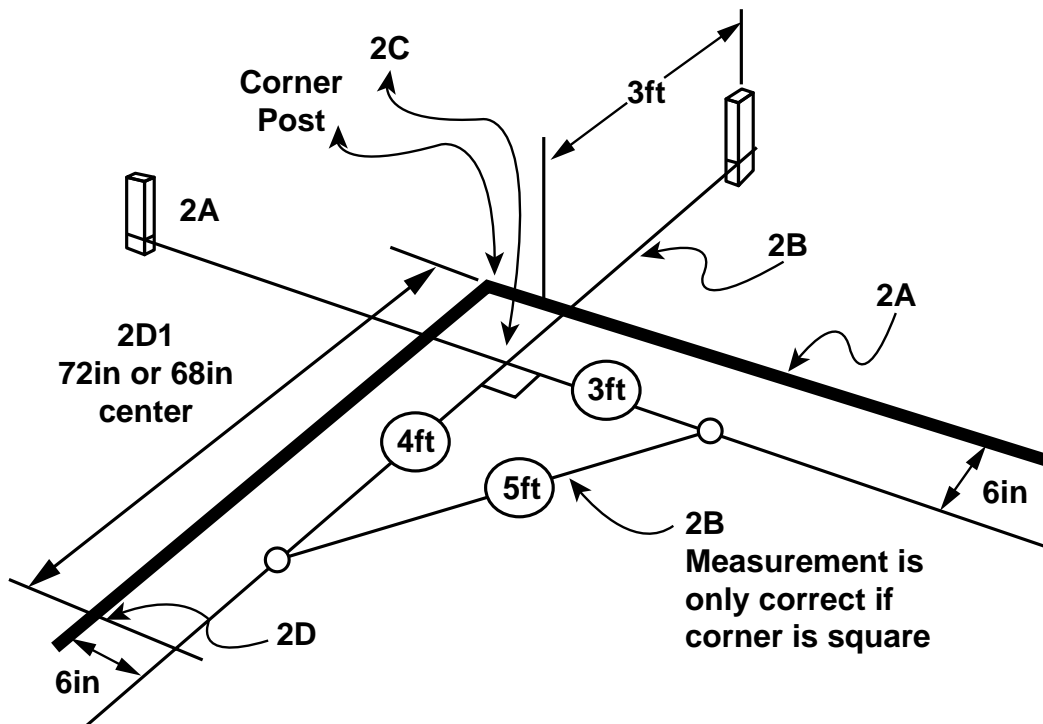
PRIOR TO INSTALLING THE FENCING

LAYOUT (See Diagram):

- 2A. Establish total area to be fenced. Insert stakes 6 in. inside of proposed area extending an additional 3 ft. laterally so as not to disturb string lines when digging post holes.
- 2B. Attach string line to staked area. Verify corners are square using the 3 ft. x 4 ft. x 5 ft. method.
- 2C. Fence corners are determined by where strings intersect.
- 2D. Mark locations for subsequent posts starting with the first location and measuring the appropriate distance determined by install method.
 - 2D-1. Bracket Side Mount - Maximum of 72 in. post-center to post-center
- Mark gate location and size. Minimum 44 in. inside posts when using Adjustable Gate Frame.
- Place proper post at each location.



NOTE: When marking measurements with spray paint, mark both the ground and string (See illustration)



All Purpose Post Installation

1 Dig hole:

- Dig hole 12 in. wide x 26 in. deep.

2 Add Gravel

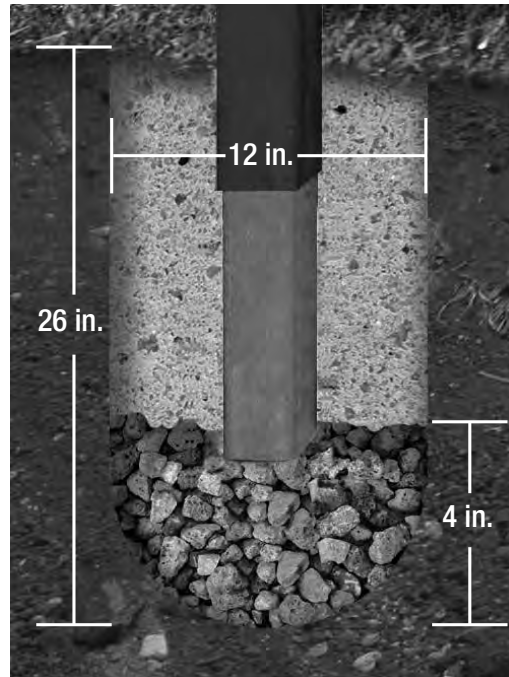
- Add 4 in. gravel (depth now = 22 in.)

3 Set Post

- Add 80 lbs of concrete.

4 Next Post

- Set post at a maximum of 72 in. post-center to post-center.



Cross Rail Installation



IMPORTANT: Through temperature changes of seasonal weather, Wood Composite Fencing will experience thermal expansion in the pickets and cross rails. To anticipate this expansion movement, our instructions include installation steps which need to be followed to prevent pressure from building in the fence during the hot summer months. Following these preventive steps will ensure a long lasting fence through the years. Avoid installing below 40 degrees.

USE RAIL & BRACKET LOCATOR

Place Rail and Bracket Locator template square against the post. Slide Bracket into location. Attach with provided screws.

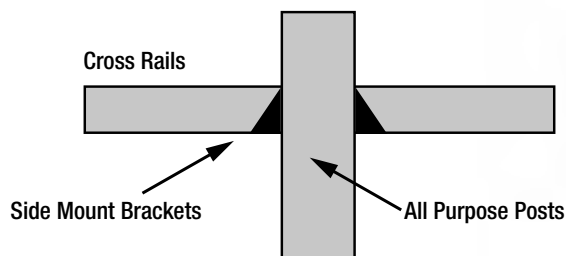
ADD CROSS RAILS IN BRACKETS

Slide Cross Rails into Brackets. Attach with provided screws through bracket screw slots. Skip using screw where picket covers bracket.

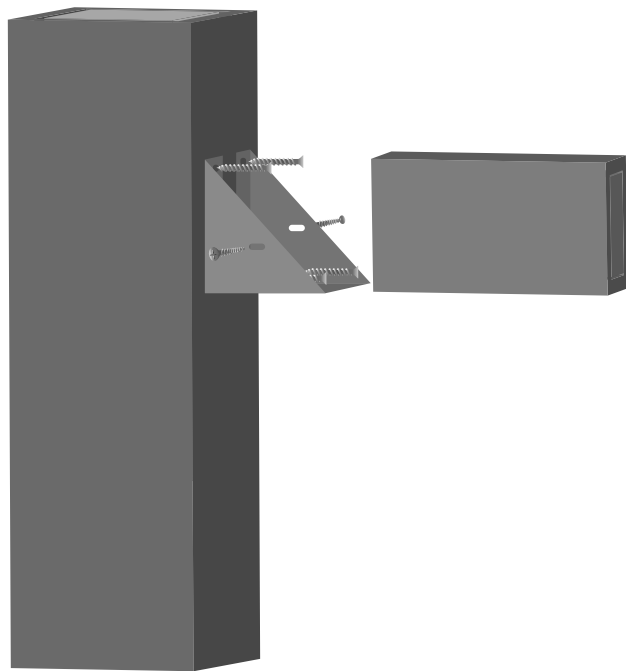
Screw/Bracket Slot Locations: Top Rail = Tighten screws into slot-top Middle Rail = Touch Tighten into slot bottom Bottom Rail = Touch Tighten into slot bottom



NOTE: Avoid applying screws to top 5 inches of post tops.

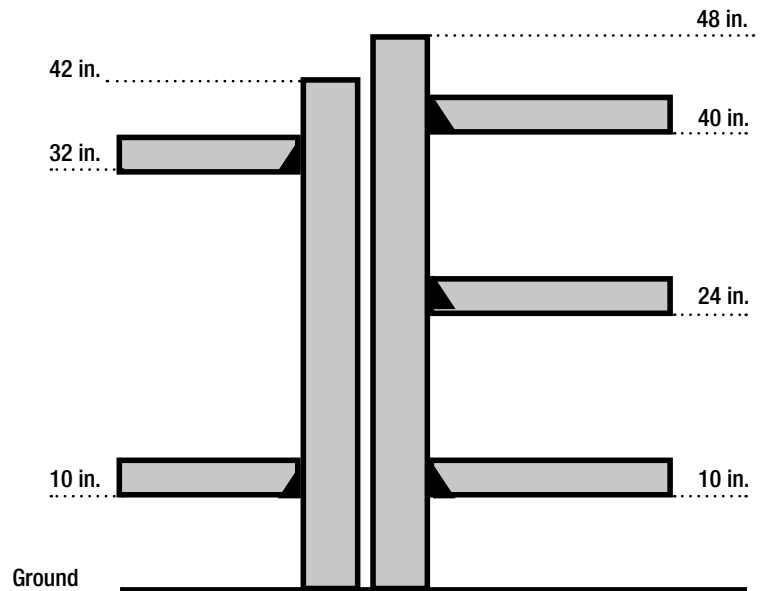


Cross Rail Installation

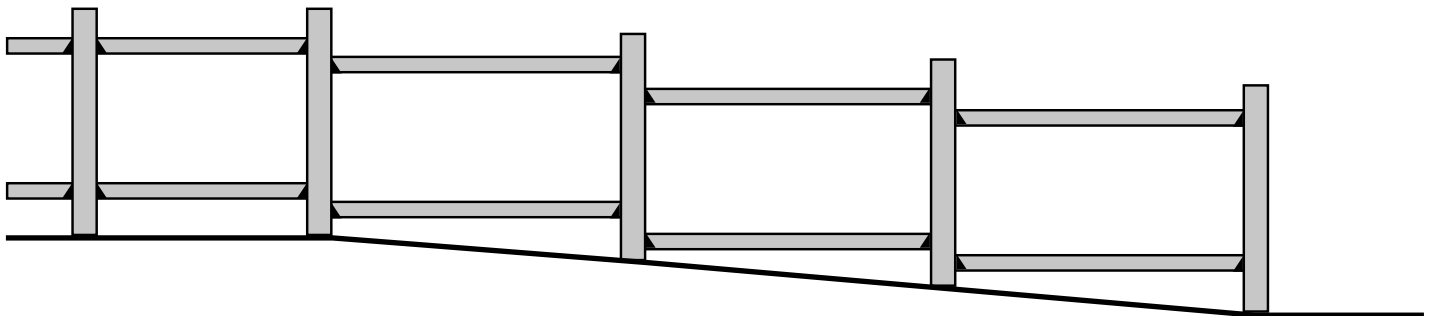


2 Rail

3 Rail



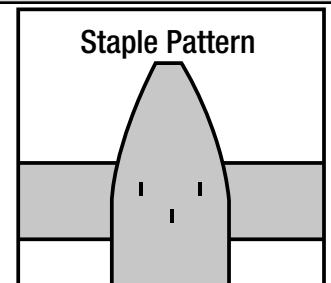
 **NOTE:** For sloping landscape, step brackets down.



Picket Installation

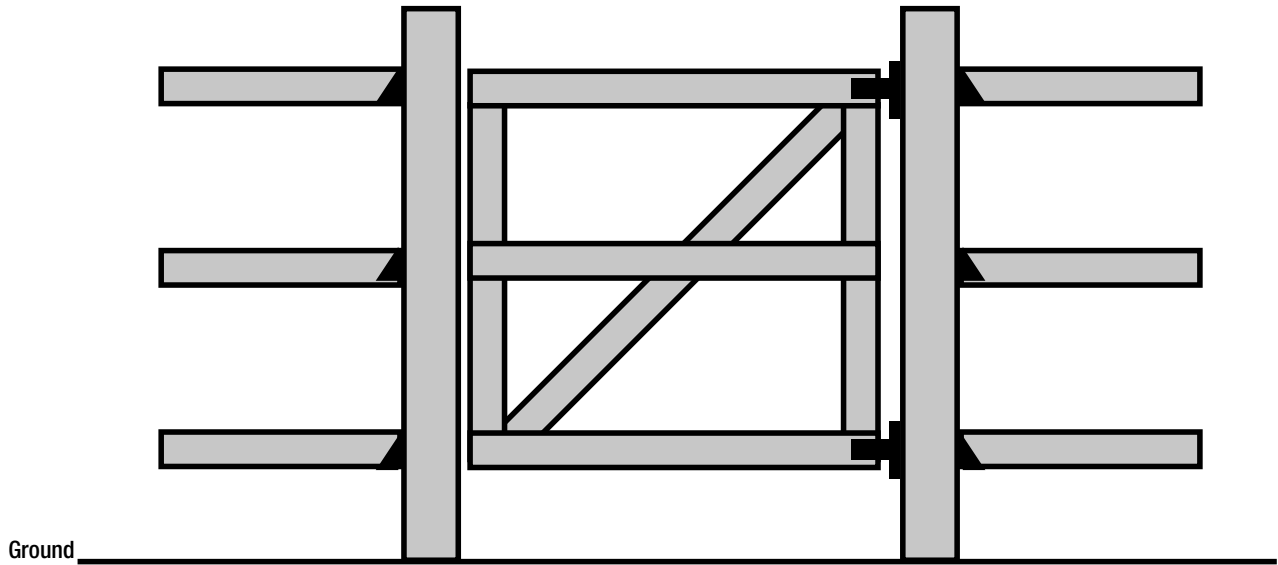
STAPLES

Holding the staple gun sideways, shoots 3 staples into each “picket and cross rail intersection” so the staples hide vertically in the grain of the picket. To prevent staple buckling when fired into pickets, go slow, push the staple gun firmly and make sure the fence panel is not bouncing back towards the gun. Shorter 1 1/4 in., 16 gauge staples are also used frequently in low-temperature installation to help prevent staple buckling. Set air-compressor to 90-100 PSI.



Gate Installation

Construct a gate using 2 or 3 rails plus an additional 3 rails. Build a square design, then add a diagonal rail for support to strengthen the gate. Purchase separately heavy duty gate hardware.



Warranty

15 & 10 YEAR PERFORMANCE LIMITED WARRANTY

WHAT IS COVERED

Fiberon Fencing is backed by a 15-year limited pro-rated warranty on fence pickets and backer rails. Fence posts are covered by a 10-year limited pro-rated warranty. When installed correctly, your composite fencing is guaranteed to remain free from rot, fungal degradation, checking, splintering and delamination.

Fiberon Fencing is a system of pickets, rails, and posts and must be installed according to guidelines to validate the warranty. Substitution of wood or other materials for any portion of the system will void the warranty.

WHAT IS NOT COVERED

In no event will the manufacturer be liable for any direct, indirect, incidental, special, consequential, punitive, exemplary, statutory, special, or other, damages based upon the manufacturer products or manufacturer fasteners or resulting, directly or indirectly, from any defect in the manufacturer products or fasteners, including but not limited to damage to, diminution in value of and/or loss of use or enjoyment of, any property or part thereof, whether based on contract, tort, strict liability, statute, regulation or otherwise, even if the manufacturer is expressly advised about the possibility of such damages. Some states do not allow the exclusion or limitation of incidental or consequential damages in certain circumstances, so the above limitation may not apply to you.

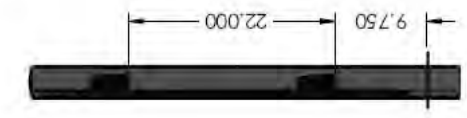
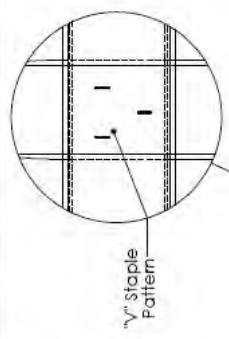
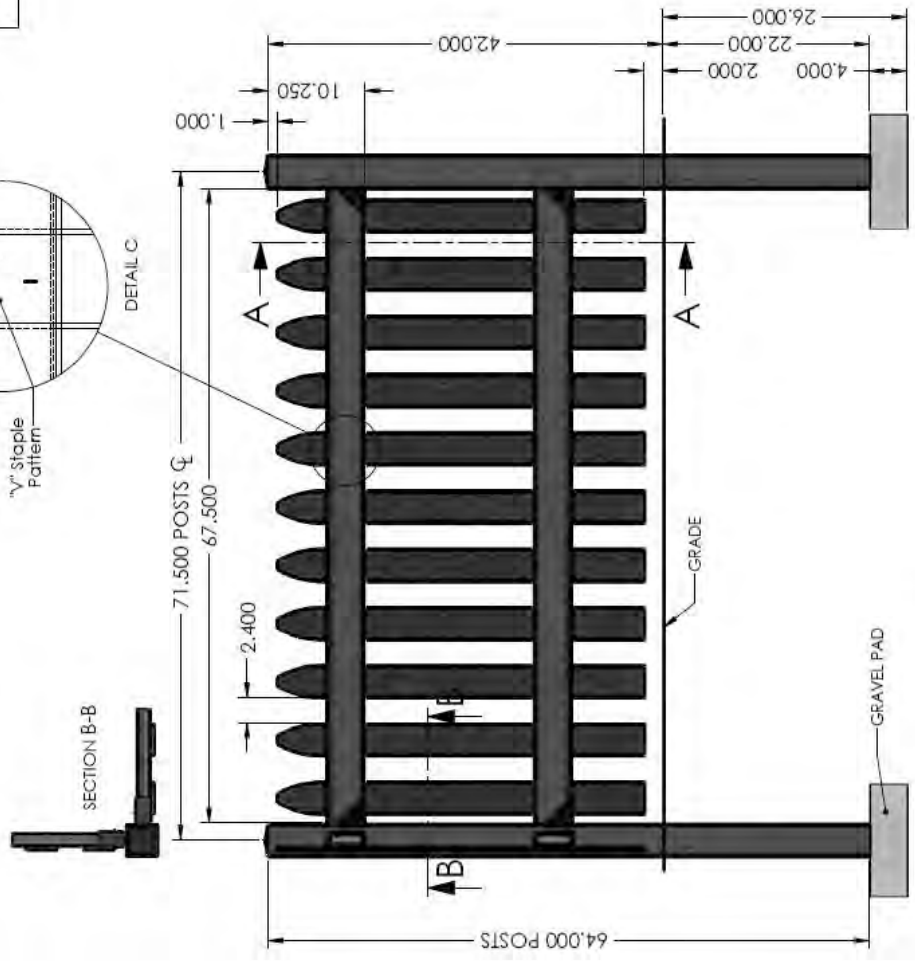
In addition, this Limited Warranty does not cover and the manufacturer shall not be liable for any installation, removal or reinstallation costs. The manufacturer does not warrant against and is not responsible for, and no express or implied warranty shall be deemed to cover, any condition attributable to: (1) improper installation of products and/or failure to abide by the manufacturer's written instructions and any applicable laws or building codes, including but not limited to improper structural support, fastening, ventilation or gapping; (2) use of the manufacturer's products beyond normal use or in an application not recommended or permitted by the manufacturer's written instructions and applicable laws and building codes; (3) movement, distortion, collapse or settling of the ground or the supporting structure on which the manufacturer's products are installed; (4) Defects in or failure arising from decking structure resulting from water caused by improper installation, workmanship, maintenance or repair; (5) any Act of God (including but not limited to flooding, hurricane, tornado, wind, earthquake, lightning, hail, etc.); (6) discoloration, fading, spotting or staining from or caused, in whole or in part, by mold, mildew, other fungal growth, organic materials, metallic oxides or particles (including but not limited to rust or corrosion of any fasteners), dirt, other atmospheric or environmental pollutants, foreign substances such as grease or oil, chemicals (including but not limited to those found in cleaners), or normal weathering (defined as natural efflorescence, exposure to sunlight, weather and atmospheric conditions which causes any colored surface to gradually fade, flake, chalk, or accumulate dirt or stains); (7) damage resulting from casualty, fire or exposure to heat sources such as cooking devices or retro-reflective surfaces; (8) the application of paints, stains, surface treatments or other chemical substances including but not limited to cleaners or pesticides; (9) fading, flaking or other deterioration of any paints, stains or other coatings placed on the manufacturer's products; (10) climate change, environmental conditions, static electricity or any cause beyond the control of the manufacturer; (11) variations or changes in color of the manufacturer's products; (12) improper handling, maintenance, storage, abuse or neglect of the manufacturer's products by Purchaser or others; (13) ordinary wear and tear; (14) impact from objects; or (15) any fasteners not supplied or approved by the manufacturer.

No warranty is given with respect to any fasteners other than the fasteners produced by the manufacturer. Other fasteners, whether approved fasteners or otherwise, are subject to only the warranties provided by the manufacturer of the fastener and Purchaser's sole warranty and remedy is with that manufacturer.

Contact the Customer Service Team at 1-800-215-2740 or visit www.FIBERONFENCING.com.

42" Gothic Spaced Picket Bracket Mount
71.5" Posts Center-to-Center

REVISIONS				
ZONE	REV.	DESCRIPTION	DATE	APPROVED
	A	GRAPHIC CHANGES	3/26/2014	RL



SECTION A-A

SECTION B-B

NOTE: BRACKET MOUNT INSTALL FOR PRE-BUILT SECTIONS OR INDIVIDUAL COMPONENTS.

UNLESS OTHERWISE SPECIFIED:		DRAWN		DATE		PROJECT AND COMMENTS	
DIMENSIONS ARE IN INCHES		CHECKED				INFORMATION CONTAINED IN THIS DRAWING IS THE PROPERTY OF THE COMPANY AND IS NOT TO BE REPRODUCED OR TRANSMITTED IN ANY FORM OR BY ANY MEANS, ELECTRONIC OR MECHANICAL, WITHOUT PERMISSION IN WRITING.	
TOLERANCES:		ENG APPR.				TITLE: 2014 FENCE:	
FRACTIONAL ±		MFG APPR.				Gothic Spaced Picket Face Mount	
TWO PLACE DECIMAL ±		I.D.A.				SYSTEM 18	
THREE PLACE DECIMAL ±		COMMENT:				SIZE DWG. NO. REV	
NEAREST QUARTER INCH		MATERIAL:				B A	
TOLERANCING PER:		FINISH:				SCALE: 1:20 WEIGHT:	
		DO NOT SCALE DRAWING				SHEET 1 OF 1	