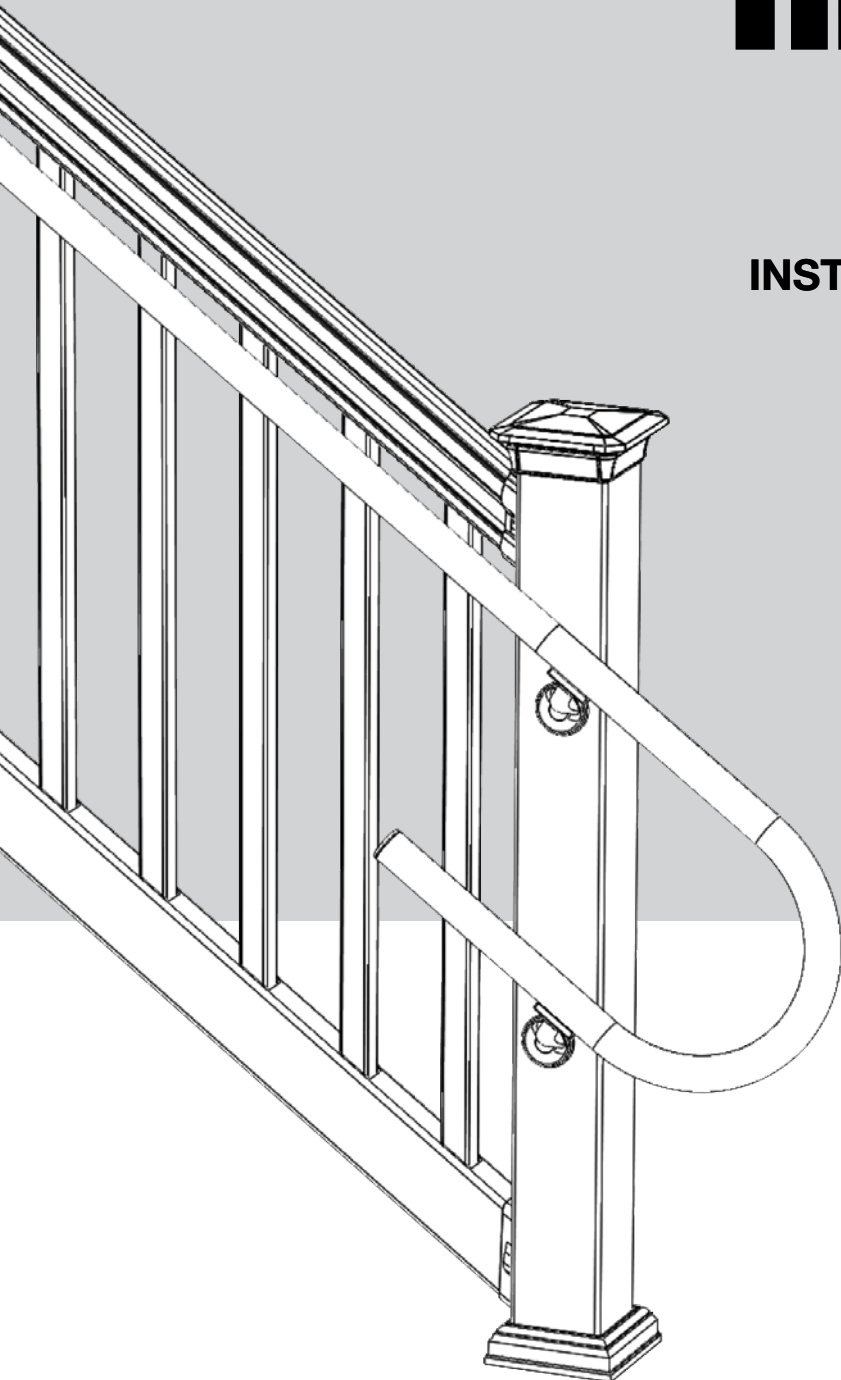




ADA HANDRAIL INSTALLATION INSTRUCTIONS



Distributed by



fiberondecking.com
800.573.8841



Required Tools and Supplies:

- Power saw with a carbide tip blade of at least 60 teeth
- Multi-purpose Adhesive
- Protective Eye Wear
- Tape Measure
- Pencil
- Level
- Clamps
- 5/32-in bit
- 5/16-in bit
- 9/16-in socket wrench
- Square Head #2 Bit
- Phillips Bit

Attaching a Support Bracket

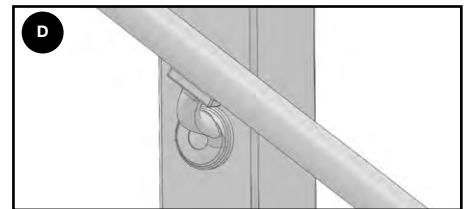
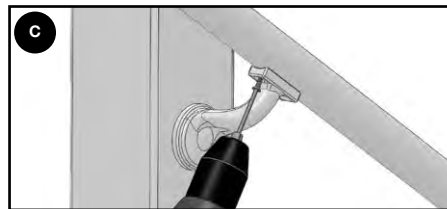
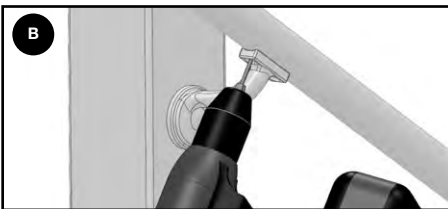
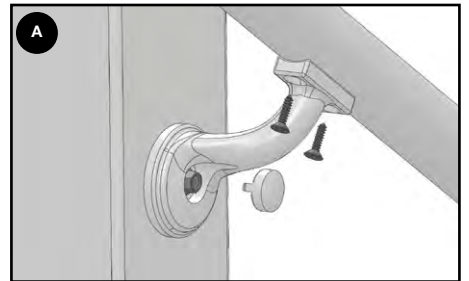
1

Mark the location of the Bracket holes and pre-drill with a 5/16-in bit. Using a 9/16-in socket, secure Bracket to the post with a 3/8-in x 2 1/2-in lag screw. Snap the Cover into place over the screw head.



2

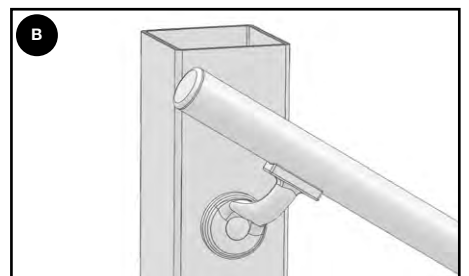
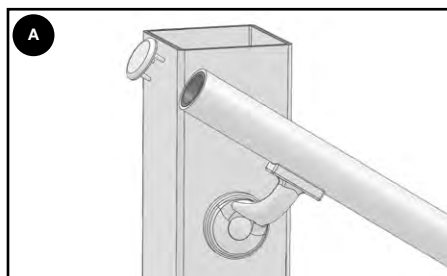
Install Handrails to Brackets by pre-drilling holes with a 5/32-in bit, then securing with supplied #12 x 1-in screws. Do not over tighten.



Installing an End Cap

3

Secure Cap with adhesive.

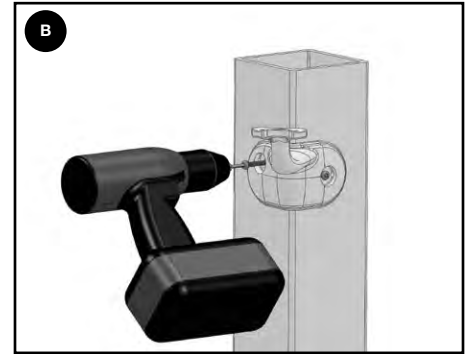
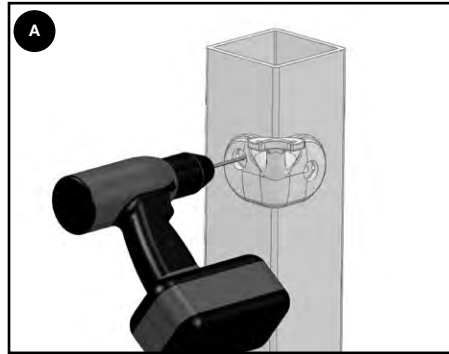


ADA Handrail Installation Instructions

Building an Inside Corner Support

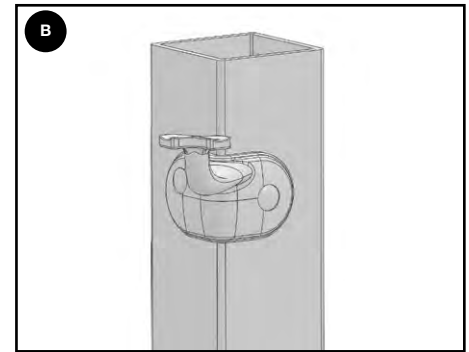
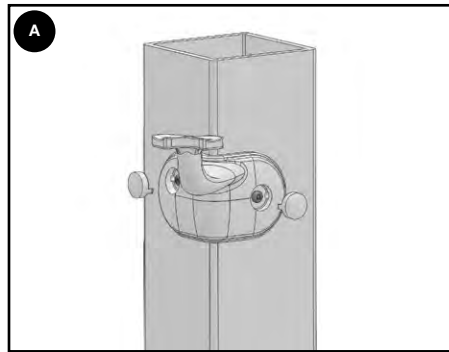
1

Locate the Bracket and pre-drill with 5/32-in bit. Make sure the drill bit penetrates the wood post or the surface mount stabilizer. Secure the corner bracket using the supplied #12 x 2 1/2-in screws.



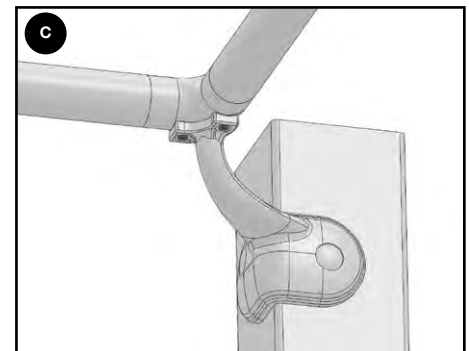
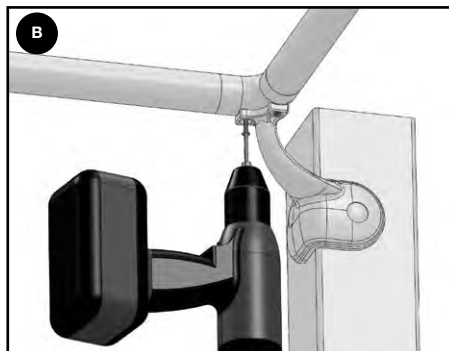
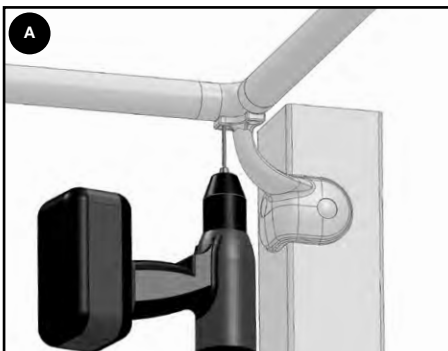
2

Finish by inserting Screw Covers, noting alignment tabs for centering onto Bracket.



3

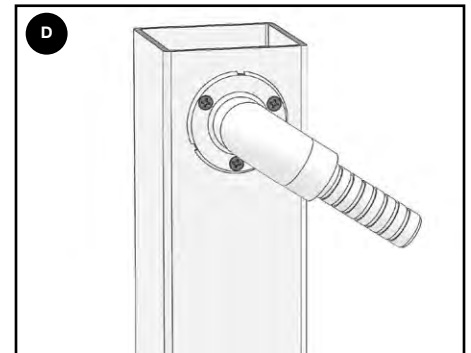
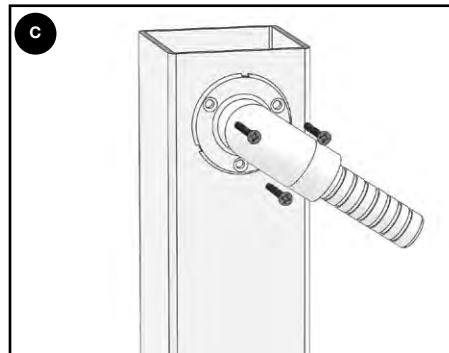
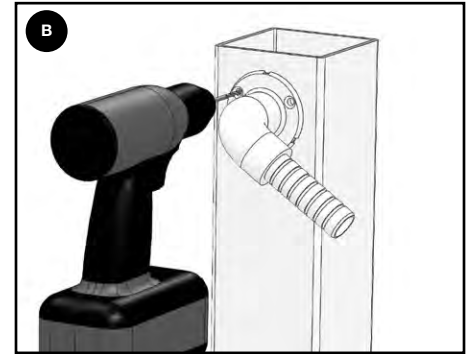
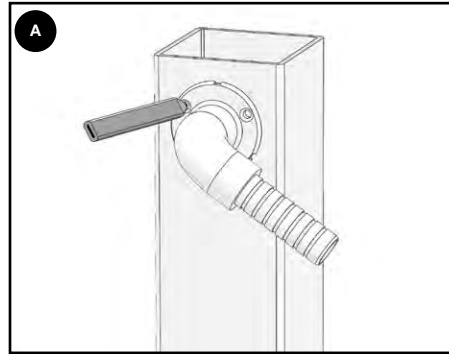
Install a Handrail to a Corner Bracket by pre-drilling holes with a 5/32-in bit, then securing with supplied #12 x 1-in screws. Do not over tighten.



Attaching a 90 Degree Wall Return

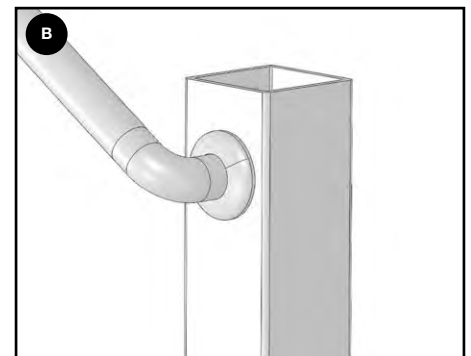
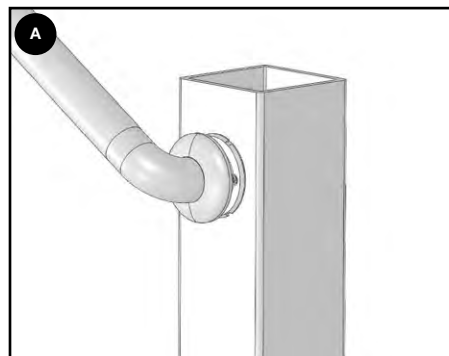
1

Attach a Wall Return by locating the holes and pre-drilling with a 5/32-in bit. Secure using the supplied #12 x 2 1/2-in screws. Do not over tighten.



2

Attach the Cover by aligning the tabs with the Wall Return base and pushing it towards the post until flush. Next, turn the Cover slightly clockwise to lock in place.

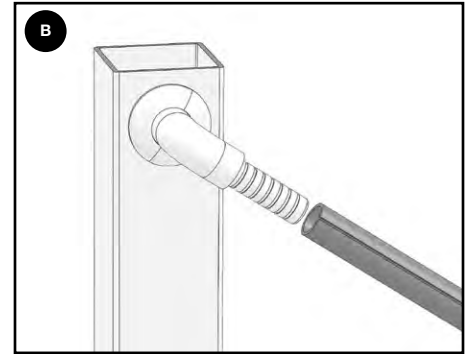
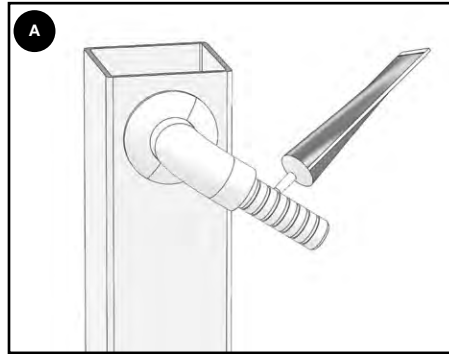


ADA Handrail Installation Instructions

Installing Handrail to a 90 Degree Wall Return

1

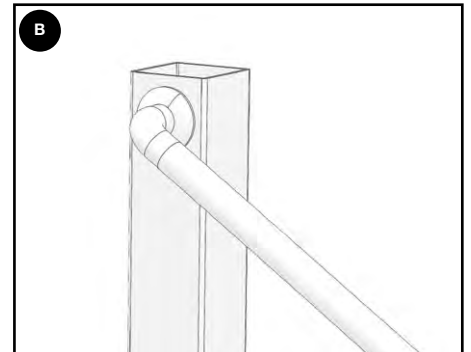
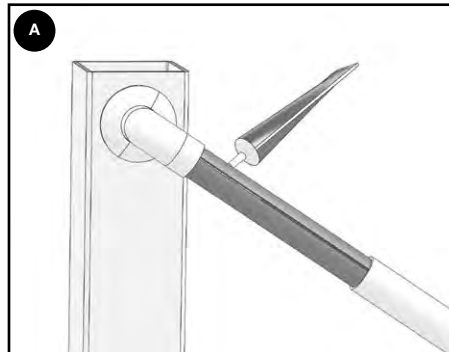
Apply adhesive to the 90 Degree Wall Return Joiner. Insert the rail Stiffener over the Wall Return Joiner.



TIP: Use a dead blow hammer to fully seat the Rail Stiffener. Do not use a metal hammer, as the Rail Stiffener can be mushroomed and make inserting back into the Handrail difficult.

2

Finish by applying adhesive to the handrail Stiffener, and sliding the Handrail over the Stiffener until completely flush against Wall Return.

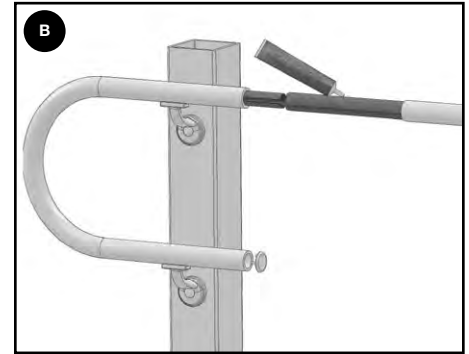
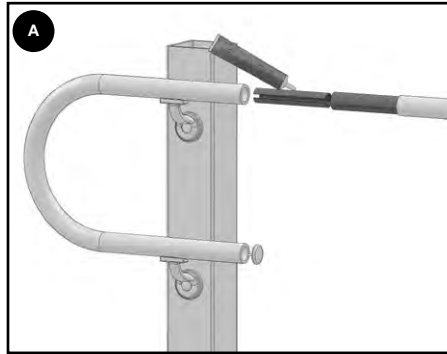


Installing an End Loop (Horizontal Installation Shown)

1

Locate and pre-drill Handrail Bracket holes in post using 5/16-in bit, then secure with supplied 3/8-in x 2 1/2-in lag screw using a 9/16-in socket. Snap bolt covers into place. Do not over tighten.

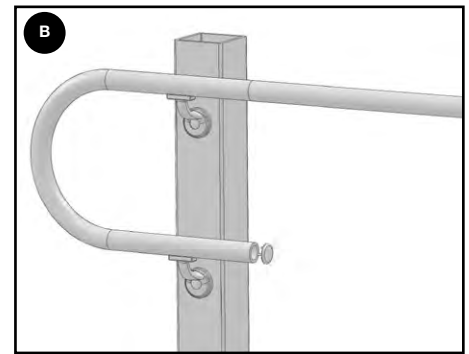
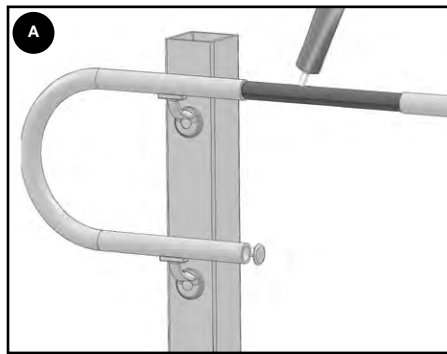
Apply adhesive to Straight Joiner and insert halfway into Rail Stiffener inside End Loop. Apply adhesive to exposed side of Straight Joiner and slide the rail Stiffener on Joiner until fully seated into End Loop.



TIP: Use a 12-in adjustable plier to slightly compress the Straight Joiner and insert it into the rail stiffener, then use a dead blow hammer to fully seat the Rail Stiffener. Do not use a metal hammer, as the Rail Stiffener can be mushroomed and make inserting back into the Handrail difficult.

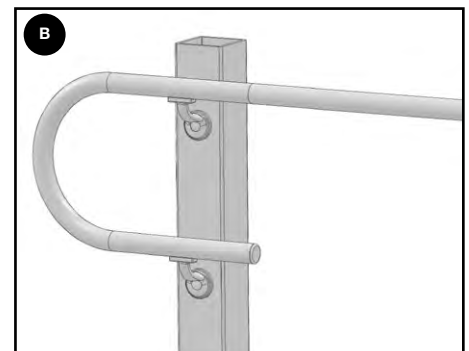
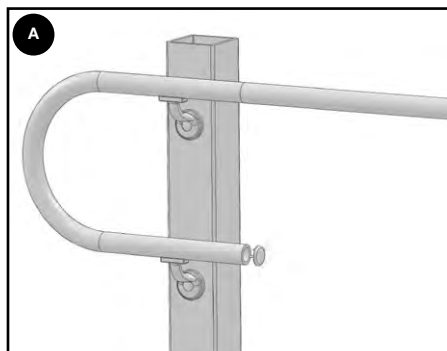
2

Apply adhesive to Stiffener and slide Handrail over Stiffener until flush against End Loop.



3

Secure the End Loop Assembly by first pre-drilling End Loop with 5/32-in bit, then securing with supplied #12 x 1-in screws, two per bracket. Do not over tighten. Complete assembly by applying adhesive to rail End Cap to secure to End Loop.

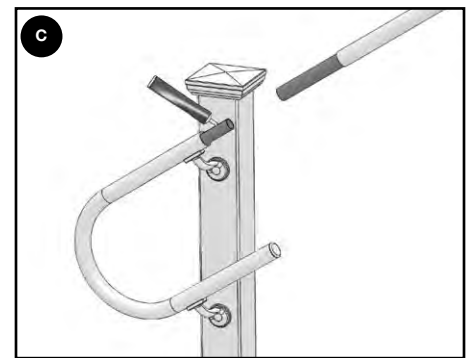
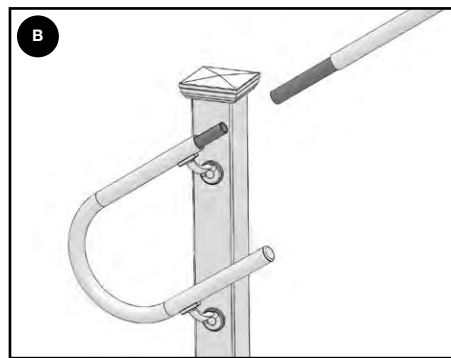
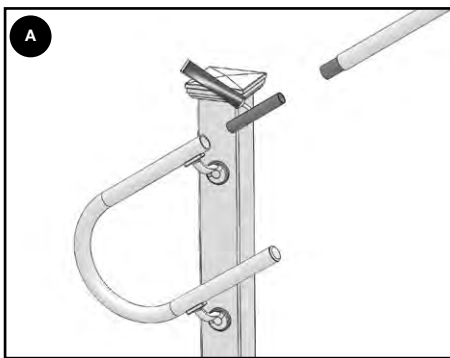


ADA Handrail Installation Instructions

Installing an End Loop (Angled Installation Shown)

1

Locate and pre-drill End Loop Brackets to post using 5/16-in bit, then secure using a 9/16-in socket and supplied 3/8-in x 2 1/2-in lag screws. Snap the Cover into place over the screw head. Apply adhesive to Straight Joiner and insert half into End Loop. Do not over tighten.

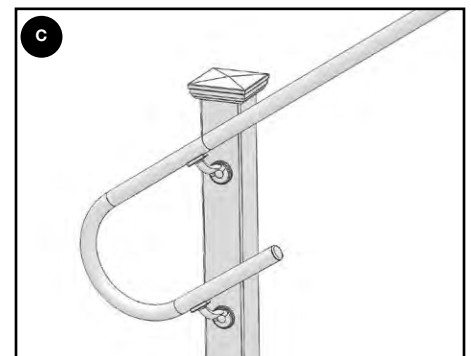
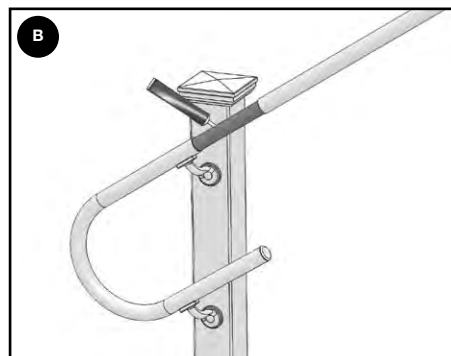
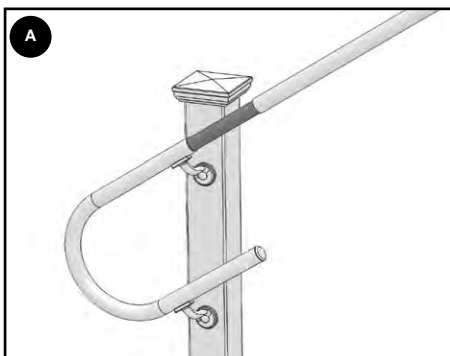


NOTE: Depending on the stair angle, the lower loop may be shortened as needed. The End Loop can be custom cut to length using a 60 tooth carbide tip blade.

TIP: Use a 12-in adjustable plier to slightly compress the Straight Joiner and insert it into the rail stiffener, then use a dead blow hammer to fully seat the Rail Stiffener. Do not use a metal hammer, as the Rail Stiffener can be mushroomed and make inserting back into the Handrail difficult.

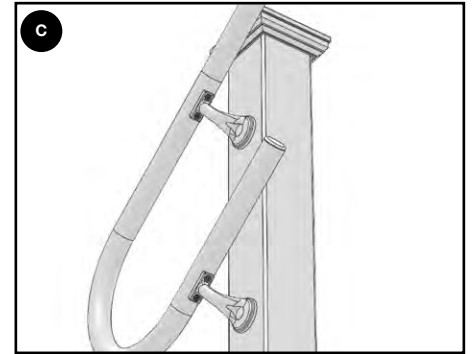
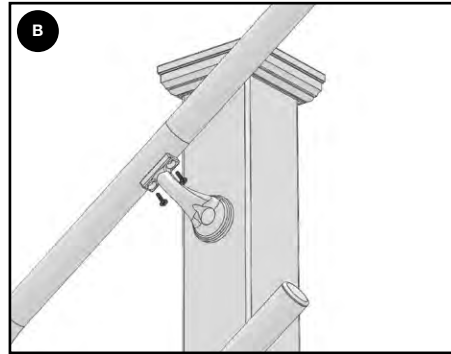
2

With the Joiner halfway inserted, apply adhesive to the exposed half of the Joiner and slide the Stiffener over the Joiner until fully seated into End Loop. Apply adhesive to the Rail Stiffener, and slide the Handrail over and flush with the End Loop.



Installing an End Loop (Angled Installation Shown)**3**

Secure the End Loop assembly by first pre-drilling the End Loop with a 5/32-in bit, then securing with supplied #12 x 1-in screws, two per bracket. Do not over tighten. Complete the assembly by applying adhesive to Rail End Cap to secure to End Loop.

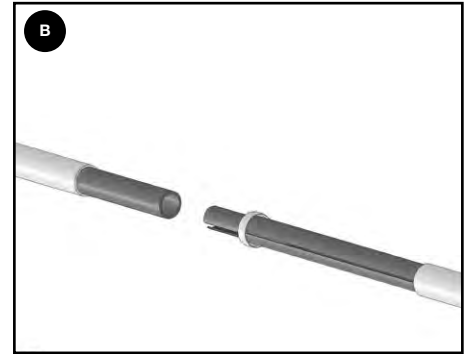
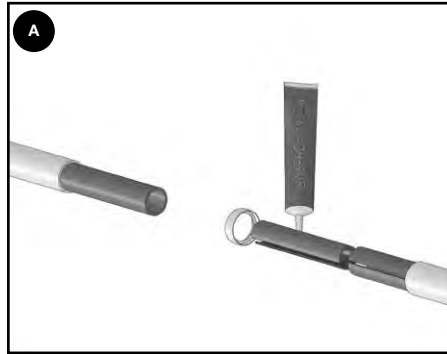


ADA Handrail Installation Instructions

Joining Handrails

1

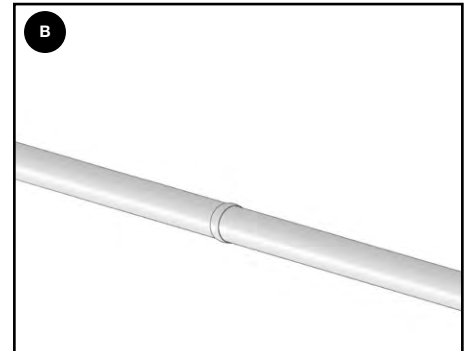
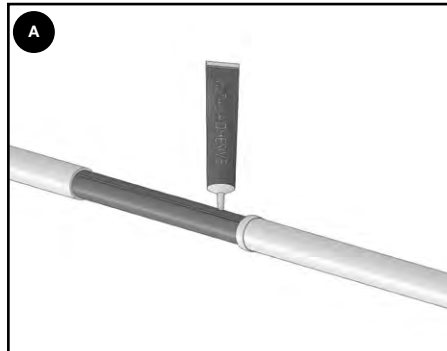
Position Joint Ring between the Handrail sections. Join the Handrail sections by applying adhesive to a Straight Joiner, then inserting it halfway into a section of Rail Stiffener. Repeat for opposite side of Joiner.



TIP: Use a 12-in adjustable plier to slightly compress the Straight Joiner and insert it into the rail stiffener, then use a dead blow hammer to fully seat the Rail Stiffener. Do not use a metal hammer, as the Rail Stiffener can be mushroomed and make inserting back into the Handrail difficult.

2

Finish by applying adhesive to the Rail Stiffener, then sliding the Handrails together at the joint until flush and covered by the Joint Ring.

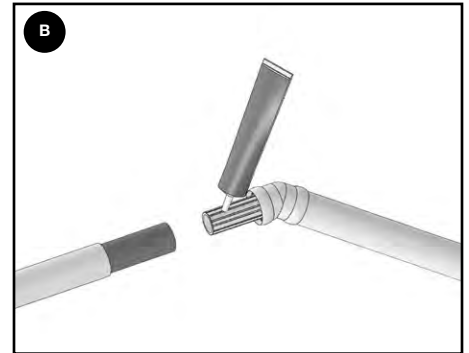
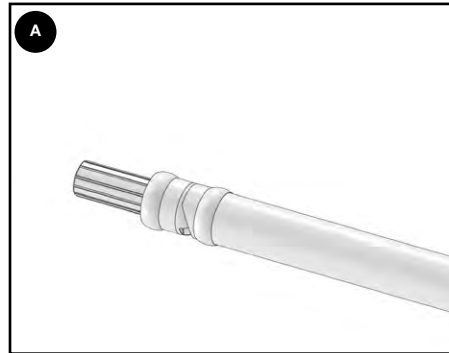


Building an Angle Corner

Note: Adjustable Joiner allows up to a 65 degree angle.

1

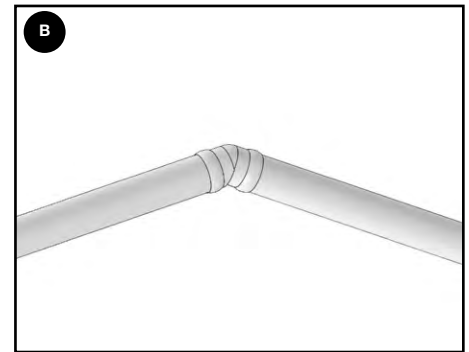
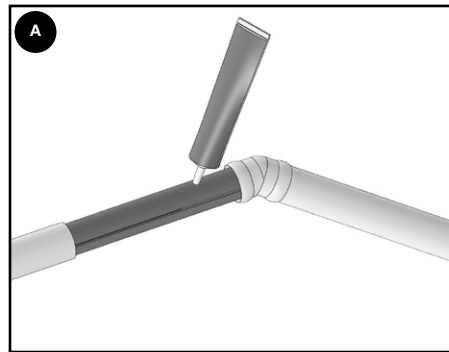
Cut Rail Stiffeners to the desired length. Apply adhesive to the Adjustable Joiner. Insert end of Adjustable Joiner into Rail Stiffener until end of Stiffener is flush and tight. Repeat for other.



TIP: Use a 12-in adjustable plier to slightly compress the Straight Joiner and insert it into the rail stiffener, then use a dead blow hammer to fully seat the Rail Stiffener. Do not use a metal hammer, as the Rail Stiffener can be mushroomed and make inserting back into the Handrail difficult.

2

Apply adhesive to the Rail Stiffeners at the ends, and slide ends of Handrails over Stiffeners until fully seated in Adjustable Joiner.



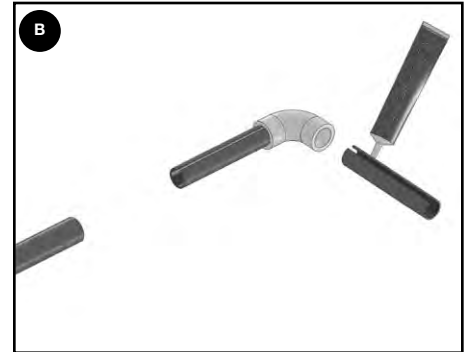
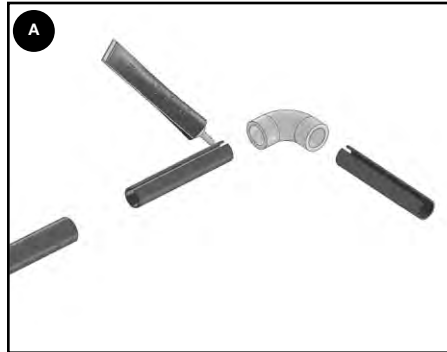
ADA Handrail Installation Instructions

Building a 90 Degree Corner

1

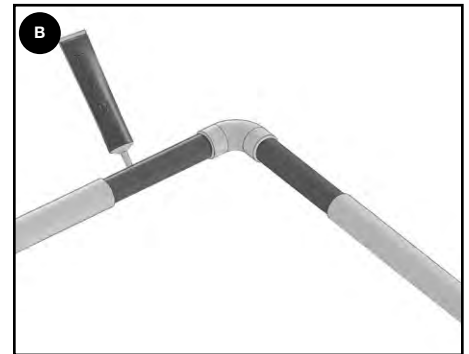
Cut Handrails and Stiffeners to required length. Apply adhesive to Straight Joiner and press into 90 Degree Corner.

Note: Straight Joiner and 90 Degree Corner are sold separately, special order. Apply adhesive to inside of 90 Degree Corner or outside of Straight Joiner. Ensures adhesive cures per adhesive manufacturer instructions.



2

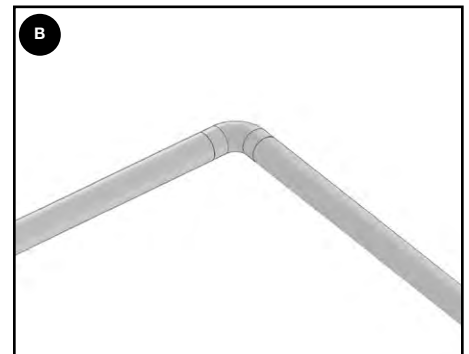
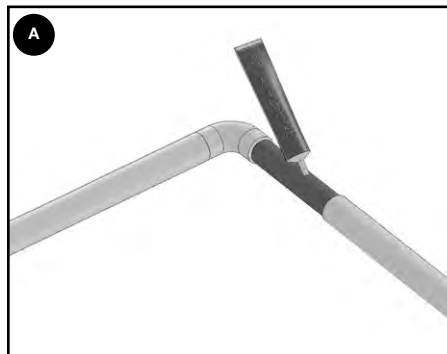
Apply adhesive to outside of Rail Stiffener and slide Handrail over it and fully seat into 90 Degree Corner. Repeat on opposite side of 90 Degree Corner.



TIP: Use a 12-in adjustable pliers to slightly compress the Straight Joiner and insert it into the rail stiffener, then use a dead blow hammer to fully seat the Rail Stiffener. Do not use a metal hammer, as the Rail Stiffener can be mushroomed and make inserting back into the Handrail difficult.

3

Complete corner by applying adhesive to the Rail Stiffener and sliding Handrail over them, fully seating the rail into 90 Degree Corner end.



Design Grid



fiberondecking.com
800.573.8841