

## Required Tools and Supplies:

For wood installation:

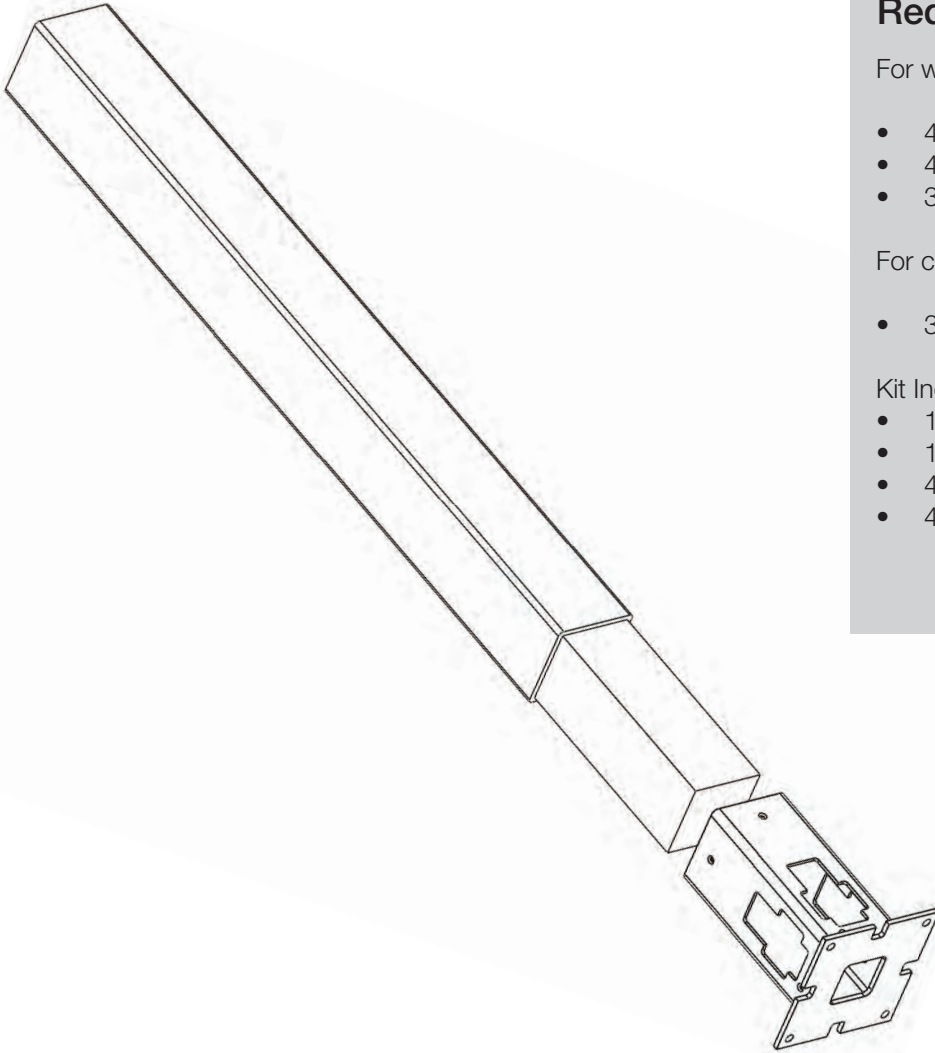
- 4 - galvanised 8 x 127 mm hex bolts
- 4 - 8 mm galvanised nuts
- 3 to 6 - 4.2 x 25 mm flat-head screws

For concrete installation:

- 3 to 6 - 4.2 x 25 mm flat-head screws

Kit Includes:

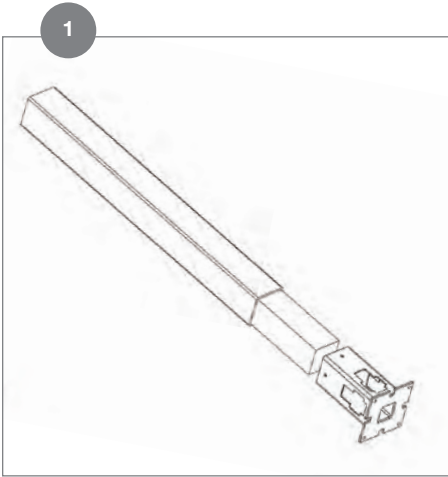
- 1 - surface mount bracket
- 1 - 10 x 10 cm wood post
- 4 - 6.4 x 76 mm Wedge-Bolt™ anchors
- 4 - 8 mm fender washers



Fiberon composite railing systems are designed to work with a number of different decking materials and surfaces. Before initiating any project, obtain a copy of your local building regulations and understand them thoroughly. Local building regulation requirements will always supersede any and all suggested procedures and measurements in the following installation guideline.

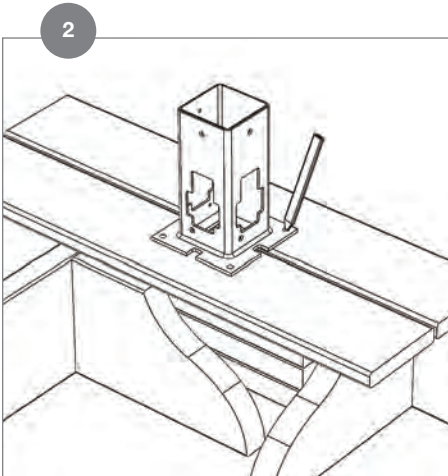
*Note: The Surface Mount Bracket is designed to be securely mounted to a deck structure that meets all applicable codes. The illustrations used in this guideline may not be appropriate in all jurisdictions where the product is sold. To ensure proper fastening, it is recommended that the wood or concrete be a minimum of 10 cm thick underneath the mount unless otherwise specified by local building codes. For more detailed instructions, visit us at [fiberondecking.com](http://fiberondecking.com).*

## For wood installation:

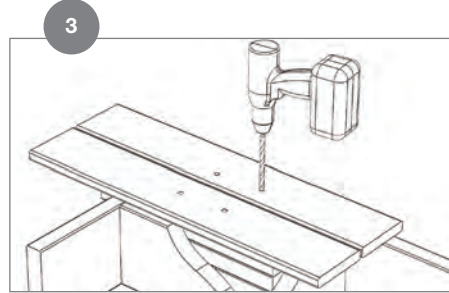


Determine the desired location(s) and finished height of the post sleeve from the deck surface. Trim the post sleeve to the required length.

Trim the non-routed end of the 10 x 10 cm wood post insert if required. The wood post insert is typically 2.5 to 5 cm shorter than the post sleeve length.

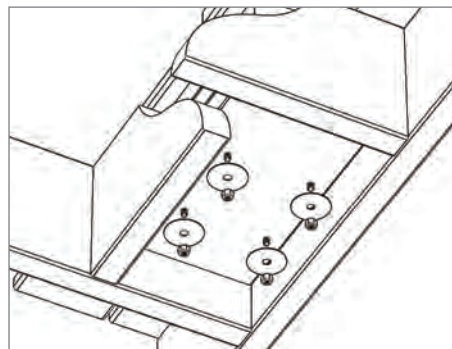
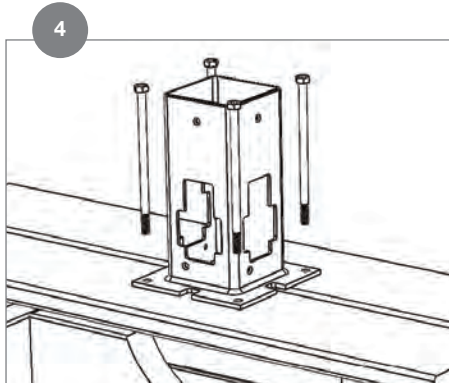


Use the base of the mount as a template and mark the four corner holes on the deck surface. If necessary, mark inside the square of the bracket on the deck surface to create a drainage hole.



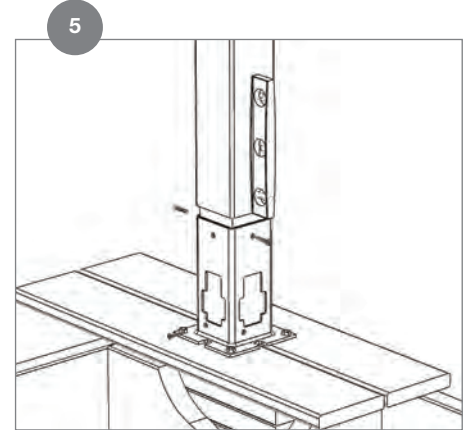
Drill four 1 cm holes at the marked locations, drilling through the deck board and the reinforcement boards. If necessary, drill a 1 cm drainage hole in square through the deck board and the reinforcement boards for drainage.

Align the mount holes over the drilled holes.



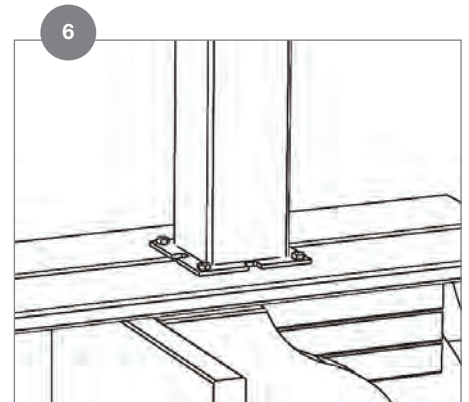
Insert 8 x 127 mm galvanised hex bolts through the bracket holes into the drilled holes and attach a washer and nut to each bolt (galvanised bolts and nuts, not included) under the deck.

Only hand tighten nuts at this time.



Insert the routed end of the 10 x 10 cm wood post insert into the mount, and check for level and plumb.

If necessary, place a shim under the mount to make the post plumb and true. If the wood post insert is loose within the mounting bracket, secure the wood post insert with three 4.2 x 25 mm flat-head screws (not included) on three sides of the mount through the pre-punched holes. Tighten and secure the four bolts underneath the reinforcement boards with the 8 mm fender washer (included in kit) and 8 mm galvanised hex nuts (not included). Do not overtighten.

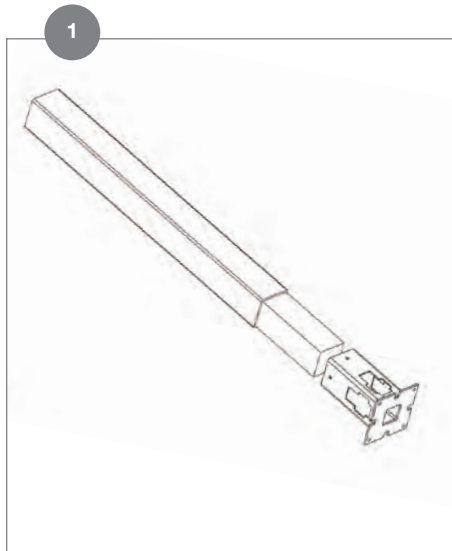


Slide the post sleeve (not included with the mount) over the 10 x 10 cm wood post insert until it contacts the base of the mount.

*Note: If using post skirts, make sure to slide the post skirt over the post sleeve before installing the bottom rail.*

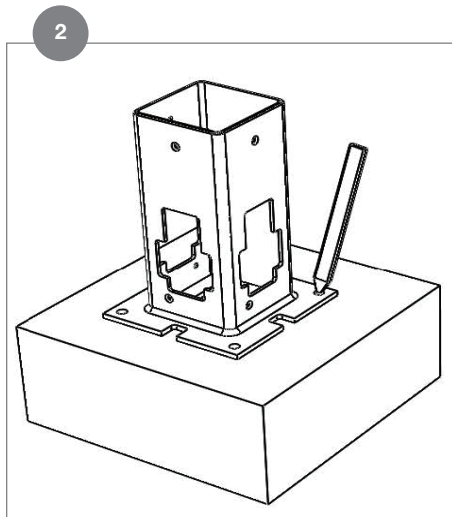
# Post Sleeve Surface Mount with Wood Insert Installation Instructions

## For concrete installation:

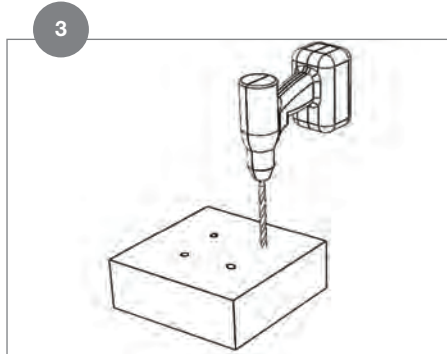


Determine the desired location(s) and finished height of the post sleeve from the deck surface. Trim the post sleeve to the required length.

Trim the non-routed end of the 10 x 10 cm wood post insert if required. The wood post insert is typically 2.5 to 5 cm shorter than the post sleeve length.



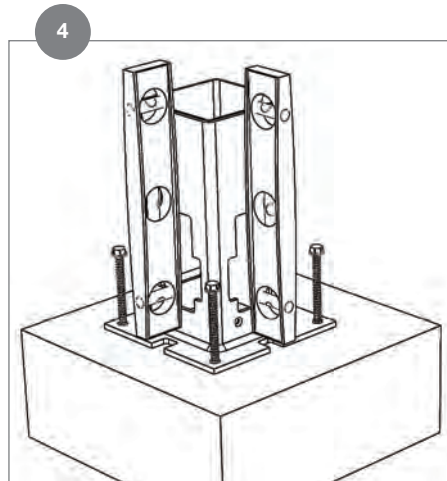
Use the base of the mount as a template and mark the four corner holes for the concrete fastener Wedge-Bolt anchors (included in kit).



Using a 6.4 mm masonry drill bit, drill the holes into the concrete base to a depth of at least 1.25 cm deeper than the length of the 6.4 x 76 mm Wedge-Bolt anchors.

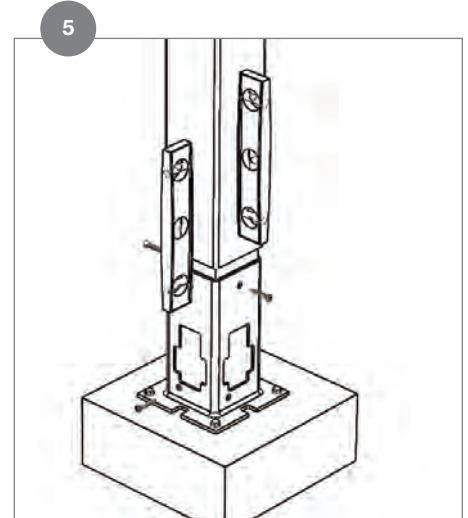
Ensure the holes are clean of dust and debris prior to inserting bolts.

Align the mount holes over the drilled holes.

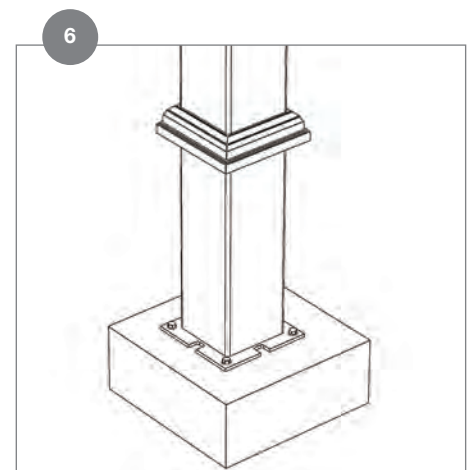


Fasten mount to concrete as required by applicable building codes. Insert the four concrete Wedge-Bolt anchors into the corner holes of the mount. Begin tightening the anchor bolts by rotating clockwise and applying pressure downward towards the mount base. This will engage the first few threads as the anchor bolt begins to advance. Continue tightening until the head of the anchor bolt is firmly seated against the post mount base.

Repeat for the remaining fasteners ensuring the base stays plumb and true.



Insert the routed end of the 10 x 10 cm wood post insert into the mount, and check for level and plumb. If necessary, place a shim under the mount to make the post plumb and true. If the wood post insert is loose within the mounting bracket, secure the wood post insert with three 4.2 x 25 mm flat-head screws (not included) on three sides of the mount through the pre-punched holes.



Slide the post sleeve (not included with the mount) over the 10 x 10 cm wood post insert until it contacts the base of the mount.

*Note: If using post skirts, make sure to slide the post skirt over the post sleeve before installing the bottom rail.*

# Design Grid

---



**fiberon**<sup>®</sup>  
Deck it right the first time.<sup>™</sup>  
[fiberondecking.com](http://fiberondecking.com)