

Features

- Vonse bottom roller door & panel
- 10" sensual wave-style pull handle
- 1/2" (13 mm) and 3/8" (10 mm) thick tempered Clear glass
- Anodized aluminum hardware prevents rusting or corrosion
- Available in one height and two widths

Applicable Codes/Standards

Specified model meets or exceeds the following:

- ASTM C1464-06 and ASTM C1048
- Safety criteria CPSC16 CRF 1201 categories 1 & 2 and ANSI Z97.1
- SGCC Certification required.



3/8" Glass Options

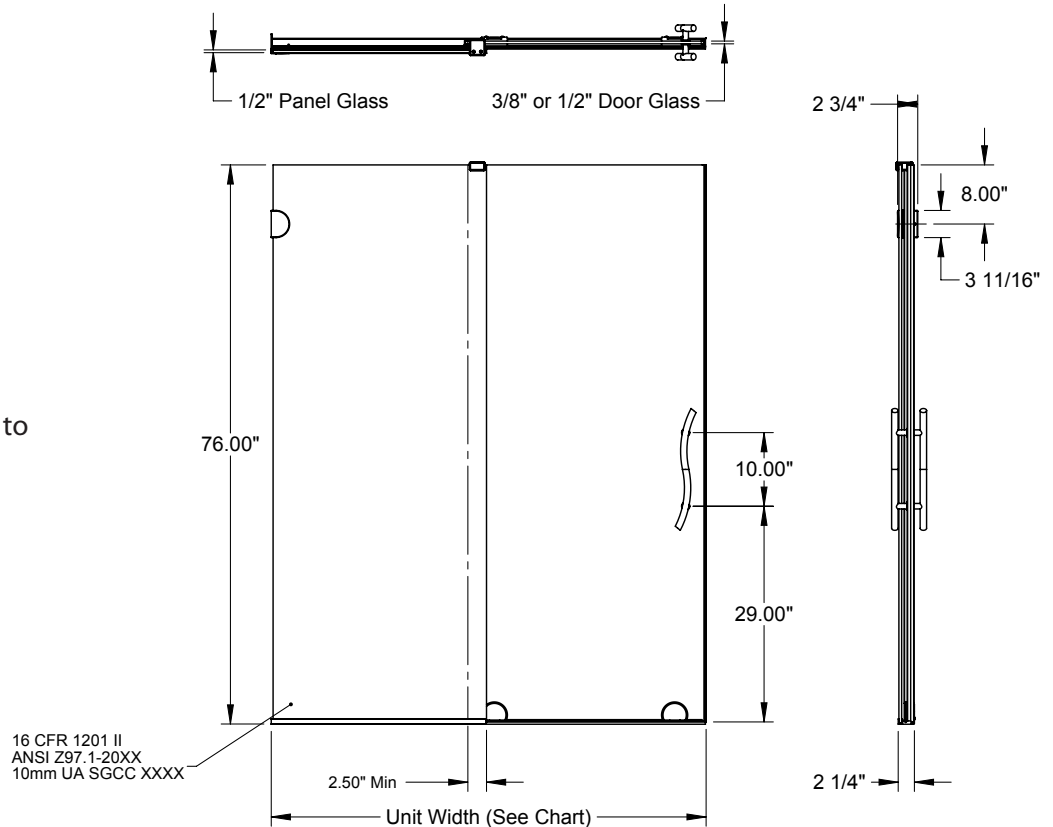
- Clear (CL)
- AquaGlideXP Clear (XP)

Finish Options

- Chrome (SV)
- Brushed Nickel (BN)
- Oil Rubbed Bronze (OR)

Installation Notes

Install this product according to the installation guide.



GLASS SIZING CHART			
Opening Width	Unit Height	Glass Panel Size (Weight)	
		Door (3/8) (1/2)	Panel (1/2)
44" - 48"	76"	26 1/2" x 75 3/8" (70.74 lbs)	29" x 75 13/16" (103.82 lbs)
		26 1/2" x 75 3/8" (94.28 lbs)	
56" - 60"	76"	32 1/2" x 75 3/8" (86.76 lbs)	22 7/8" x 75 13/16" (81.85 lbs)
		32 1/2" x 75 3/8" (115.63 lbs)	