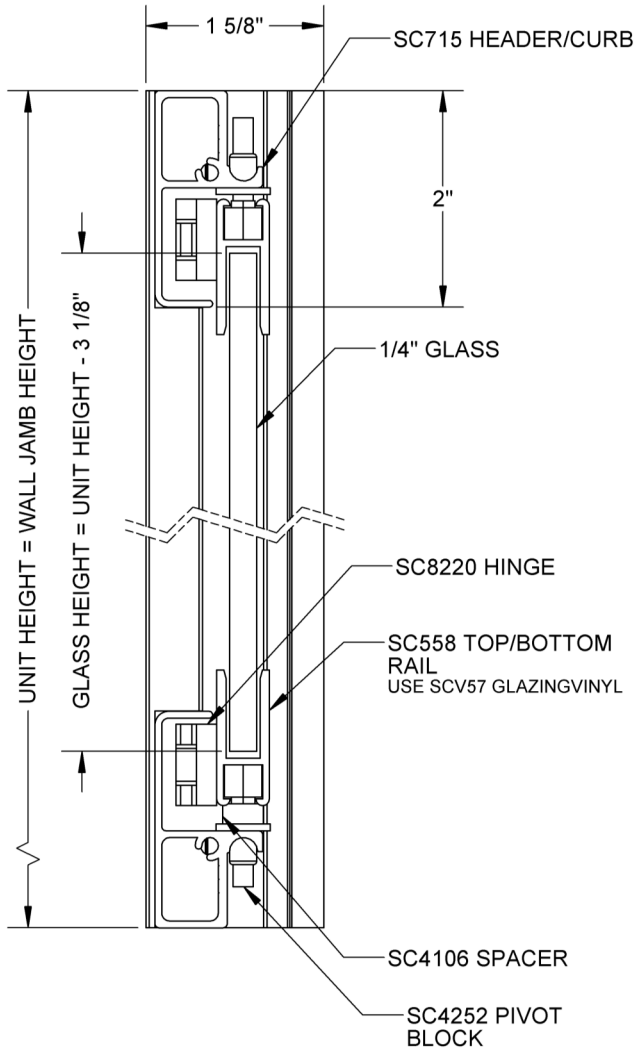
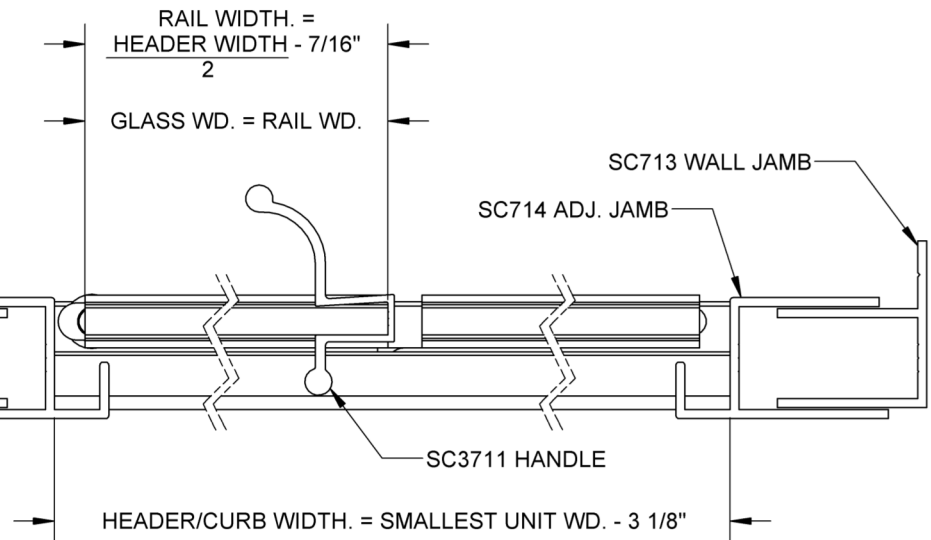


NOTE: GLAZING MATERIAL FOR ALL KD UNITS AND GLAZED UNITS MUST CONFORM TO ANSI Z97.1 AND CPSC STANDARD 16 CFC 1201 CATEGORY 1 & 2

VERTICAL CROSS SECTION



HORIZONTAL CROSS SECTION



1411

Infinity
Semi-Frameless 1/4" Bi-Fold



1-800-45-BASCO
7201 Snider Road
Mason, Ohio 45040