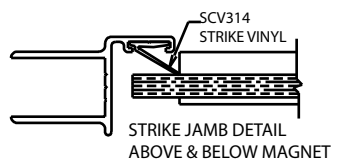
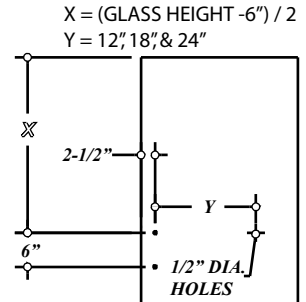


VERTICAL CROSS SECTION

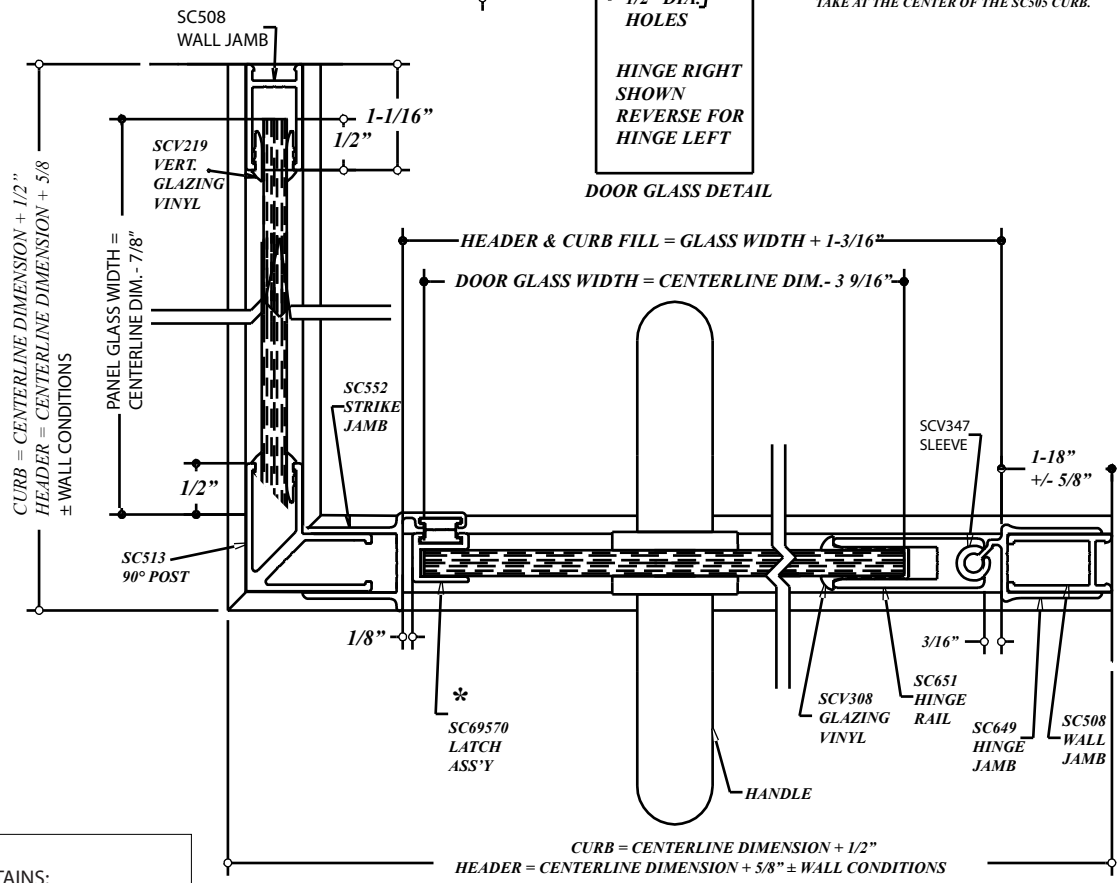


STRIKE JAMB DETAIL ABOVE & BELOW MAGNET



DOOR GLASS DETAIL

- NOTES**
1. GLASS AND OVERLAP OF VERTICAL MEMBERS MAY BE ALTERED TO FACILITATE USE OF STANDARD GLASS SIZES OR FOR OUT OF PLUMB WALL CONDITIONS.
 2. THE SC4030 STRIKE JAMB MAGNET SHOULD BE CENTERED IN THE JAMB WITH SCV314 JAMB SEAL VINYL ABOVE AND BELOW (SEE DETAIL)
 3. TOWELBAR ASSEMBLIES ARE AVAILABLE IN 12", 18", & 24" SIZES. ALL SIZES ARE MEASURED CENTER TO CENTER OF THE MOUNTING HOLES.
 4. CENTERLINE DIMENSION REFER TO THE MEASUREMENTS TAKE AT THE CENTER OF THE SC505 CURB.



HORIZONTAL CROSS SECTION

* NOTE: SC69570 CONTAINS:
SC784 LATCH ; SCV4123 VINYL;
& SC4030 MAGNETS

NOTE: GLAZING MATERIAL FOR ALL KD UNITS AND GLAZED UNITS MUST CONFORM TO ANZI Z97.1 AND CPSC STANDARD 16 CFC 1201 CATEGORY I AND II.

REV. #2
DATE:06/30/08

SERIES	UNIT WIDTH & HEIGHT	DOOR GLASS	PANEL GLASS
1414	1414 36" X 48" X 68 5/8"	WIDTH AS DETERMINED* HEIGHT = 65 3/8"	WIDTH AS DETERMINED* HEIGHT = 67 1/2"
1714	1714 36" X 48" X 72 1/8"	HEIGHT = 68 7/8"	HEIGHT = 71"

BASCO
SHOWER ENCLOSURES
7201 Snider Road - Mason, Ohio 45040
Phone (513) 573-1900 Toll Free 1 (800) 45-BASCO