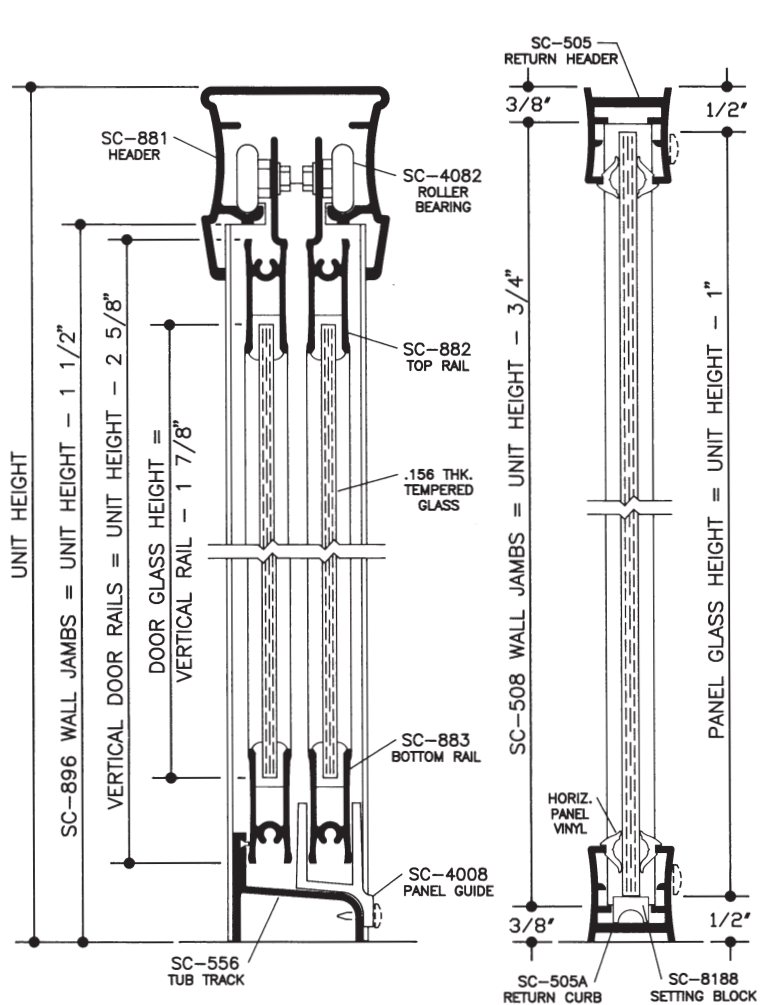
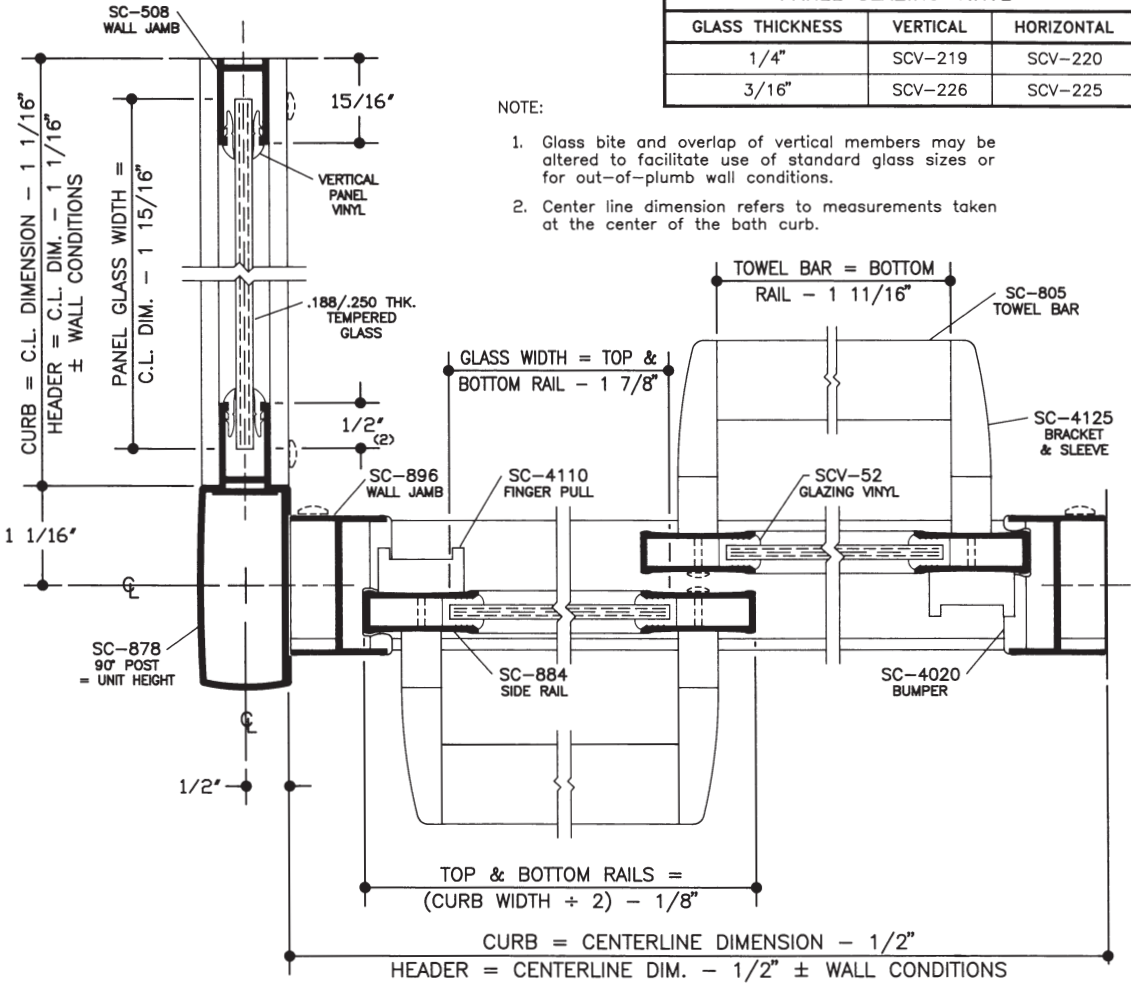


PANEL GLAZING VINYL		
GLASS THICKNESS	VERTICAL	HORIZONTAL
1/4"	SCV-219	SCV-220
3/16"	SCV-226	SCV-225



VERTICAL CROSS SECTION



HORIZONTAL CROSS SECTION

NOTE:

1. Glass bite and overlap of vertical members may be altered to facilitate use of standard glass sizes or for out-of-plumb wall conditions.
2. Center line dimension refers to measurements taken at the center of the bath curb.

CURB = C.L. DIMENSION - 1 1/16"
 HEADER = C.L. DIM. - 1 1/16"
 ± WALL CONDITIONS
 PANEL GLASS WIDTH =
 C.L. DIM. - 1 15/16"
 VERTICAL PANEL VINYL
 15/16"
 .188/250 THK. TEMPERED GLASS
 1 1/2" (2)
 SC-896 WALL JAMB
 SC-4110 FINGER PULL
 SC-884 SIDE RAIL
 SC-878 90° POST = UNIT HEIGHT
 1 1/16"
 1/2"
 TOWEL BAR = BOTTOM RAIL - 1 11/16"
 SC-805 TOWEL BAR
 SC-4125 BRACKET & SLEEVE
 SCV-52 GLAZING VINYL
 SC-4020 BUMPER
 SC-882 TOP RAIL
 SC-883 BOTTOM RAIL
 SC-556 TUB TRACK
 SC-4008 PANEL GUIDE
 SC-505 RETURN HEADER
 SC-505A RETURN CURB
 SC-8188 SETTING BLOCK
 SC-896 WALL JAMBS = UNIT HEIGHT - 3/4"
 SC-881 HEADER
 SC-4082 ROLLER BEARING
 SC-882 TOP RAIL
 .156 THK. TEMPERED GLASS
 SC-883 BOTTOM RAIL
 SC-4008 PANEL GUIDE
 SC-556 TUB TRACK
 UNIT HEIGHT
 VERTICAL DOOR RAILS = UNIT HEIGHT - 2 5/8"
 DOOR GLASS HEIGHT =
 VERTICAL RAIL - 1 7/8"
 PANEL GLASS HEIGHT = UNIT HEIGHT - 1"
 GLASS WIDTH = TOP & BOTTOM RAIL - 1 7/8"
 TOP & BOTTOM RAILS =
 (CURB WIDTH + 2) - 1/8"
 CURB = CENTERLINE DIMENSION - 1/2"
 HEADER = CENTERLINE DIM. - 1/2" ± WALL CONDITIONS

1/2 SIZE DETAIL

NOTE: Glazing material for all K/D units and Glazed units must conform to Ansi Z97.1 and CPSC Standard 16 CFC 1201 Category I and II.

SERIES	MODEL	WIDTH x HEIGHT	DOOR GLASS SIZE	PANEL GLASS SIZE
6151 7151 FRAMED BATH ENCLOSURE	6151 SILVER / GOLD	36" x 66" x 58 1/2"	(2) 31" x 54"	34 1/16" x 57 1/2"
	7151 SILVER / GOLD	36" x 66" x 71 1/2"	(2) 31" x 67"	34 1/16" x 70 1/2"



SHOWER ENCLOSURES

7201 Snider Road ■ Mason, Ohio 45040
Phone (513) 573-1900