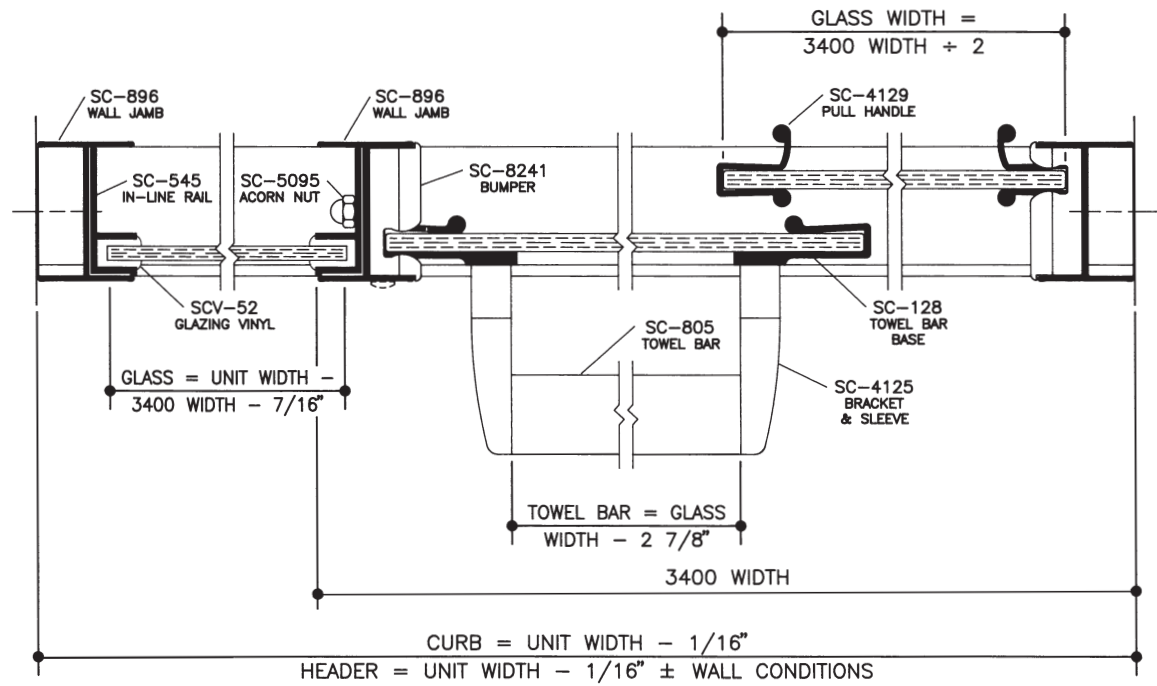


VERTICAL CROSS SECTION



HORIZONTAL CROSS SECTION

1/2 SIZE DETAIL

NOTE: Glazing material for all K/D units and Glazed units must conform to Ansi Z97.1 and CPSC Standard 16 CFC 1201 Category I and II.

SERIES	MODEL	WIDTH x HEIGHT	DOOR GLASS SIZE	PANEL GLASS SIZE
<b>3403</b> <b>3503</b> FRAMELESS BATH ENCLOSURE	3403	12" x 60" x 57"	(2) 30" x 54"	11 9/16" x 54 3/4"
	3503	12" x 60" x 70"	(2) 30" x 67"	11 9/16" x 67 3/4"



7201 Snider Road ■ Mason, Ohio 45040  
Phone (513) 573-1900