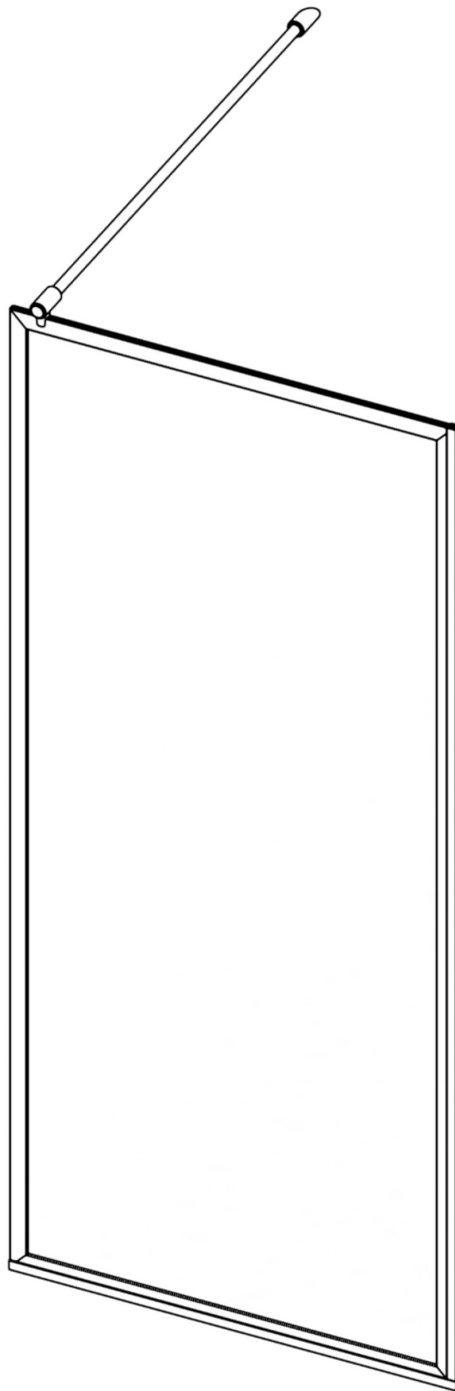


FRAMED SHOWER SCREEN

QCI-5331

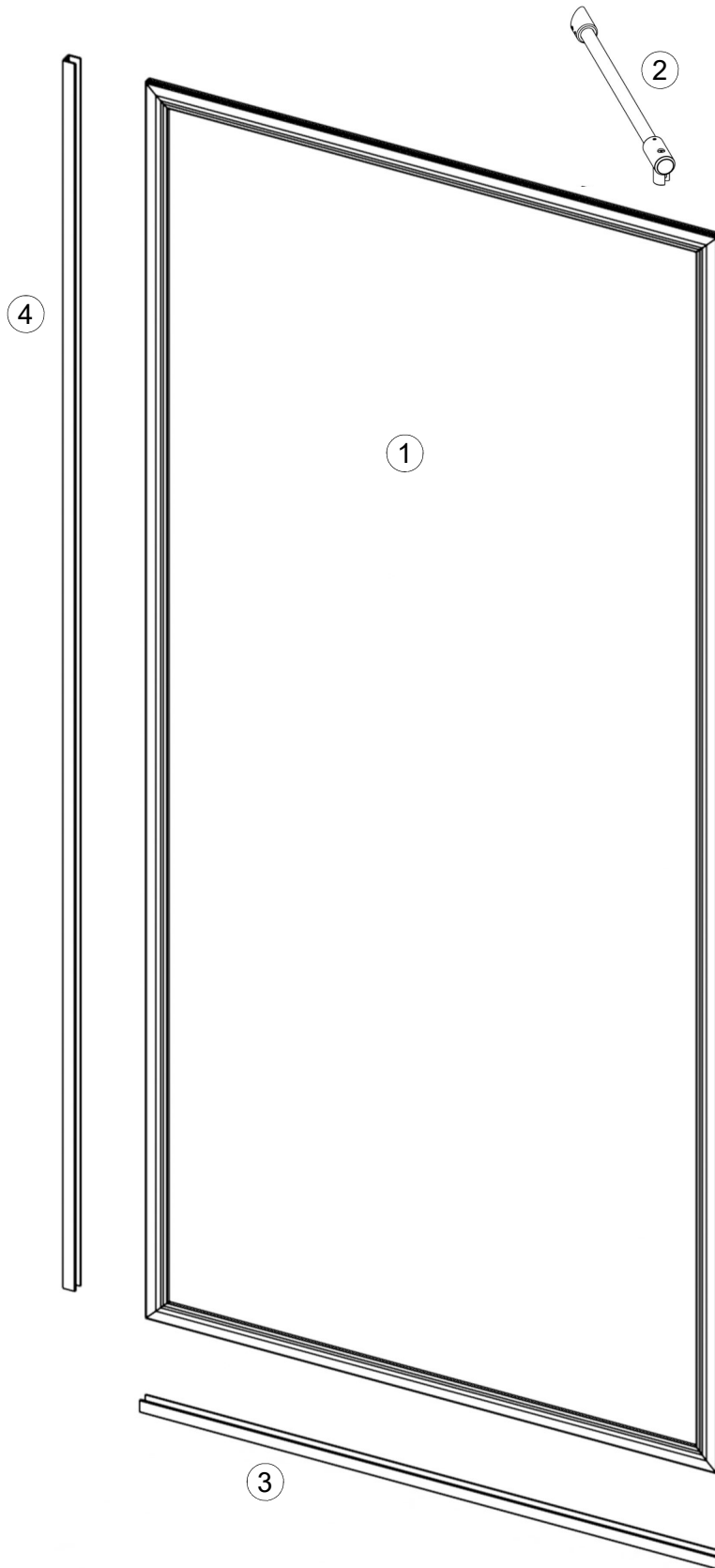


Parts List

ITEM NO.	DESCRIPTION	PART NUMBER	QTY.
1	FRAMED PANEL	SP410	1
	SIDE METAL	SC900	2
	TOP AND BOTTOM METAL	SC899	2
	GLAZING SCREW	SCR05	4
	GLAZING VINYL	SCV57	
2	SUPPORT BAR	RODAU-951	4
3	FLOOR U-CHANNEL	SC912	1
4	WALL U-CHANNEL	SC912	1
*	#8 X 1 1/2 TRUSS HEAD SCREW	SCR10	6
*	PLASTIC WALL ANCHOR	SC4106	6
*	1/16 SETTING BLOCK	SCV924	8
*	#6 MOUNTING SCREW	SCR24	6

* For clarity, not shown. Quantity listed is included, but less maybe required for your installation

Exploded View with wall mount clamp



Tools:

To install your New Shower Enclosure, you may need the following:

- Pencil
- Low Tack Tape
- Tape Measure
- 4' & 6' Levels
- #2 Phillips Screwdriver
- Drill
- 1/8" & 3/16" Drill Bit
- Center Punch
- Files
- Hack Saw
- Caulk Gun
- Clear Silicone Caulk
- Suction Cups

Safety Notes:

- This unit is best installed by two people.
- Handle the glass panels carefully and protect the edges. Safety tempered glass is very resistant to breakage, but the sharp corners of the panels can damage tile and flooring surfaces.
- The glass can break if unequal pressure is applied during installation.
- Please wear safety glasses whenever drilling or cutting. When drilling holes in ceramic tile or marble, use a center punch and hammer to carefully break the glazed surface to prevent skidding when drilling.

NOTE: Tempered glass cannot be cut.

Installation Notes:

- U-Channel maybe installed using wall plugs where no backing is found.
- Use caution to not pierce plumbing or electric lines while installing door hardware.
- Cover the drain with tape prior to installation to prevent loss of small parts.
- Unpack your unit carefully and inspect for freight damage. Lay out and identify all parts using the instruction sheet as a reference. Before discarding the carton, check to see that no small hardware parts have fallen to the bottom of the box. If any parts are damaged or missing, refer to the description noted in the instructions when contacting your dealer for replacements.

Maintenance:

Two primary materials are used to manufacture your new shower enclosure: tempered glass and anodized aluminum. To assure a long lasting finish on the enclosure, wipe it down with a towel after each use.

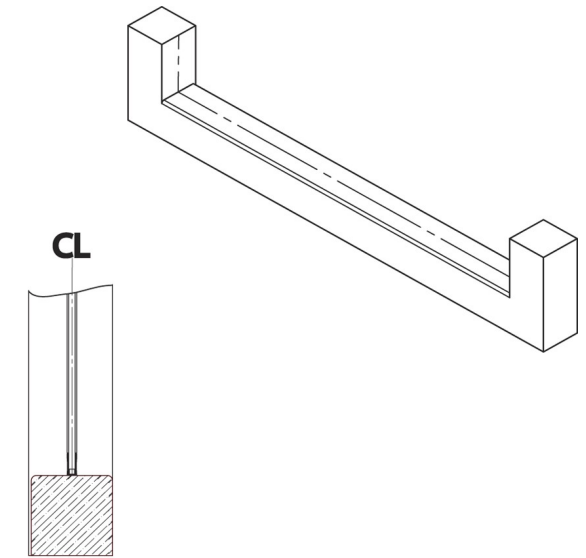
For occasional, more concentrated cleaning efforts, we find that **Lysol® Non-Abrasive Bathroom Cleaner** works extremely well. Be sure that any over spray falling on the aluminum frame is rinsed thoroughly and dried. Many over-the-counter cleaners, if applied to the aluminum and left on, will harm the metal finish and cause permanent damage even though their directions indicate safe use on shower doors. Never use a scouring agent to clean the aluminum.

For units with **AquaglideXP** please use Maintain spray from the maintenance on the glass. Please contact customer service for details and to purchase the maintenance kit.

If a continuous unit centerline does not exist from the original measuring process, it will be necessary to create one. Referencing the Measuring Guide included with this unit, lightly mark a continuous unit centerline on the threshold.

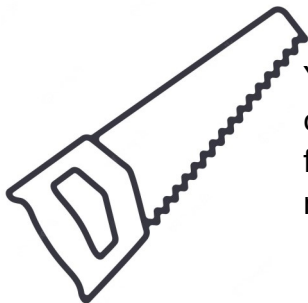
Next, mark a continuous unit centerline up each wall, starting where the threshold centerline meets the wall. Use a level to ensure the wall centerline is plumb and straight. The wall centerlines should be a minimum of the unit height from the threshold.

Note: Centerline (CL) is a term used to describe the center or mid-point of the unit. The position of the unit centerline can be located anywhere in the width of the threshold, as long as adequate structure exists beneath the centerline for fastening and the outer edges of the unit will not overhang the threshold. The most common unit centerline position is the middle of the threshold.

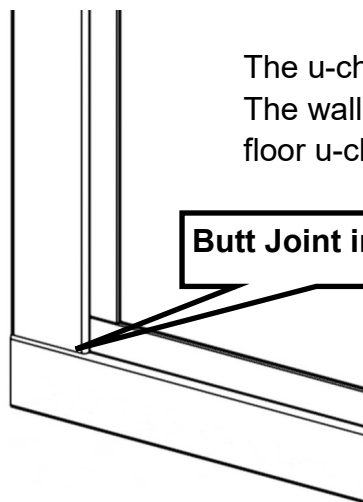


Unit Cross Section

Note: It is extremely important the unit centerline be continuous and straight to ensure proper installation.

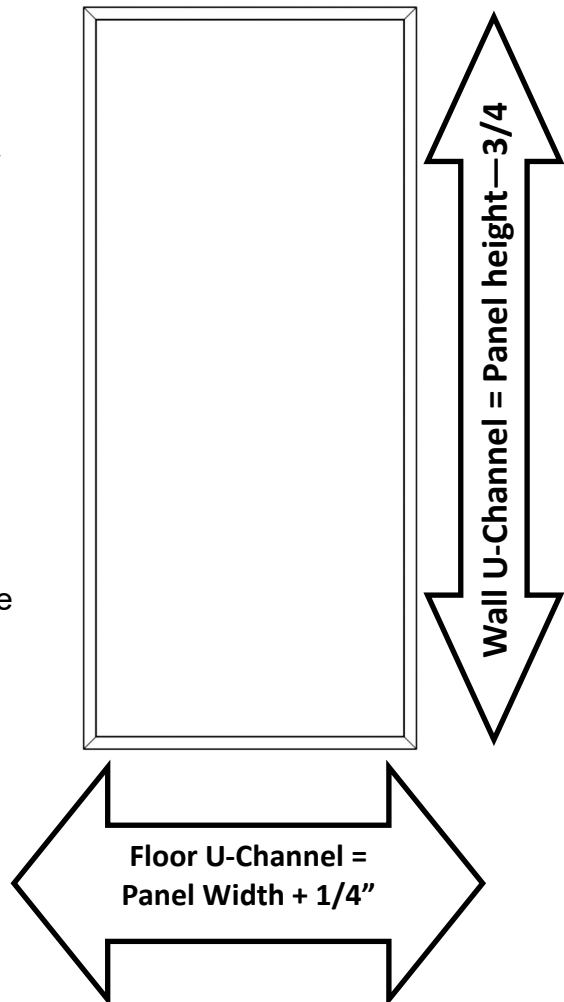


You may be required to cut the u-channel to fit your install. File the floor u-channel as needed to fit any rounded corners.



The u-channel meets in a butt joint. The wall u-channel sits on top of the floor u-channel.

Butt Joint in Corner

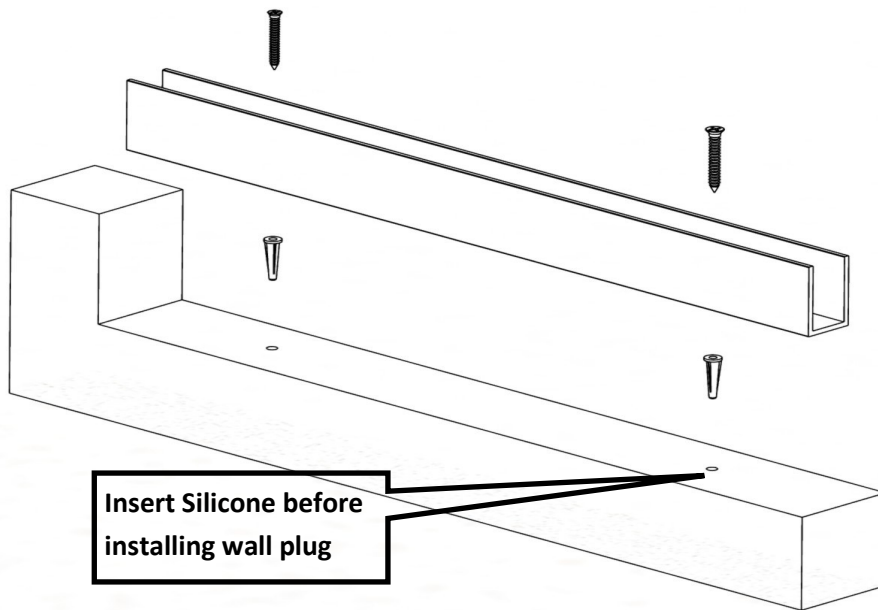


Mark locations in each piece of u-channel to predrill 3/16" holes for mounting screws. Each piece of u-channel requires a minimum of two (2) screws, 3" from each end for lengths less than 24". Lengths over 24" we recommend an additional screw in the center of the piece.

With a pencil, carefully mark each hole position on the threshold centerline. Remove the U-Channel and drill a 3/16" diameter hole, approximately 1-1/2" deep, at the marked locations.

Insert a small amount of silicon into each drilled hole, then insert a wall anchor into each hole. (Note: Drill hole, then insert a wall anchor.) This must be done just before u-channel installation.

Carefully cut the heads off the wall anchors with a razor blade.

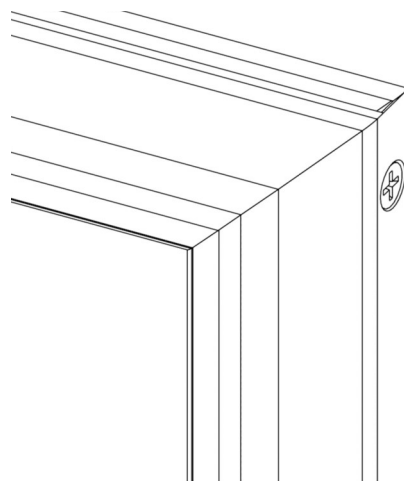


Using #8 x 1-1/2" truss head screw from the hardware pack, install the u-channel on the floor first. Follow by installing the u-channel on the wall.

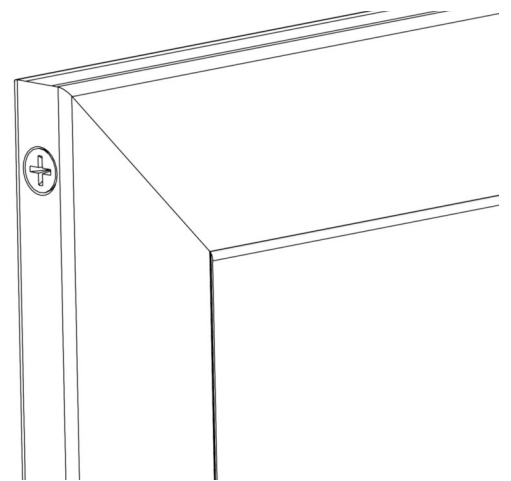
Use caution not to overtighten the screws.



Traditional



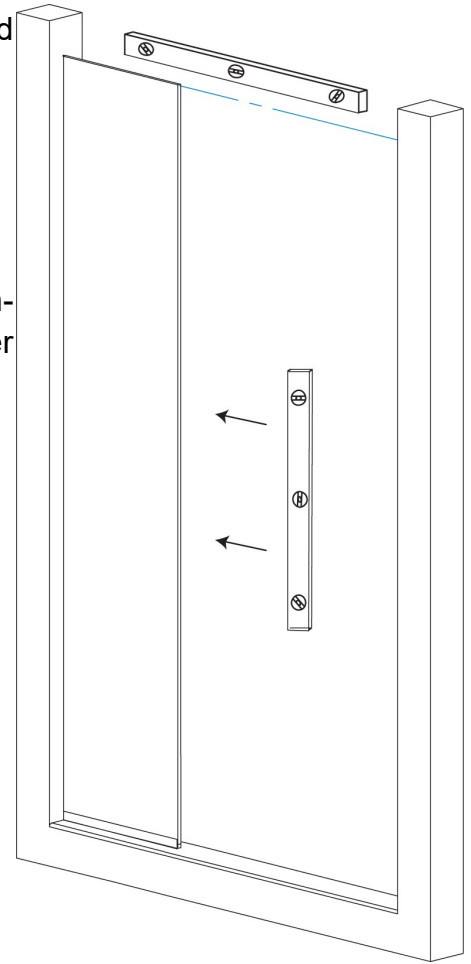
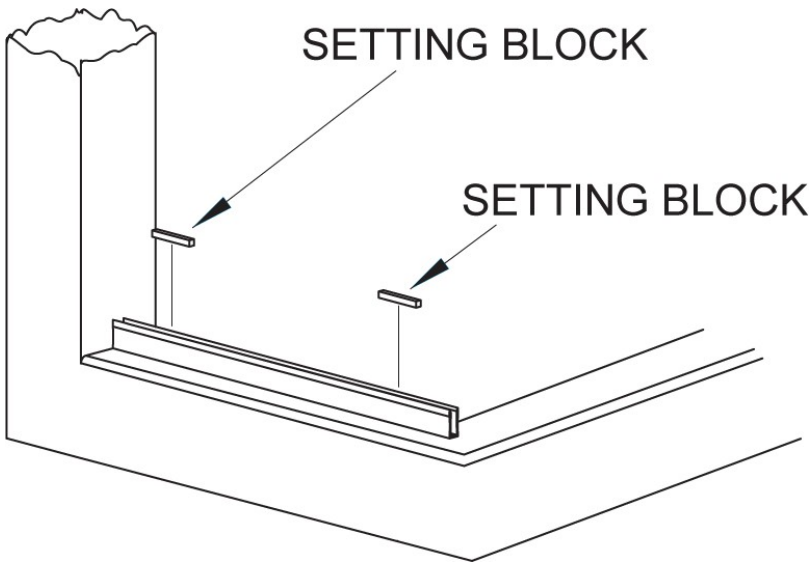
Modern



The panel is reversible: 1 side is traditional and has some additional profiles on the frame. The other is a modern flat profile. It is up to the customer which side faces out of the shower.

Temporarily set the panel into the u-channel. Check the exposed edges for level and plumb.

If necessary, remove the panel and add setting blocks under the panel to adjust. You may have an uneven number of setting blocks under the panel.

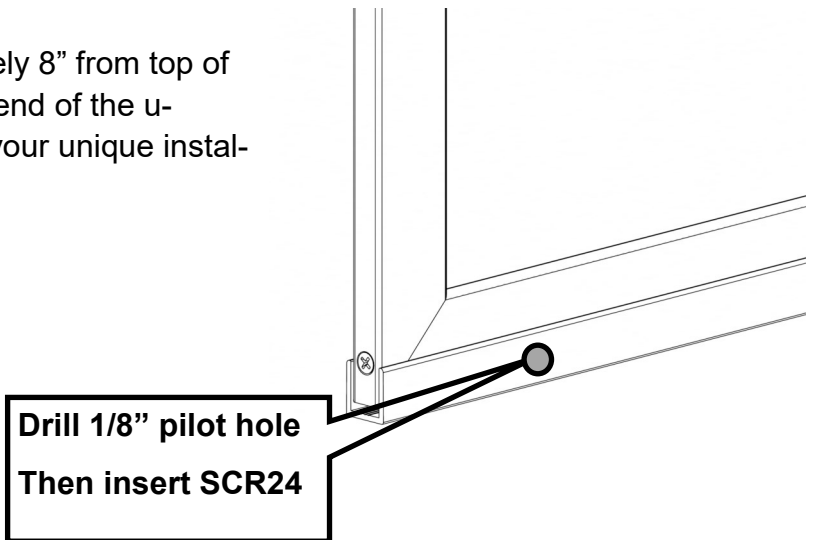


Inside the shower, mark and drill 1/8" holes through the first layer of u-channel and the panel frame work only.

**** DRILL THROUGH ONLY 2 LAYERS OF METAL. DO NOT DRILL TO OUTSIDE OF SHOWER****

Recommend 3 holes: 1 on wall, approximately 8" from top of unit. 2 on floor, approximately 4" from each end of the u-channel. More may be necessary based on your unique installation

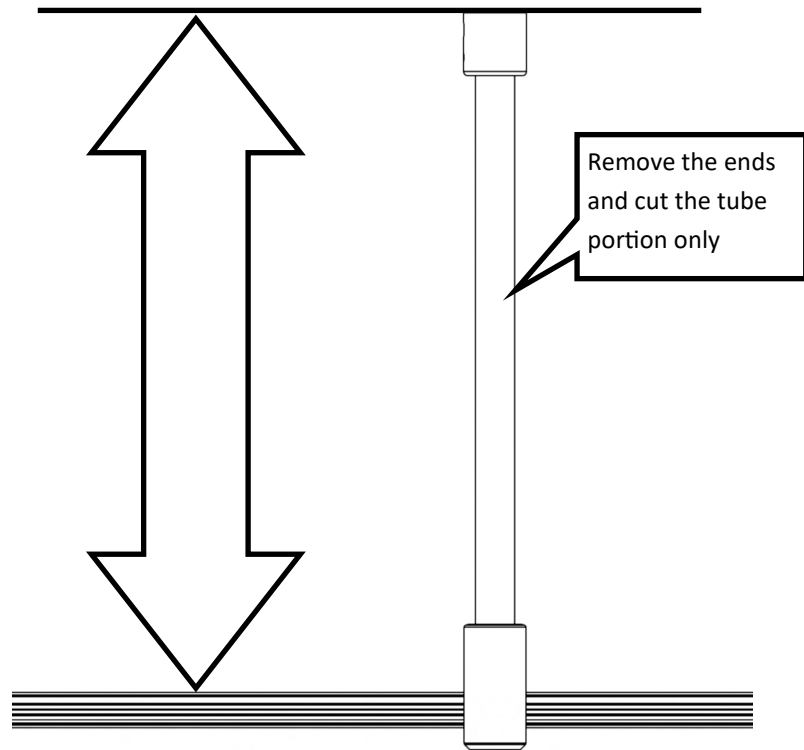
Insert 1 SCR24 mount screw in each pilot hole



Measure from the wall to the inside surface of the panel.

Remove the ends of the support bar and cut the support bar tube to 1-1/2" less than this measurement.

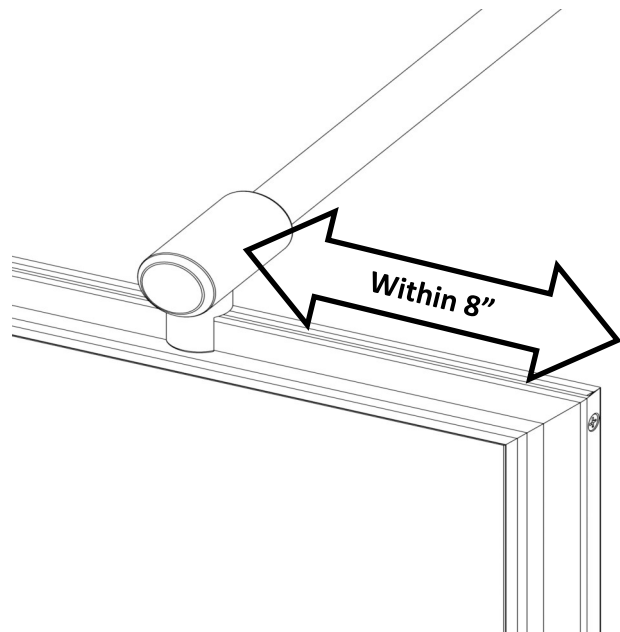
Replace the ends of the support bar



Place the support bar within 8" of the unsupported corner of the panel.

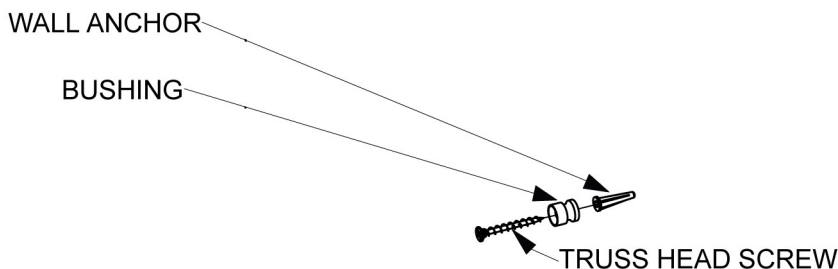
Rotate the support bar to meet the wall. With a pencil mark the location of the support bar. Remove the support bar to drill the mounting hole.

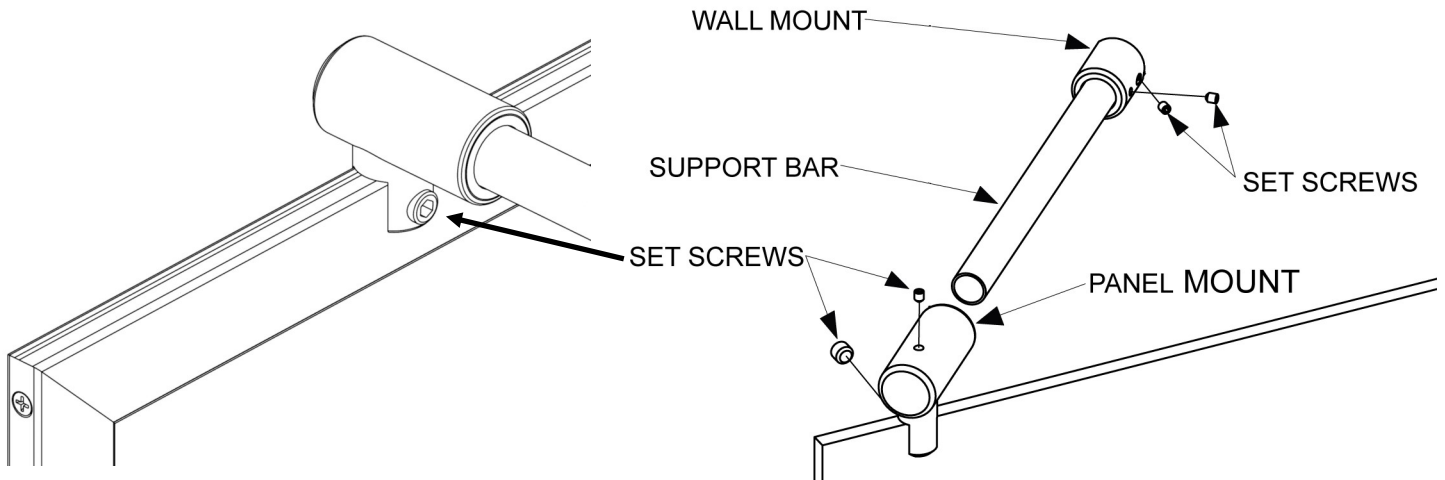
Drill a 3/16" diameter hole, approximately 1-1/2" deep at center of the marked location.



Insert a small amount of silicon into each drilled hole, then insert a wall anchor into each hole.

Using a screw from the support bar kit, mount the bushing to the wall.

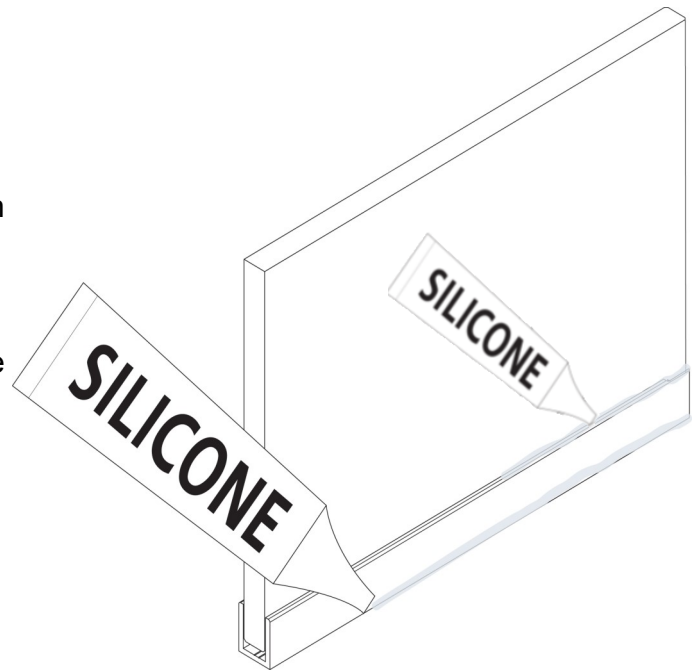




Tighten all screws securing the support bar to the panel, the ends, and the wall.

On the interior, run a bead of silicone between the u-channel and the threshold and the wall.

Also run a small bead of silicone where the panel and u-channel meet.



NOTE: DO NOT USE the shower until the silicone is completely cured. Check the tube of silicone for the manufacturer recommended cure time (typically 24 - 48 hours).