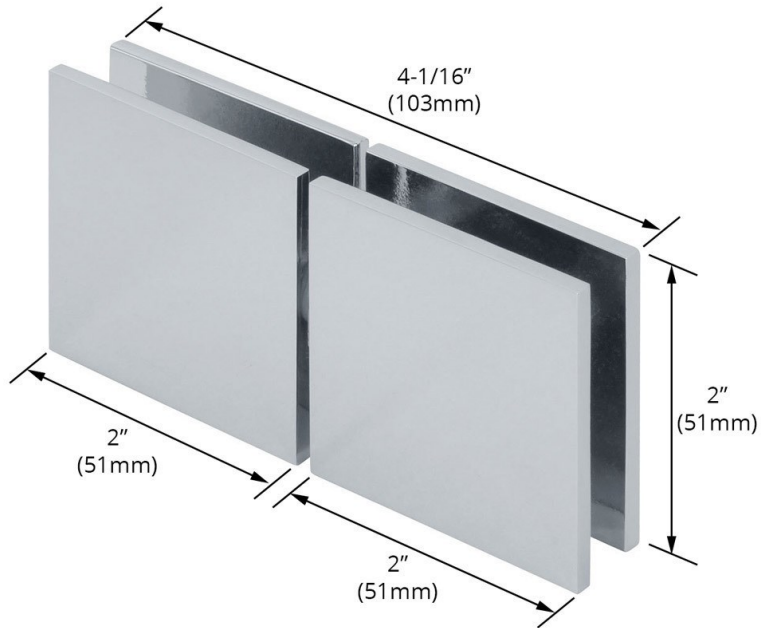


Dimensions:



Specifications:

Glass Thickness: 3/8" (10mm) to 1/2" (12mm)

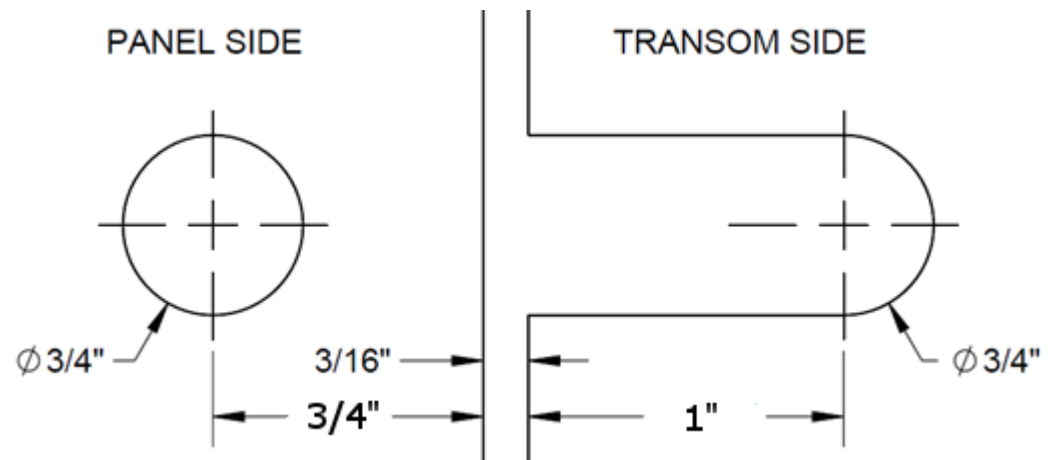
Construction: Solid Brass

Cutout Required

Includes: Gaskets and mounting screws

Glass to Glass Gap: 3/16"

Glass cutout specification:



CELGS-380

Beveled Glass To Glass Operable Transom Clamp



1-800-45-BASCO
7201 Snider Road
Mason, Ohio 45040