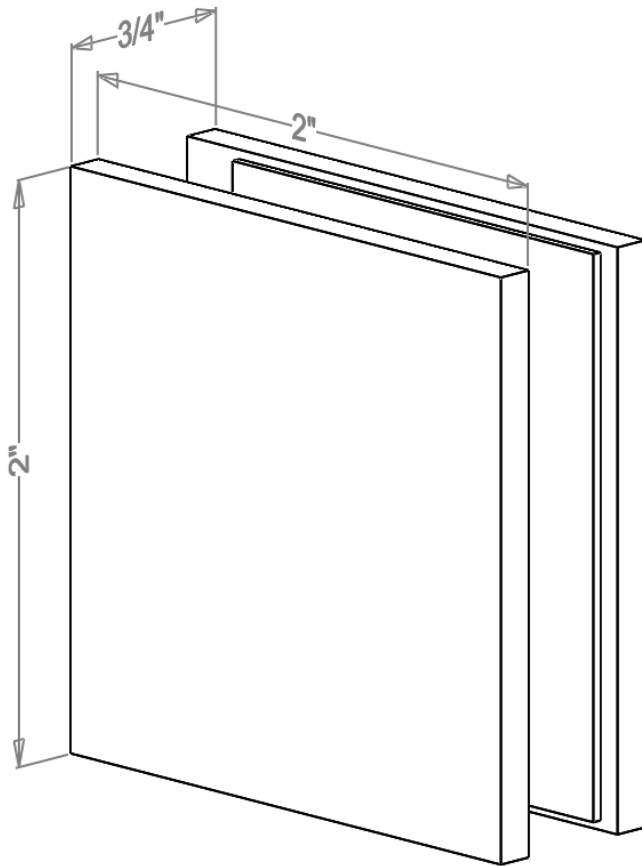


## Dimensions:



## Specifications:

**Glass Thickness:** 3/8" (10mm) to 1/2" (12mm)

**Construction:** Solid Brass

**Cutout Required**

**Includes:** Gaskets and mounting screws

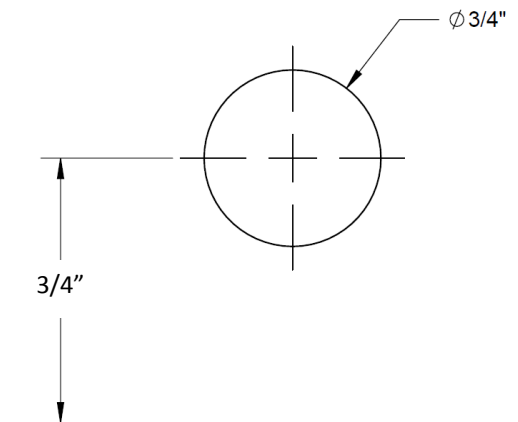
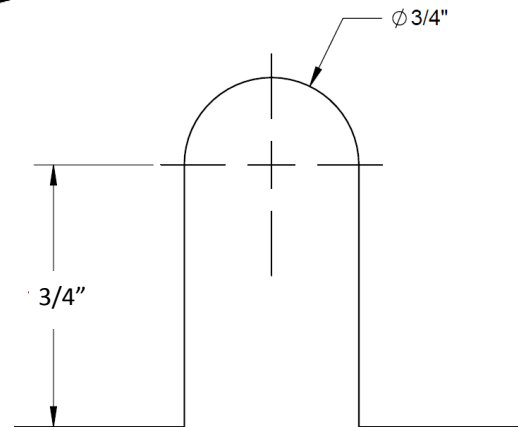
**Wall to Glass Gap:** 3/16"

## Glass cutout specification:

Use either option

Hole Option:

Notch Option:



DREGS-000

Square Wall Mount Clamp



1-800-45-BASCO  
7201 Snider Road  
Mason, Ohio 45040