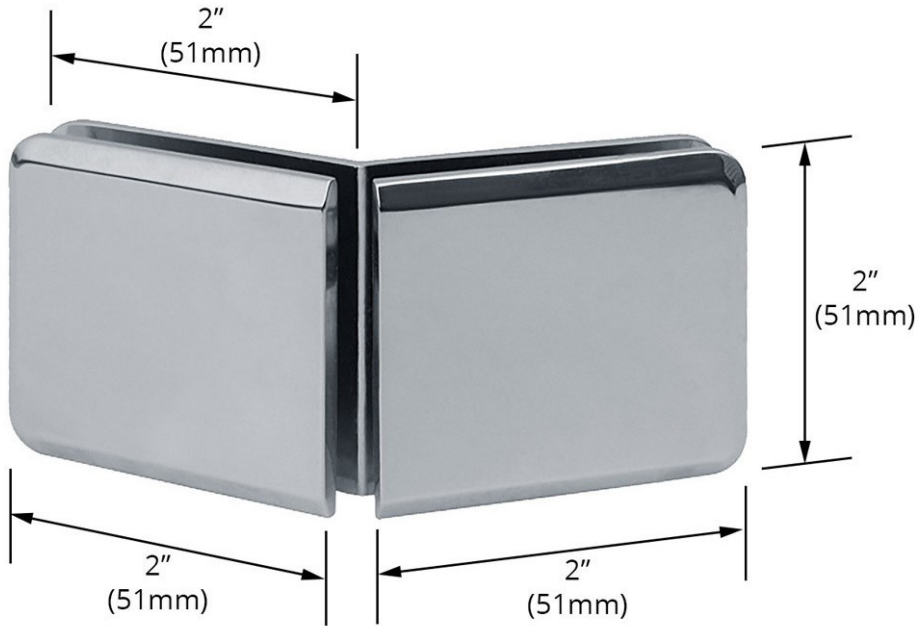


**Dimensions:**



**Specifications:**

**Glass Thickness:** 3/8" (10mm) to 1/2" (12mm)

**Construction:** Solid Brass

**Cutout Required**

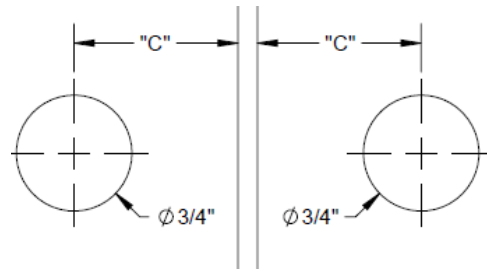
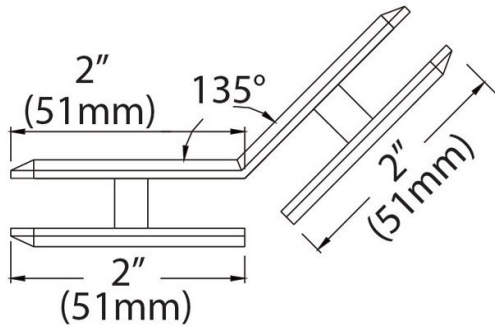
**Includes:** Gaskets and mounting screws

**Glass to Glass Gap:** 1/16"

**Glass cutout specification:**

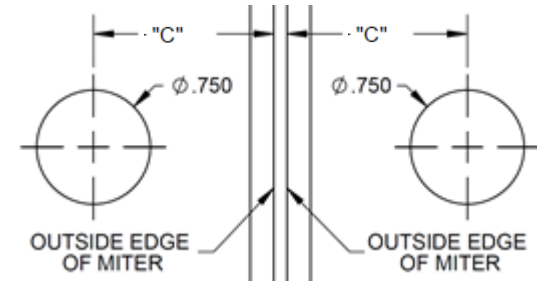
Template For Square Cut Glass:

Glass Thickness	"C"
3/8"	1"
1/2"	1"



Template For Mitered Cut Glass:

Glass Thickness	"C"
3/8"	1-1/8"
1/2"	1-3/16"



CELGS-135

Beveled Glass To Glass 135° Corner Clamp



1-800-45-BASCO  
7201 Snider Road  
Mason, Ohio 45040