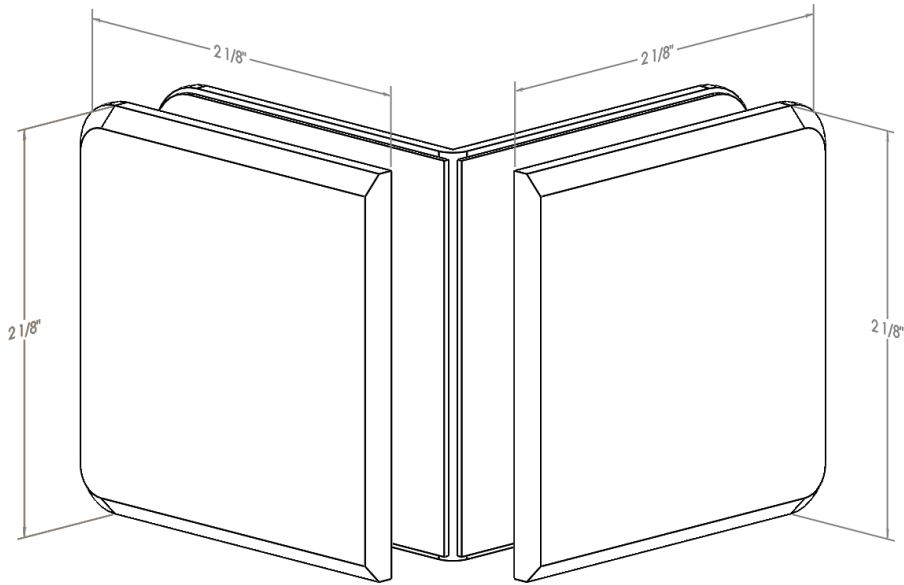


Dimensions:



Specifications:

Glass Thickness: 3/8" (10mm) to 1/2" (12mm)

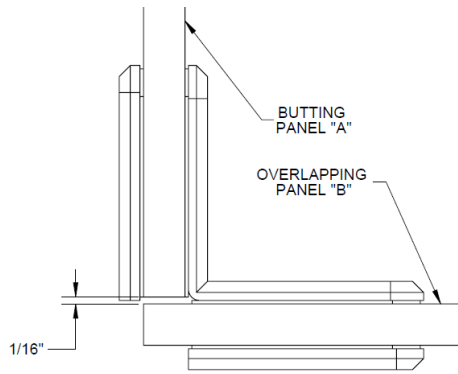
Construction: Solid Brass

Cutout Required

Includes: Gaskets and mounting screws

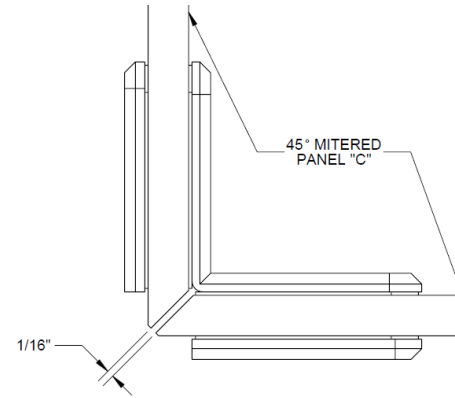
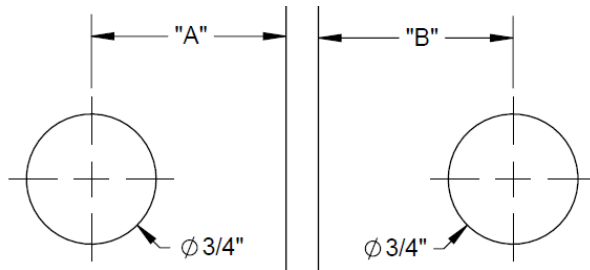
Glass to Glass Gap: 1/16"

Glass cutout specification:



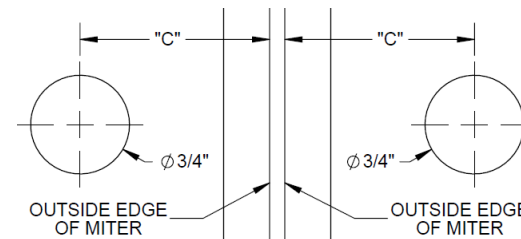
Template For Square Cut Glass:

Glass Thickness	"A"	"B"
3/8"	1-1/8	1-1/2
1/2"	1-1/8	1-5/8



Template For Mitered Cut Glass:

Glass Thickness	"C"
3/8"	1-7/16
1/2"	1-9/16



CELGS-090

Beveled Glass To Glass 90° Corner Clamp



1-800-45-BASCO
7201 Snider Road
Mason, Ohio 45040