

**Product Specifications**

**Combination Convertible Service Above Refrigerated Self-Service Case**



MODEL SHOWN: HMBC4-QS  
 W/ CUTAWAY END PANEL

NOTE: NON-DIVIDED UPPER DISPLAY AREA - HMBC2-QS & HMBC3-QS  
 DIVIDED UPPER DISPLAY AREA - HMBC4-QS, HMBC5-QS & HMBC6-QS

	Lengths include end panels
<input type="checkbox"/> HMBC2-QS	26-3/4"L x 34-1/8"D x 56-1/4"H
<input type="checkbox"/> HMBC3-QS	38-3/4"L x 34-1/8"D x 56-1/4"H
<input type="checkbox"/> HMBC4-QS	50-3/4"L x 34-1/8"D x 56-1/4"H
<input type="checkbox"/> HMBC5-QS	62-5/8"L x 34-1/8"D x 56-1/4"H
<input type="checkbox"/> HMBC6-QS	75-1/8"L x 34-1/8"D x 56-1/4"H

**STANDARD FEATURES**

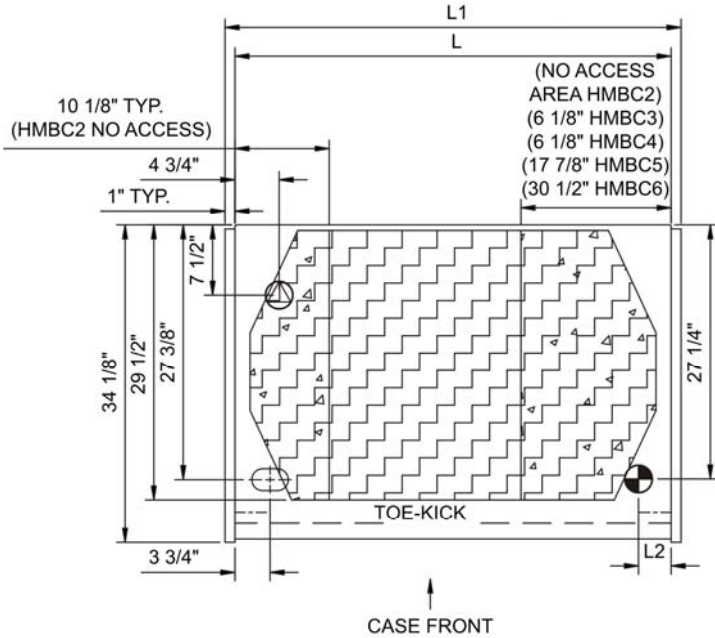
- Breeze™ w/EnergyWise s/c refrigeration
- Clear glass shelf, lighted (T-8) in upper display
- Compressor air rear intake, front discharge. Toe kick cannot be blocked
- Condensate pan (self-contained refig. only)
- Convertible baffle in upper display
- Curved double pane, lift-up front glass w/o lock
- Cutaway end panel
- Flat front panel
- Integrated average product temperature of 40°F or less
- One year parts & labor; 5 year compressor warranty
- Rear sliding doors (26" model swinging)
- T-8 top & shelf lights

Features	Standard	Options
<b>EXTERIOR COLOR</b>	<input type="checkbox"/> Laminated (non-premium) Confirm pattern/grain direction	
<b>INTERIOR COLOR</b>	<input type="checkbox"/> Black	
<b>REAR EXTERIOR COLOR</b>	<input type="checkbox"/> Painted - White	
<b>TRIM COLOR</b>	<input type="checkbox"/> Black	
<b>BASE</b>	<input type="checkbox"/> Levelers	
<b>LOWER REAR</b>	<input type="checkbox"/> Solid back panel	
<b>UPPER REAR</b>	<input type="checkbox"/> Clear glass rear sliding doors w/o lock (26" model swinging) (specify LH or RH hinge)	
<b>ELECTRICAL CONNECT</b>	<input type="checkbox"/> 6' straight blade power cord (self-cont.)	
<b>REFRIGERATION</b>	<input type="checkbox"/> Breeze™ w/EnergyWise s/c refrigeration	

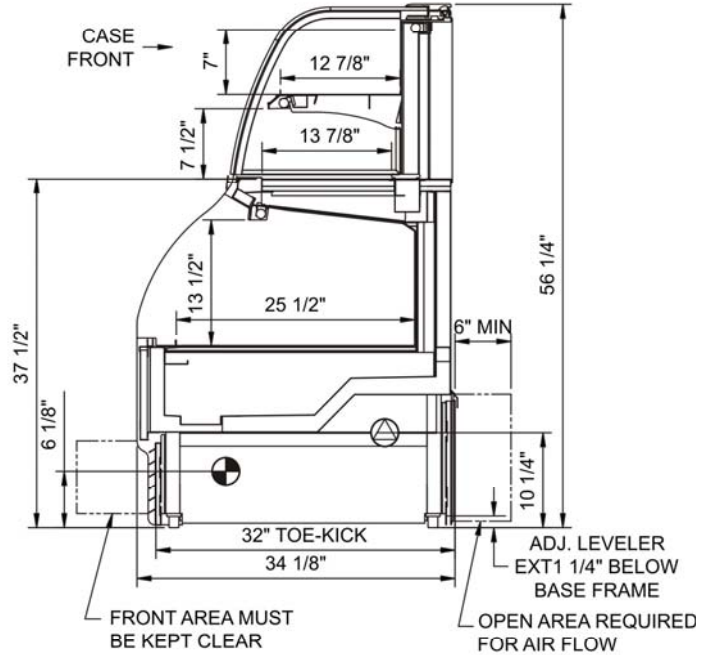
## Product Specifications

<b>Intended Environment:</b> Type I - Designed to operate in ambient conditions of 75°F with 55% relative humidity unless noted otherwise in system information below.	
<b>Zone</b>	<b>Integrated Prod Temp ° F</b>
All	Packaged refrigerated products
	40

**PLAN VIEW**



**SIDE VIEW**



**NOTE: ALL DIMENSIONS APPROXIMATE**

ELECTRICAL JUNCTION BOX (SUPPLIED WITH 6" LEADS OR POWER CORD).  
 LOCATION OF DRAIN TUBE FOR REMOTE REF. ONLY (SUPPLIED WITH 3/4" OR 1 1/2" PVC TUBE).

REFRIGERATION LINE CONNECTION.  
 REMOTE FLOOR SINK & UTILITIES ACCESS AREA.

SELF-CONTAINED CASE SERVICE ACCESS AREA.  
 DRY CASE SERVICE ACCESS AREA.

**Model Technical Specifications**

Model	L"	L1"	L2"	System Circuit Volts	Phs	Freq	Amps ***	Watts	Wires	NEMA Plug	SST	BTUH	Ship Wt	Frt Cls		
HMBC2-QS	N/A	26.75	3.50	Self-Contained	Circuit #1	110-120	1	60	14.92	1,415	2+G	5-20P or L5-20P	N/A	N/A	N/A	110
HMBC3-QS	N/A	38.75	3.50	Self-Contained	Circuit #1	110-120	1	60	15.84	1,502	2+G	5-20P or L5-20P	N/A	N/A	N/A	110
HMBC4-QS	N/A	50.75	3.50	Self-Contained	Circuit #1	120/230V	1	60	10.50	1,868	3+G	14-20P or L14-20P	N/A	N/A	950	110
HMBC5-QS	N/A	62.63	3.50	Self-Contained	Circuit #1	120/230V	1	60	12.00	2,300	3+G	14-20P or L14-20P	N/A	N/A	1,200	110
HMBC6-QS	N/A	75.13	3.50	Self-Contained	Circuit #1	120/230V	1	60	13.71	2,242	3+G	14-20P or L14-20P	N/A	N/A	1,250	110

\*\*\* Does not include electric defrost on freezer models.

Regulatory Approvals:	
All Models	Accordance with AHRI Std 1200 ETL Listed to UL 471 ETL Listed to CAN/CSA 22.2 No. 120 ETL Sanitation to NSF 7

**Important Notes:**

- 1) ELECTRICAL NOTE: If GFCI is required, a GFCI breaker MUST be used in lieu of a GFCI receptacle
- 2) 35" Minimum door entry clearance required (without shipping skid).



In Accordance with  
**AHRI Std 1200**

**DOE 2012**  
Energy Efficiency  
Compliant